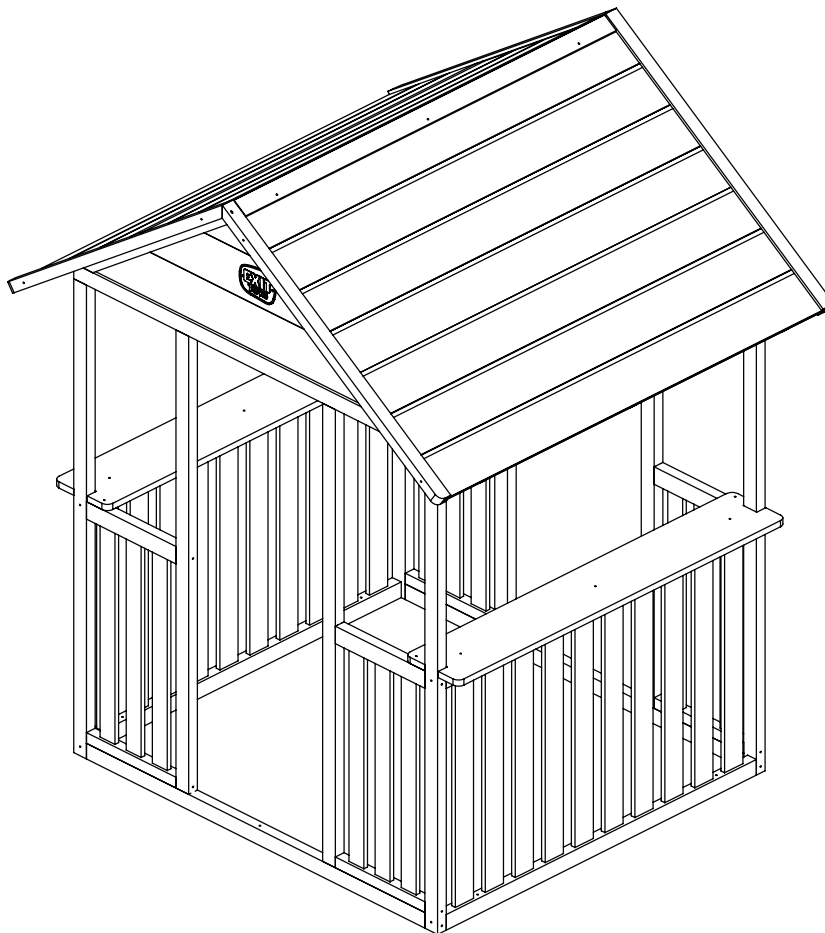


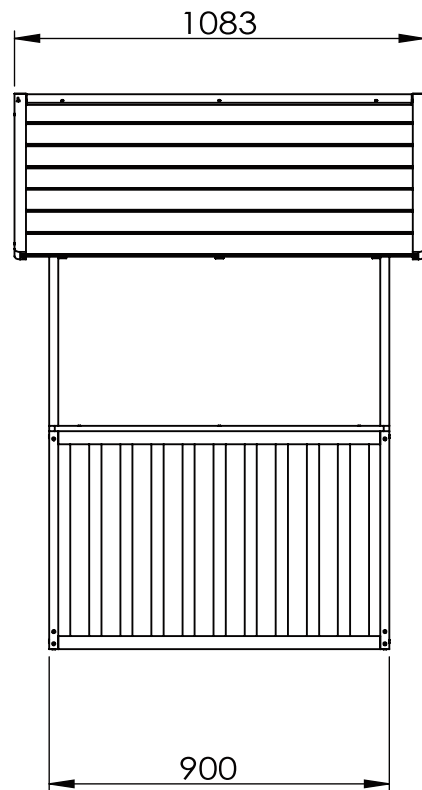
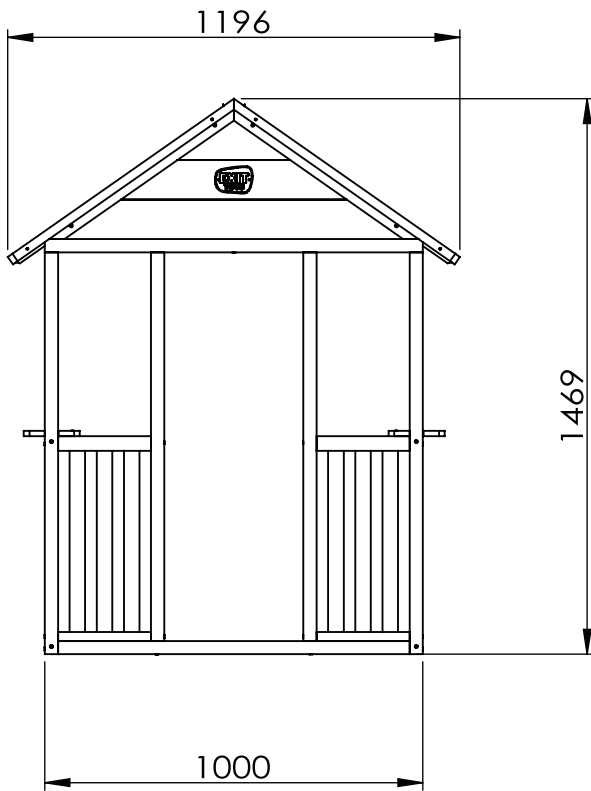
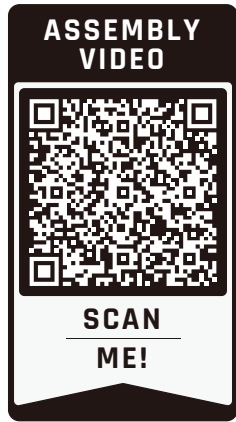
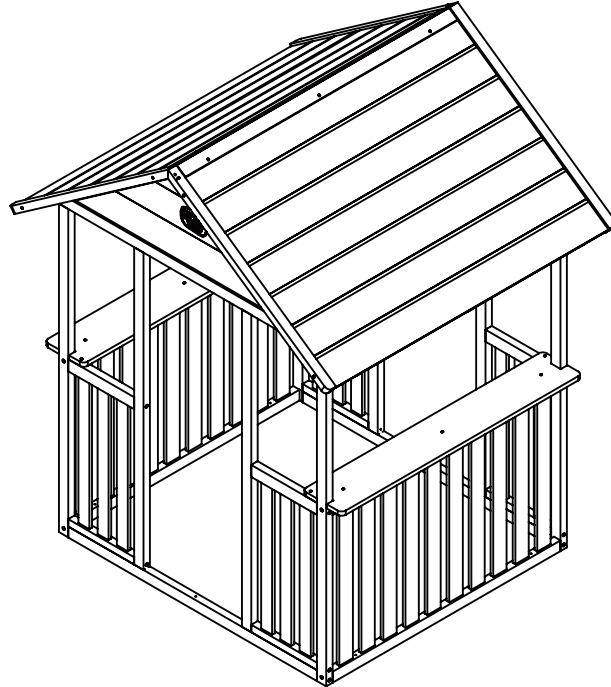


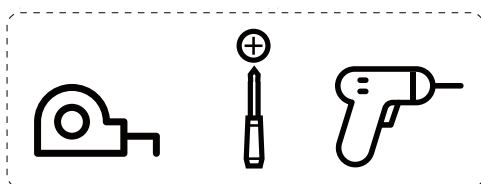
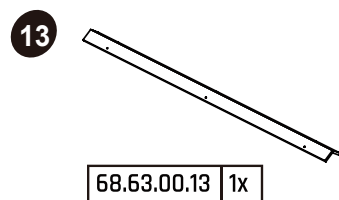
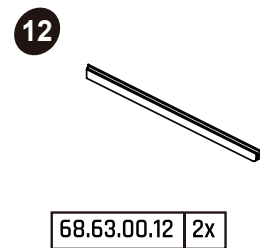
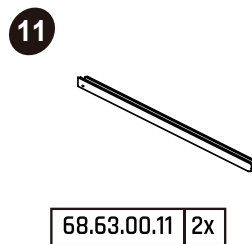
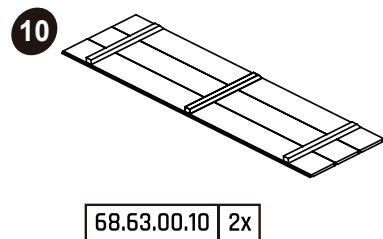
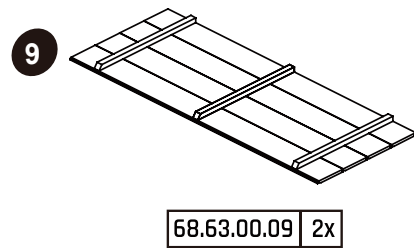
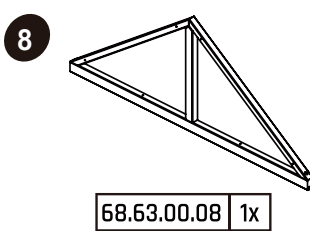
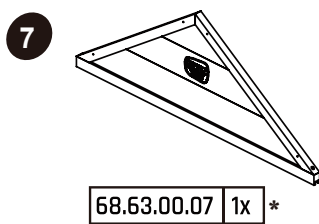
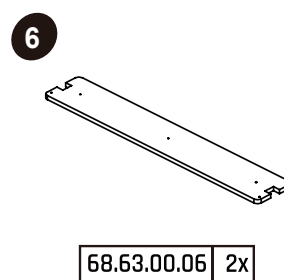
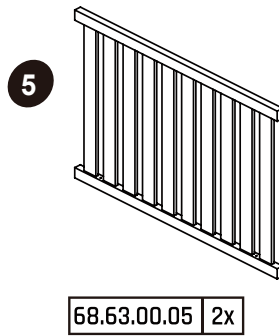
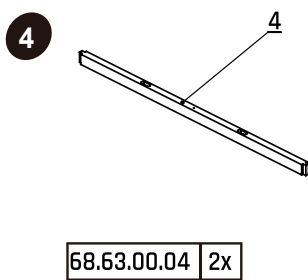
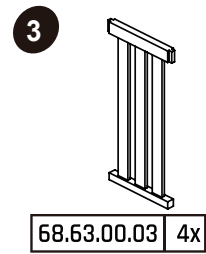
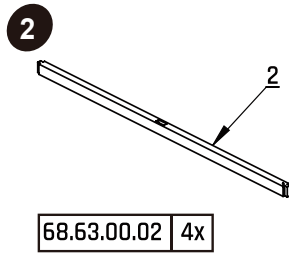
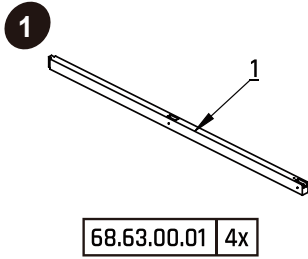
Playhouse

EXIT Panorama

Panorama 100







* BOX REFERENCE: XX.XX
PRODUCTION ID: XXX XXX



68.63.00.80



$\phi 4 \times 50$ 40x



$\phi 3.5 \times 40$ 8x



$\phi 3 \times 35$ 18x



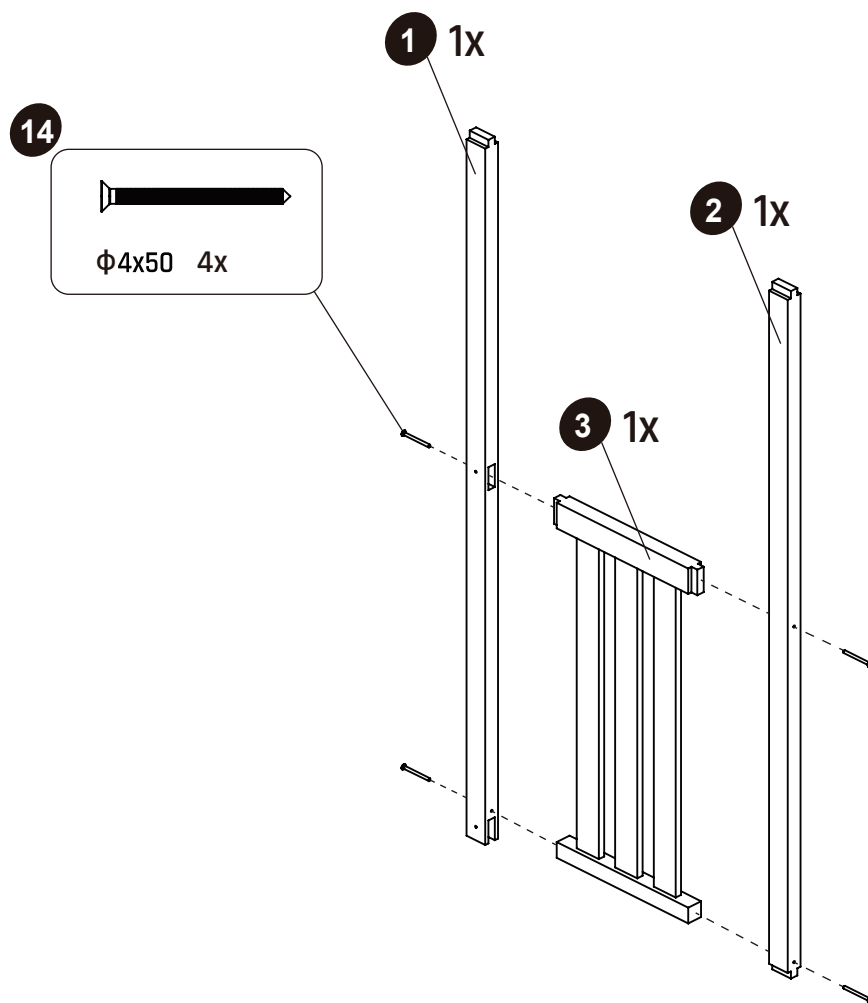
$\phi 3.5 \times 30$ 2x



$\phi 3 \times 25$ 6x

1

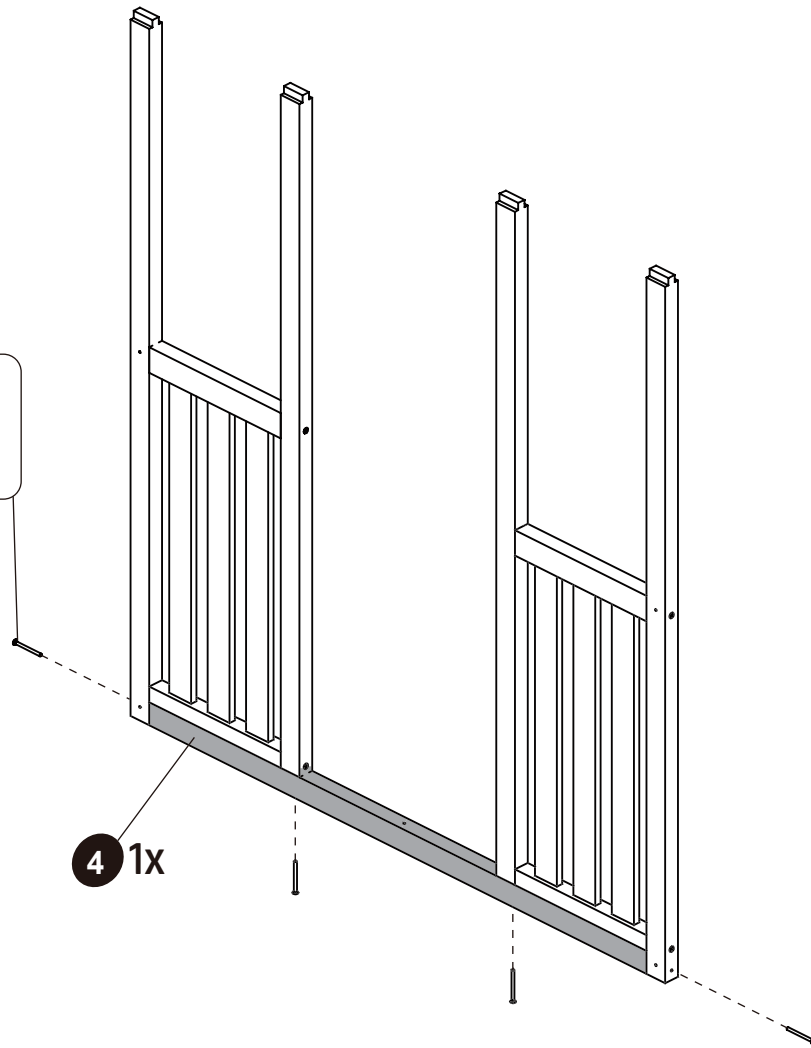
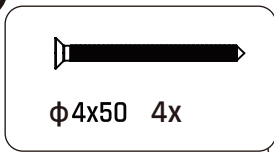
X4



2

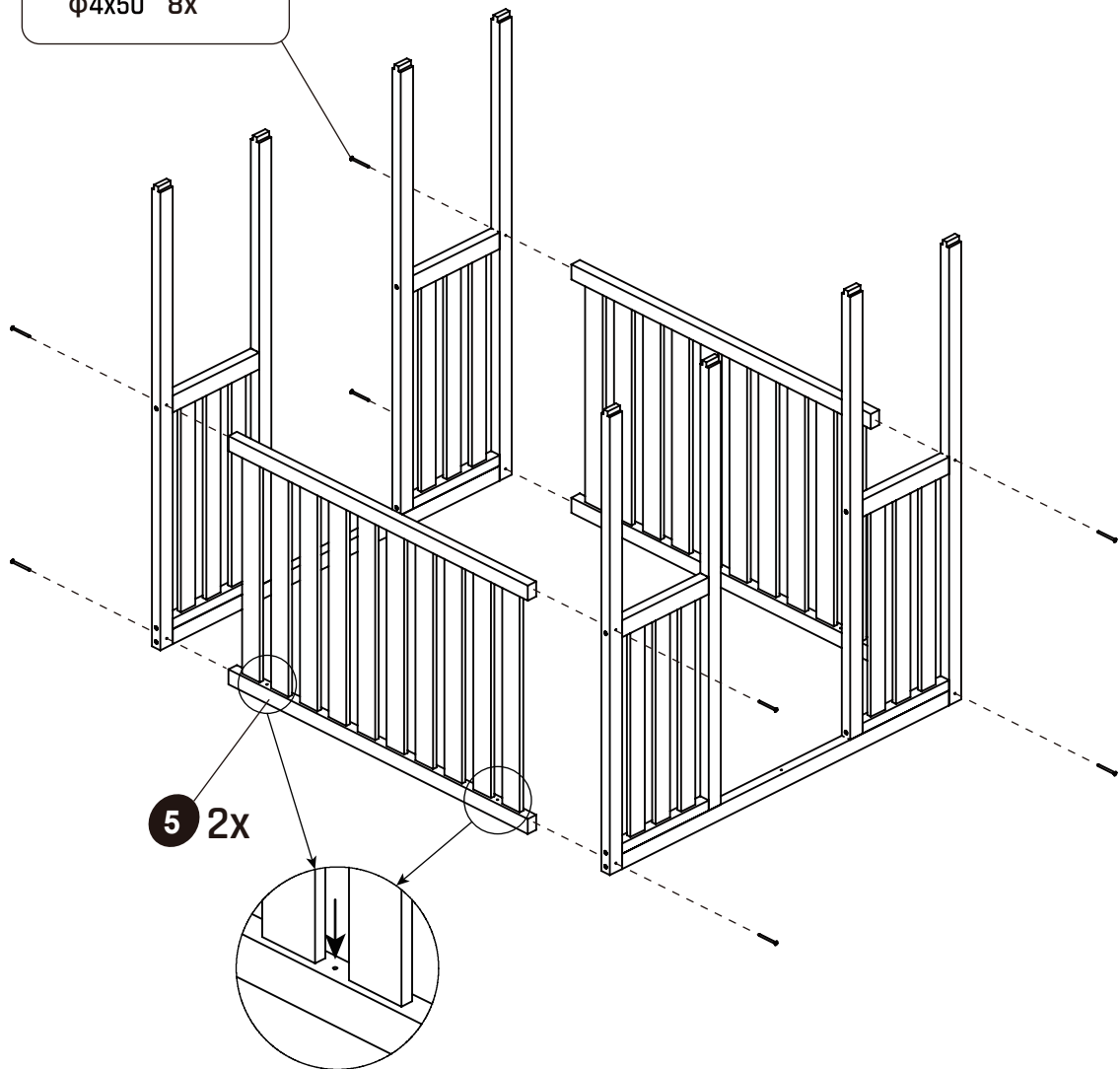
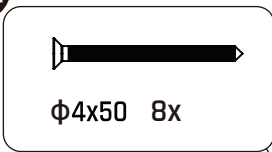
X2

14

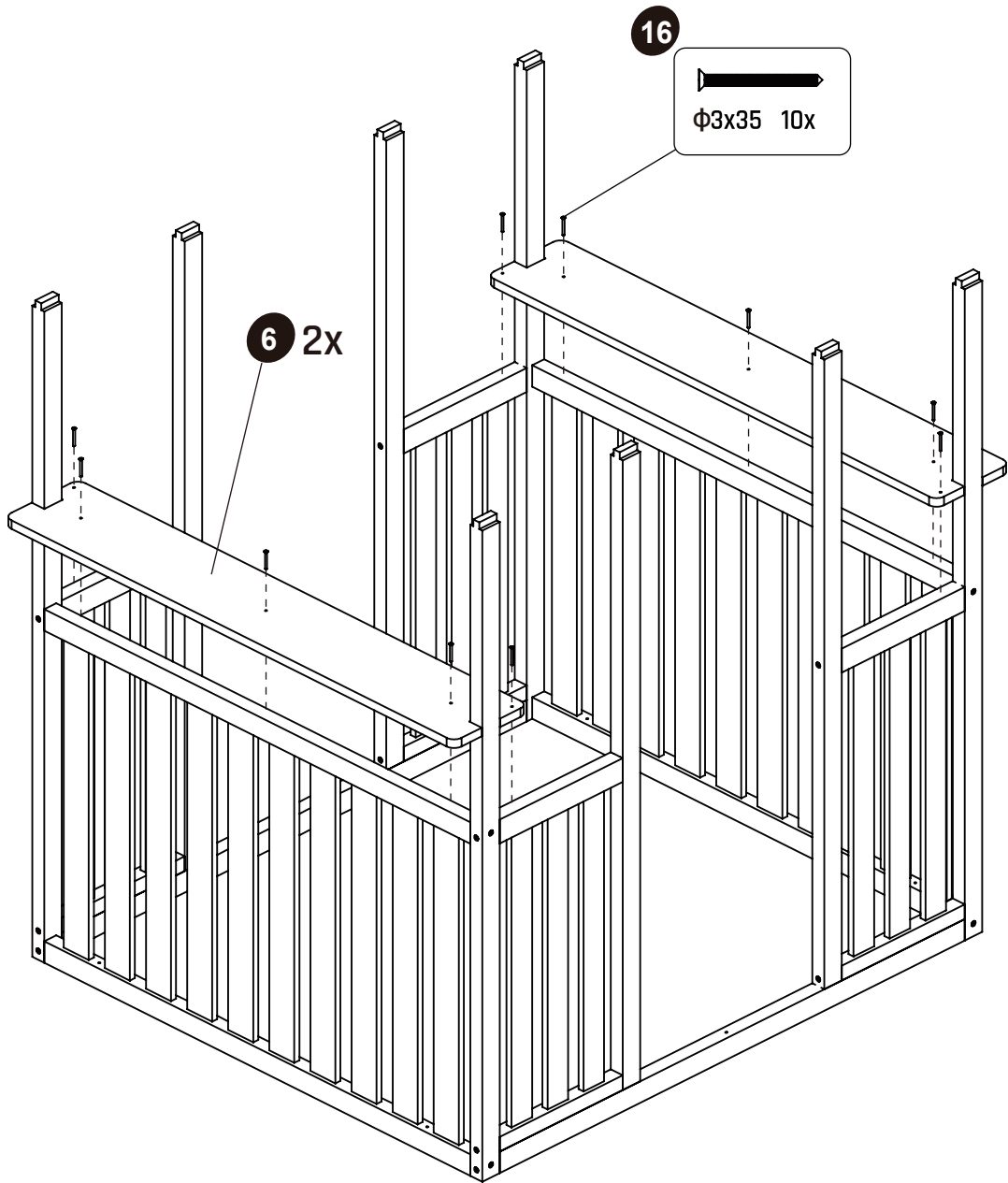


3

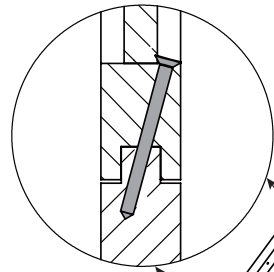
14



4



5

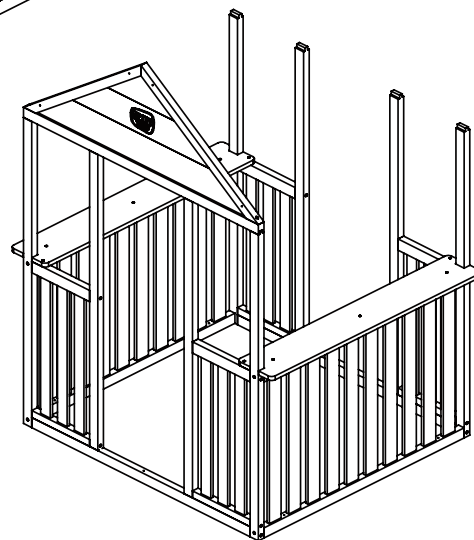
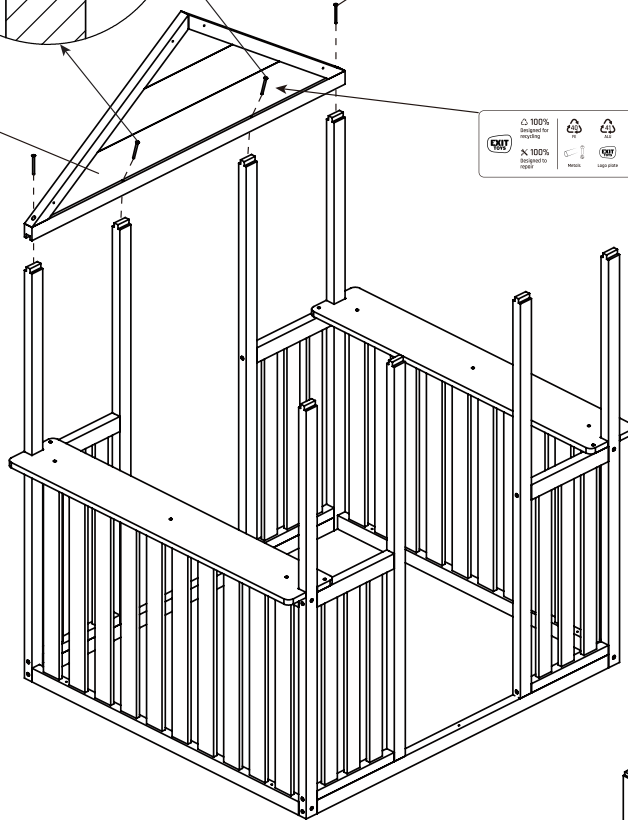


14



Φ4x50 4x

7 1x



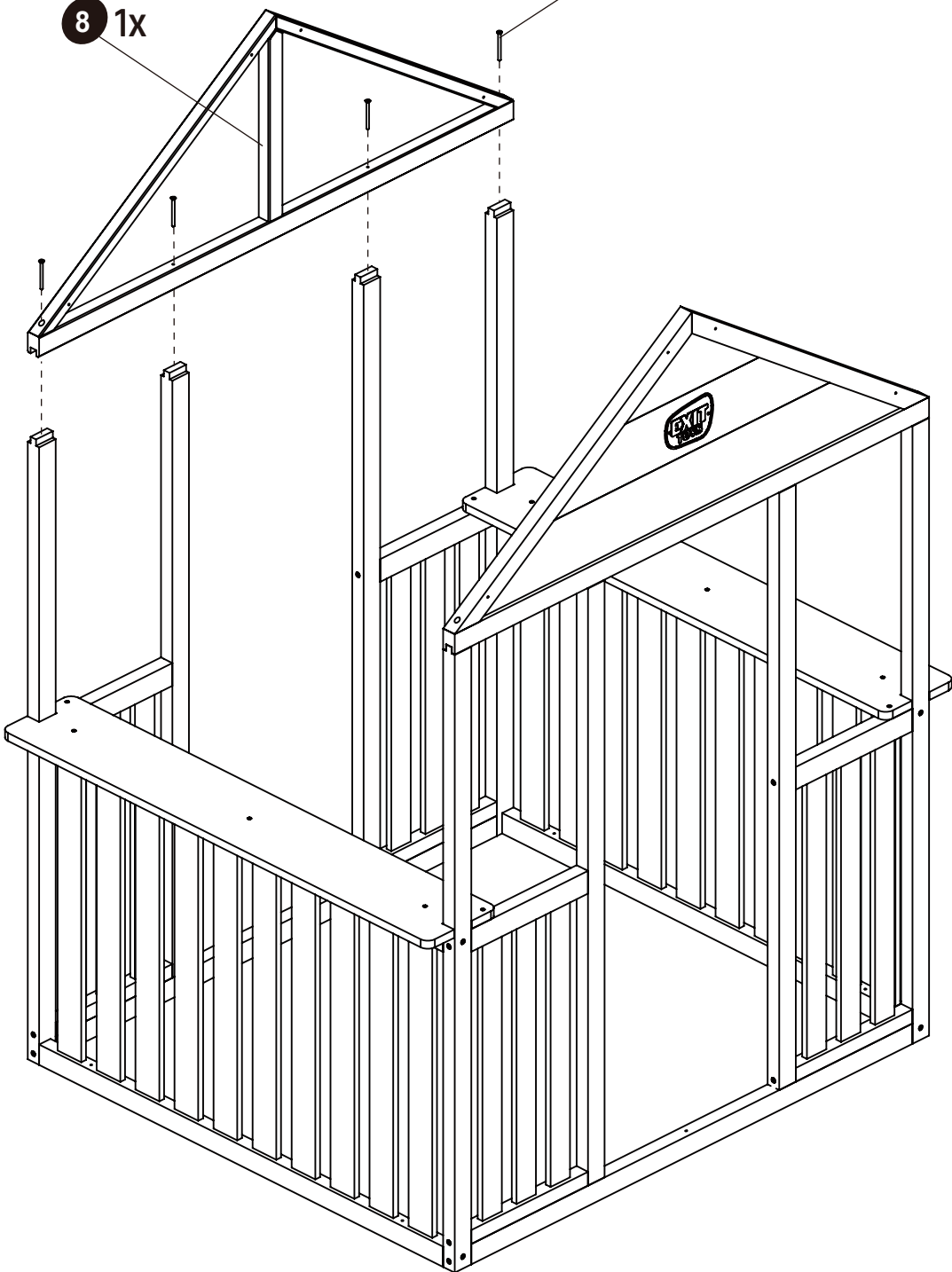
6

14

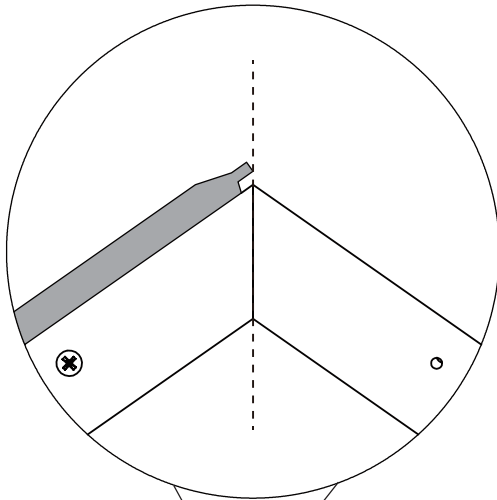


φ4x50 4x

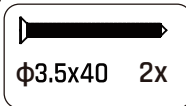
8 1x



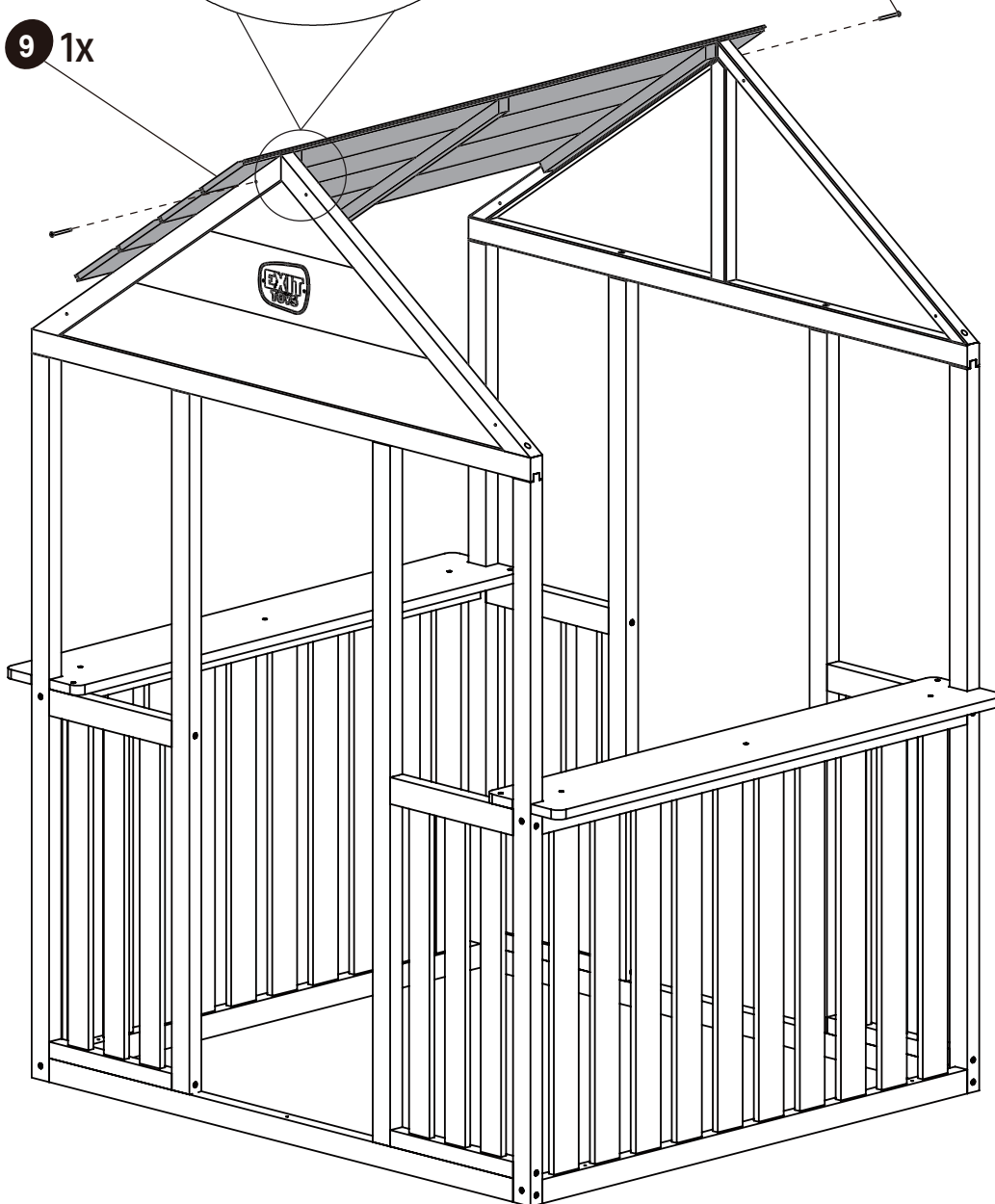
7



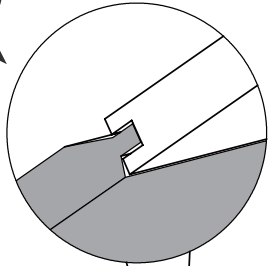
15



9 1x




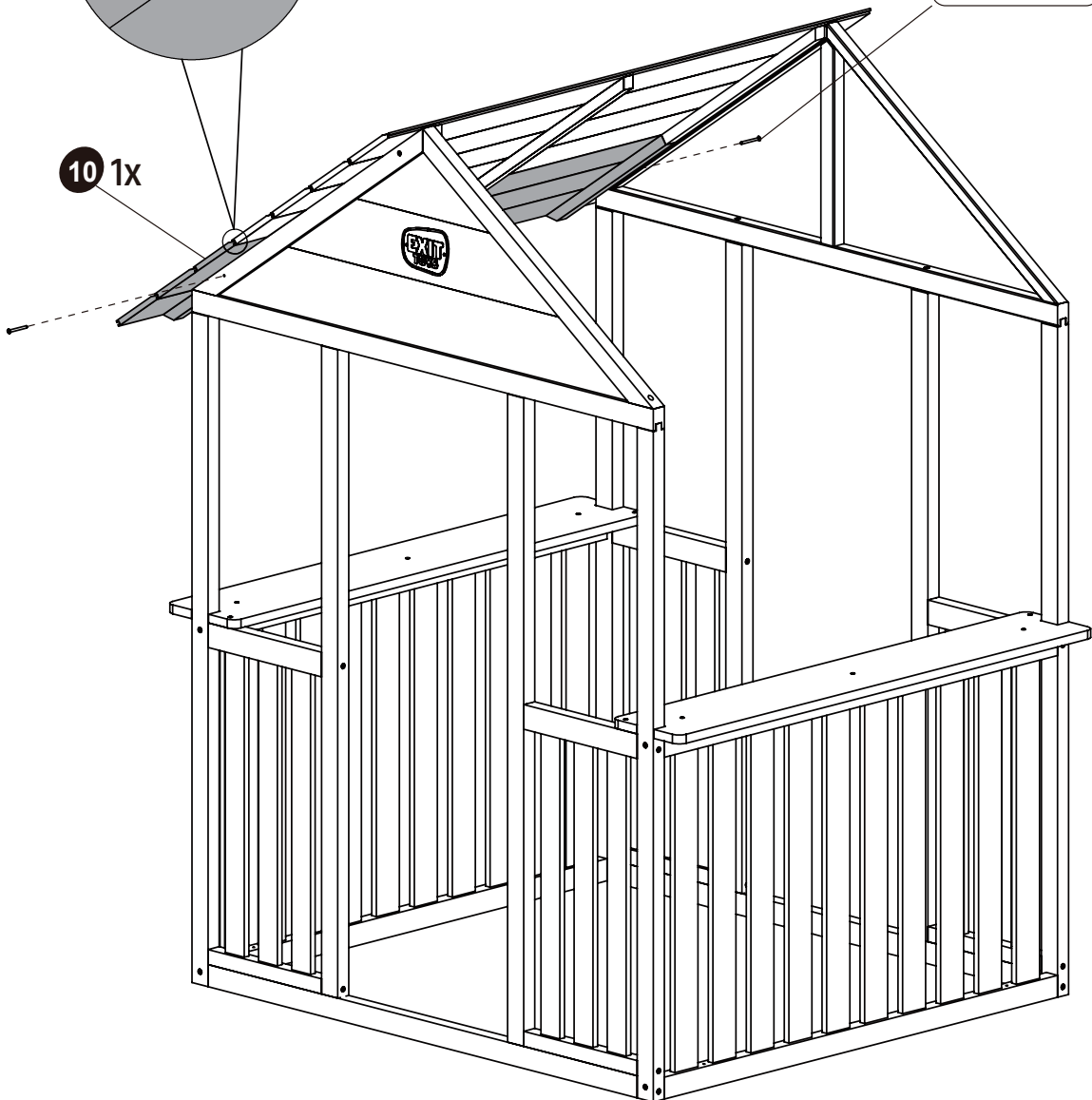
8



10 1x


15


 $\phi 3.5 \times 40$ 2x



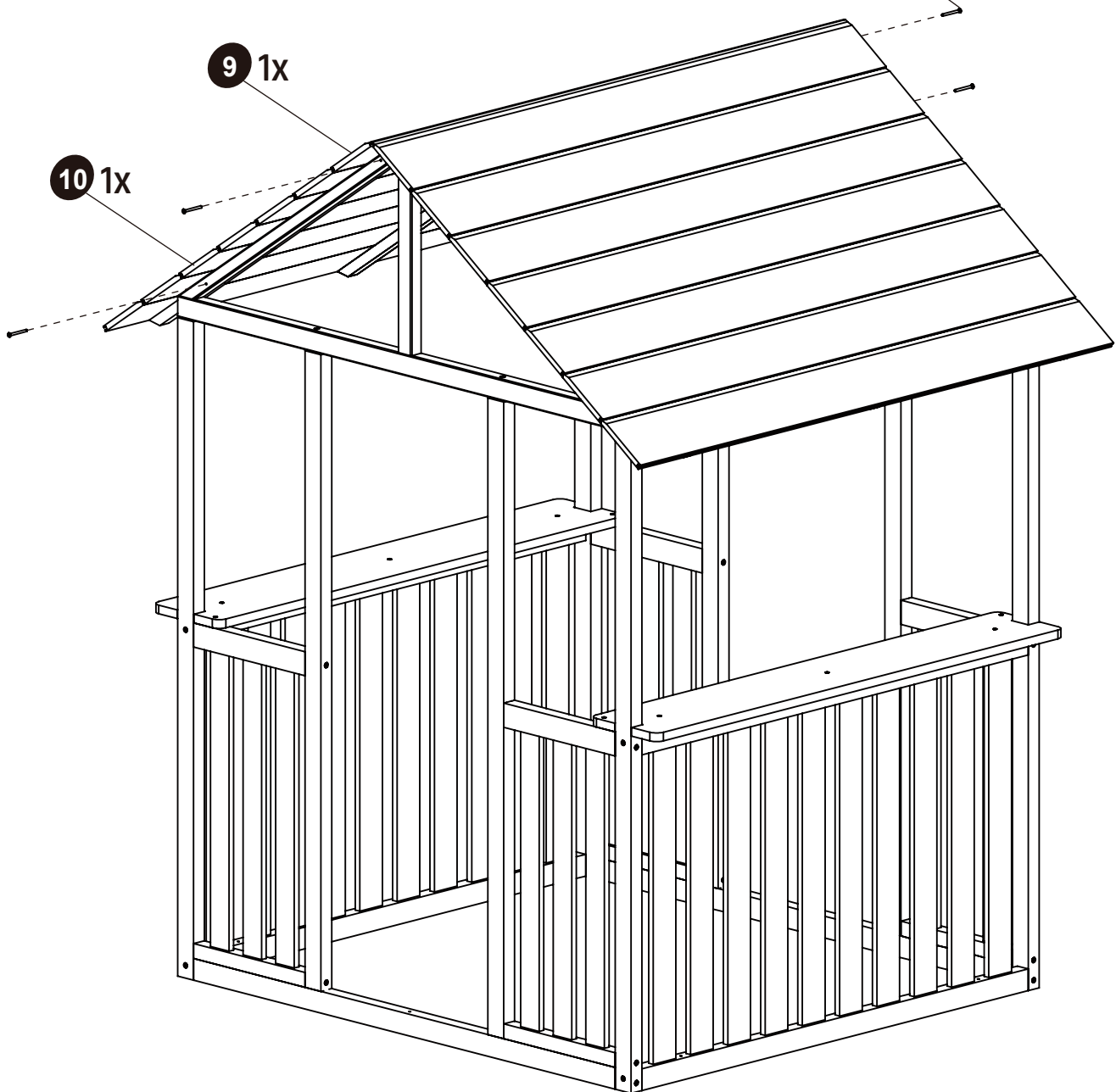
9

15


φ3.5x40 4x

9 1x

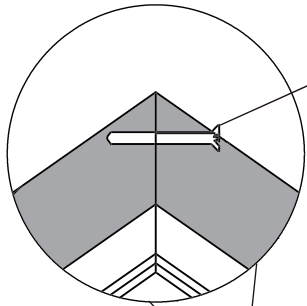
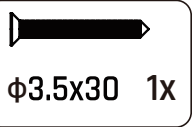
10 1x



10

10a

17

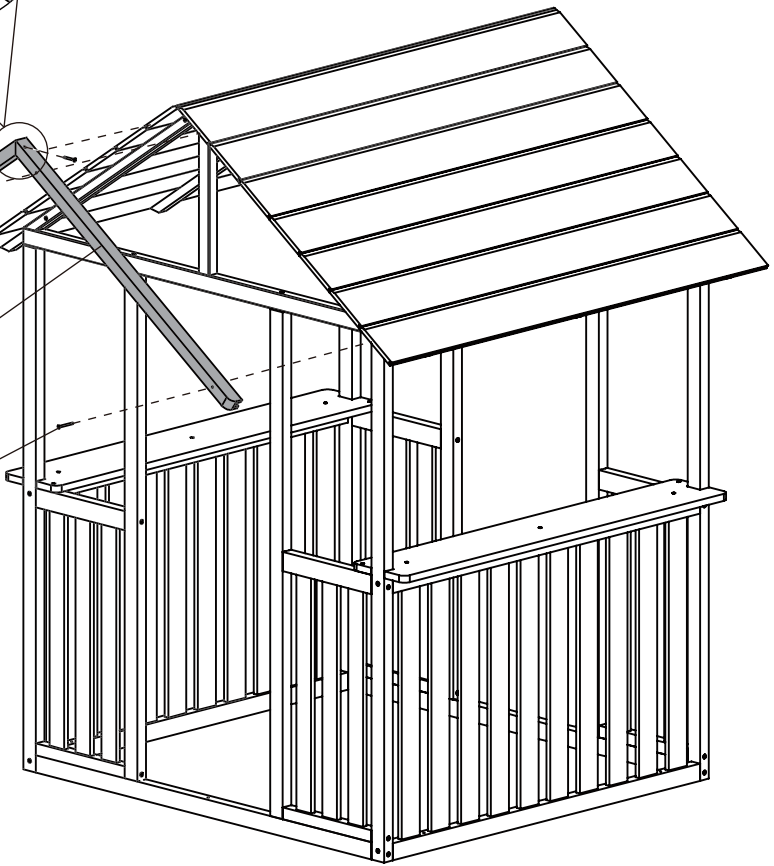
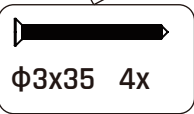


12 1x

11 1x

10b

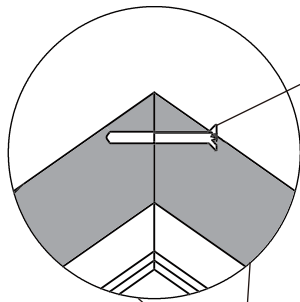
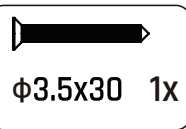
16



11

11a

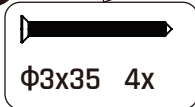
17



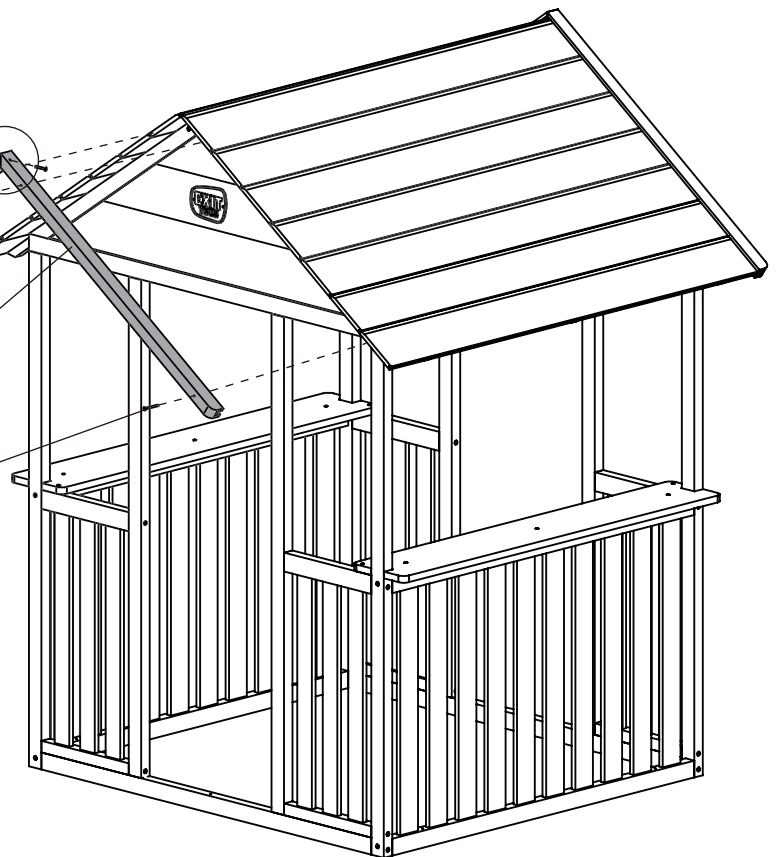
12 1x

11b

16

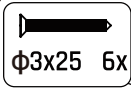


11 1x

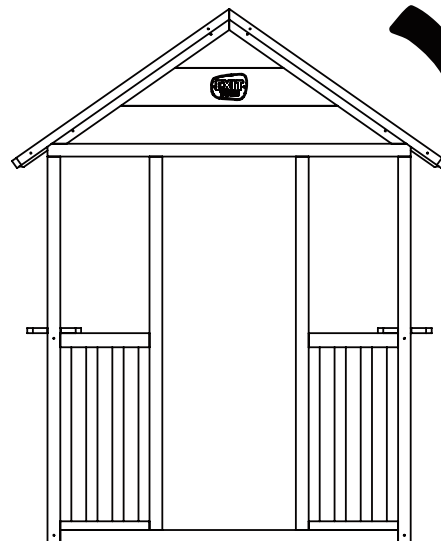
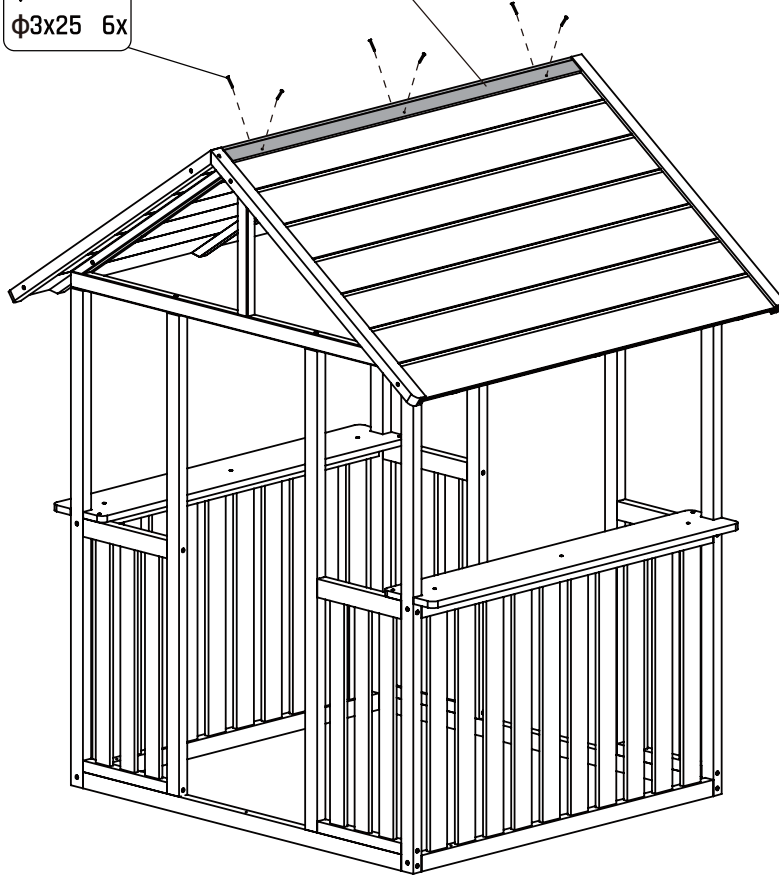


12

18

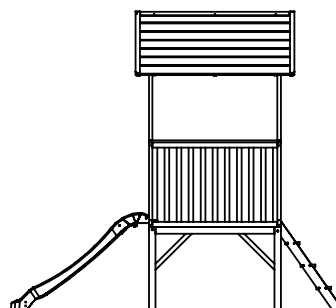
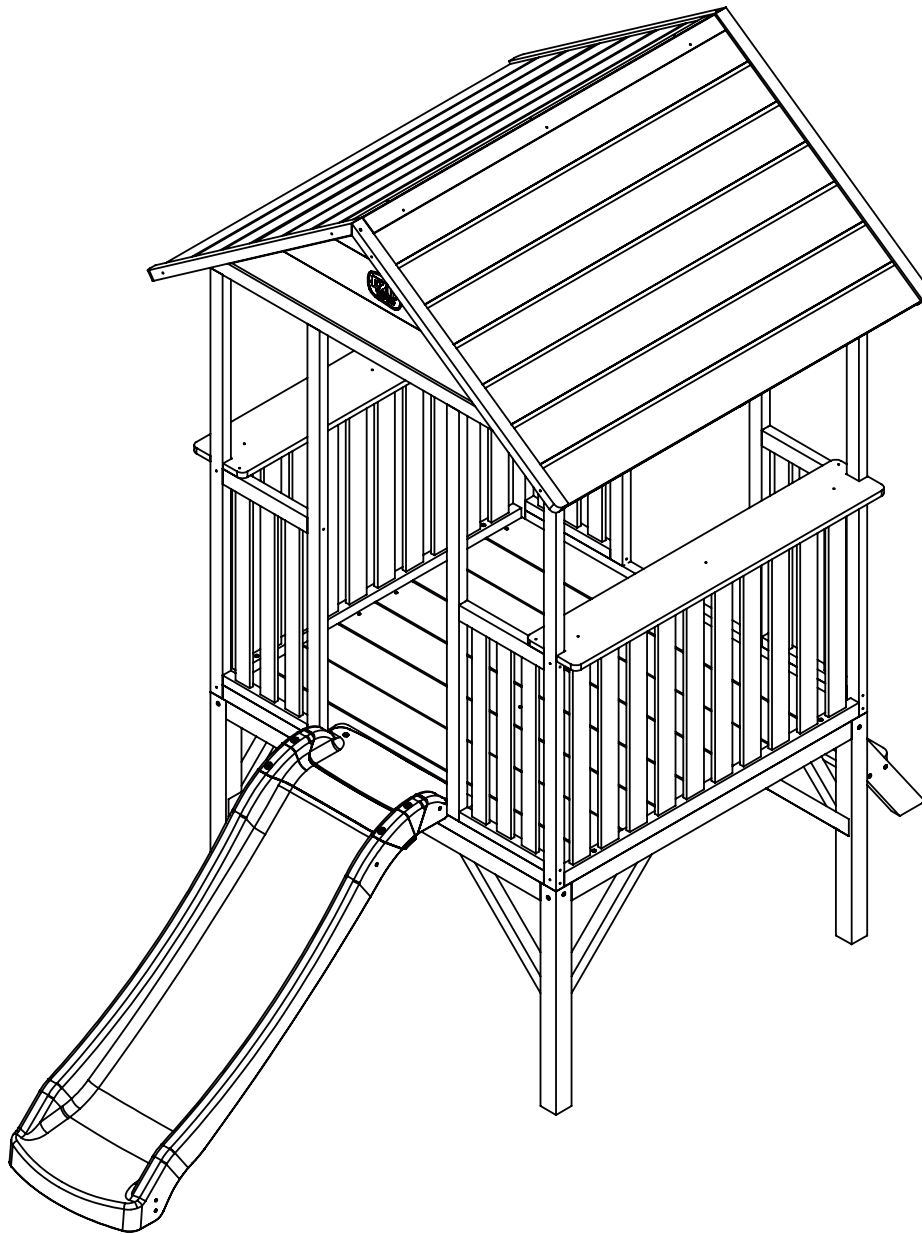


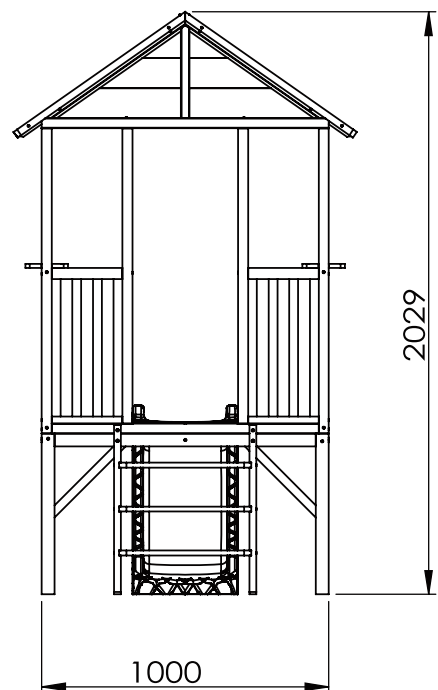
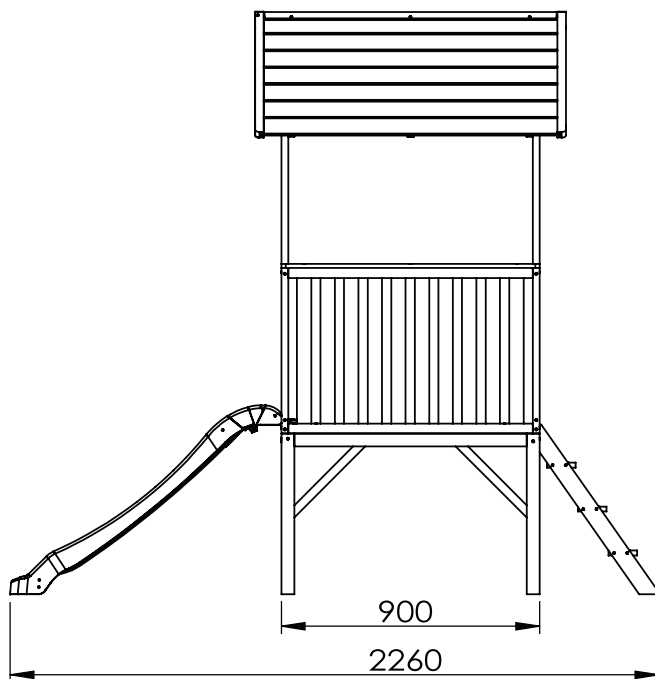
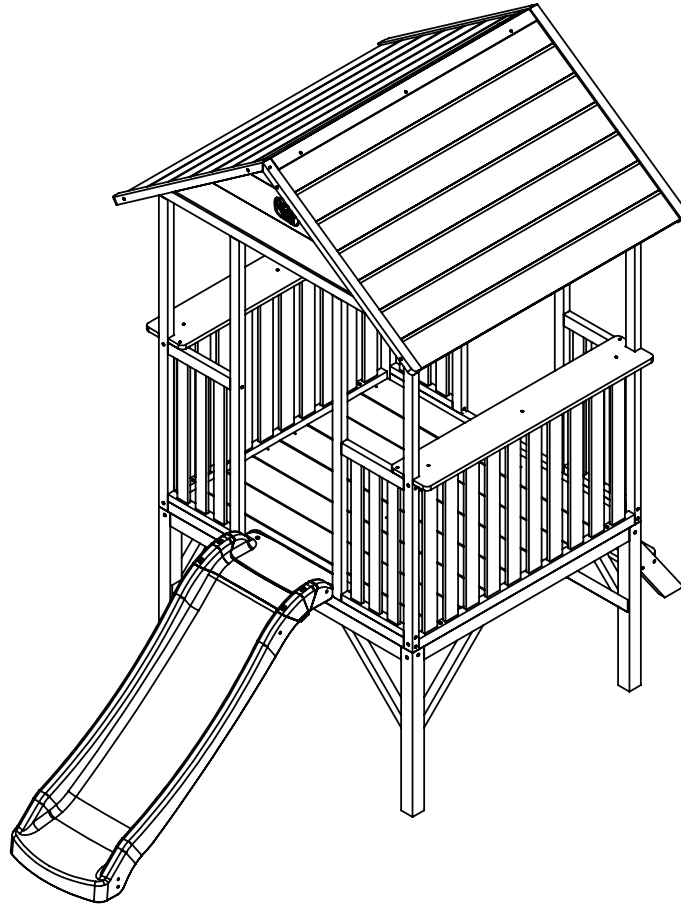
13 1x



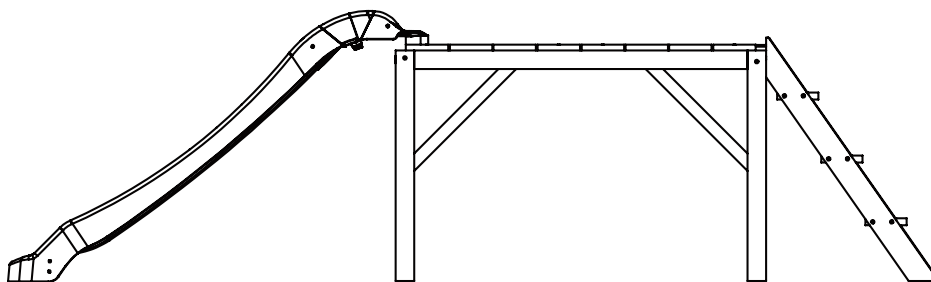
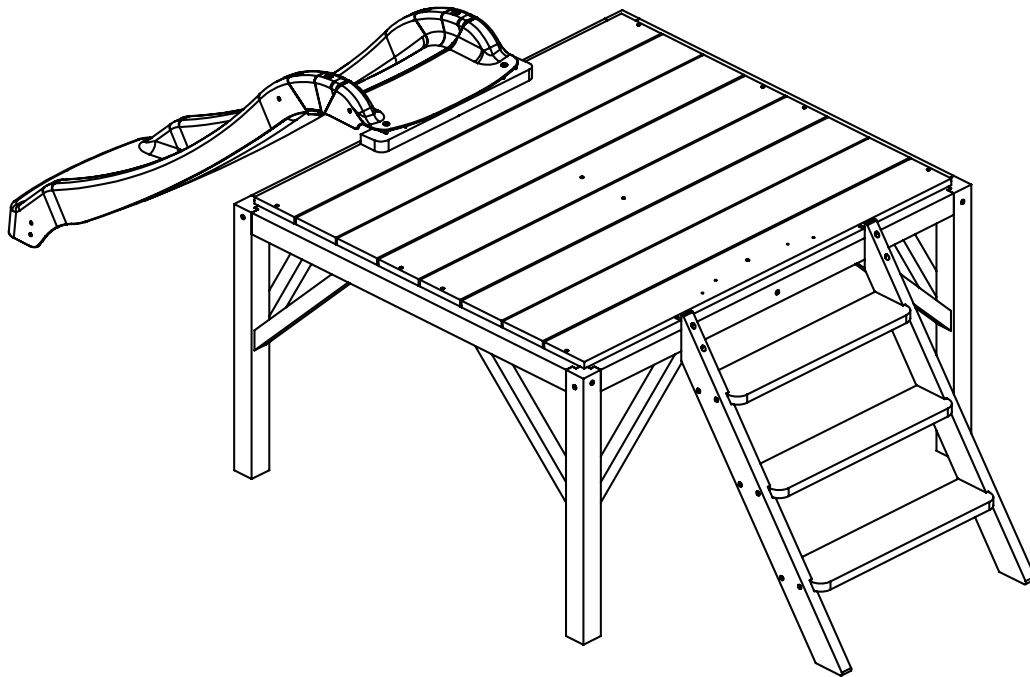
Panorama 100

Panorama 300

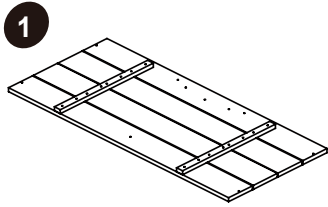




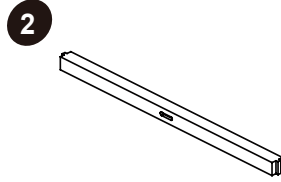
Platform 300



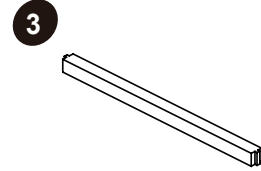
13kg



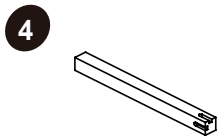
68.70.40.01 | 2x



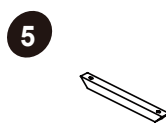
68.70.40.02 | 2x



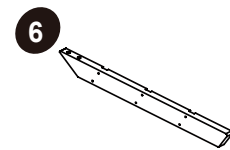
68.70.40.03 | 3x



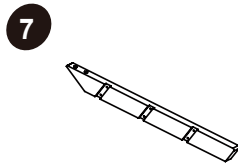
68.70.30.01 | 4x



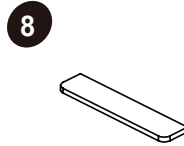
68.70.40.04 | 8x



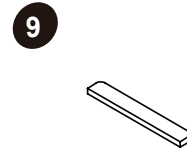
68.70.30.02 | 1x



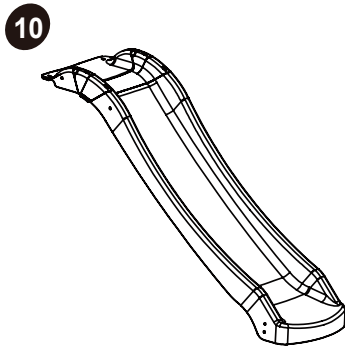
68.70.30.03 | 1x *



68.70.40.05 | 3x



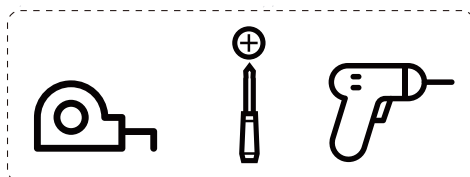
68.70.30.04 | 1x



69.53.10.10 | 1x

68.70.30.80

11		12	
	φ4x70 12x		φ4x50 6x
13		14	
	φ3.5x40 12x		φ3x35 30x
15		16	
	φ3.5x30 4x		φ4.5x25 2x



*

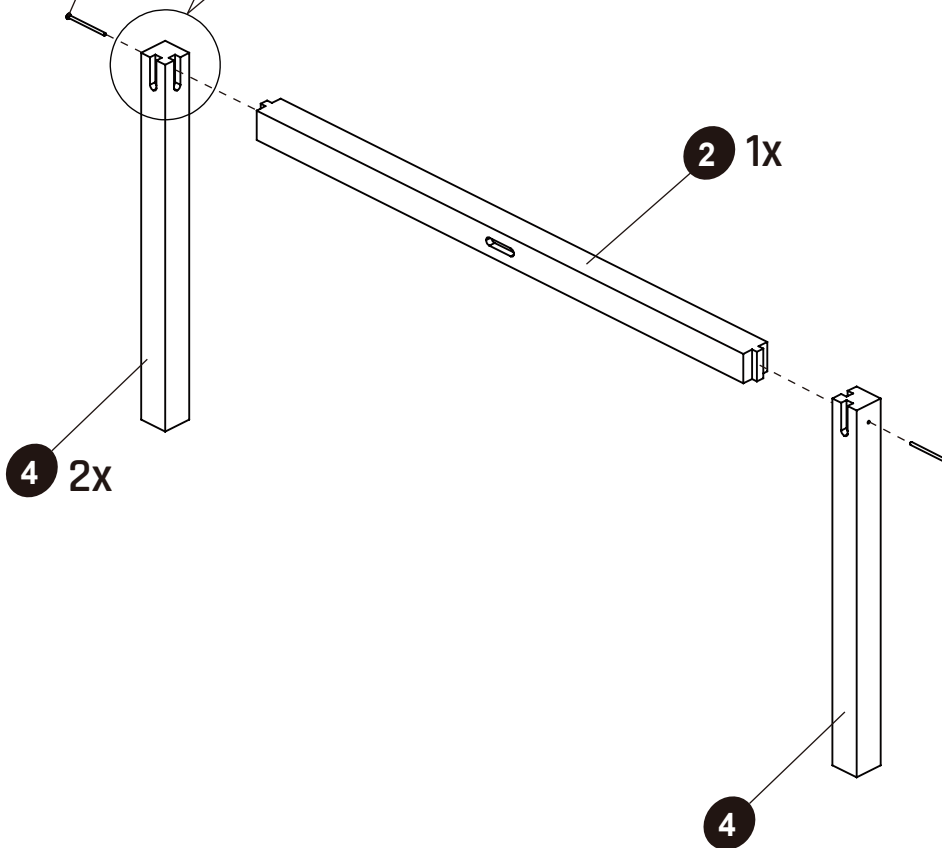
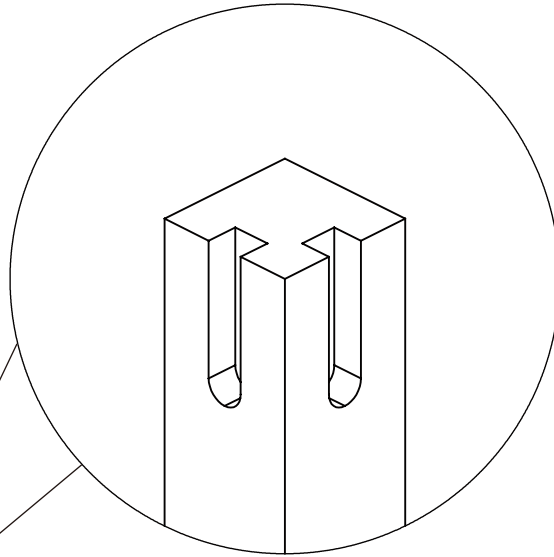
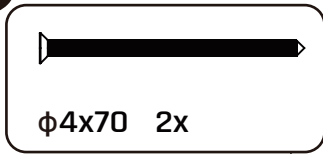
BOX REFERENCE:	XX.XX
PRODUCTION ID:	XXX XXX



1

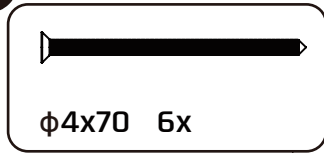
x2

11

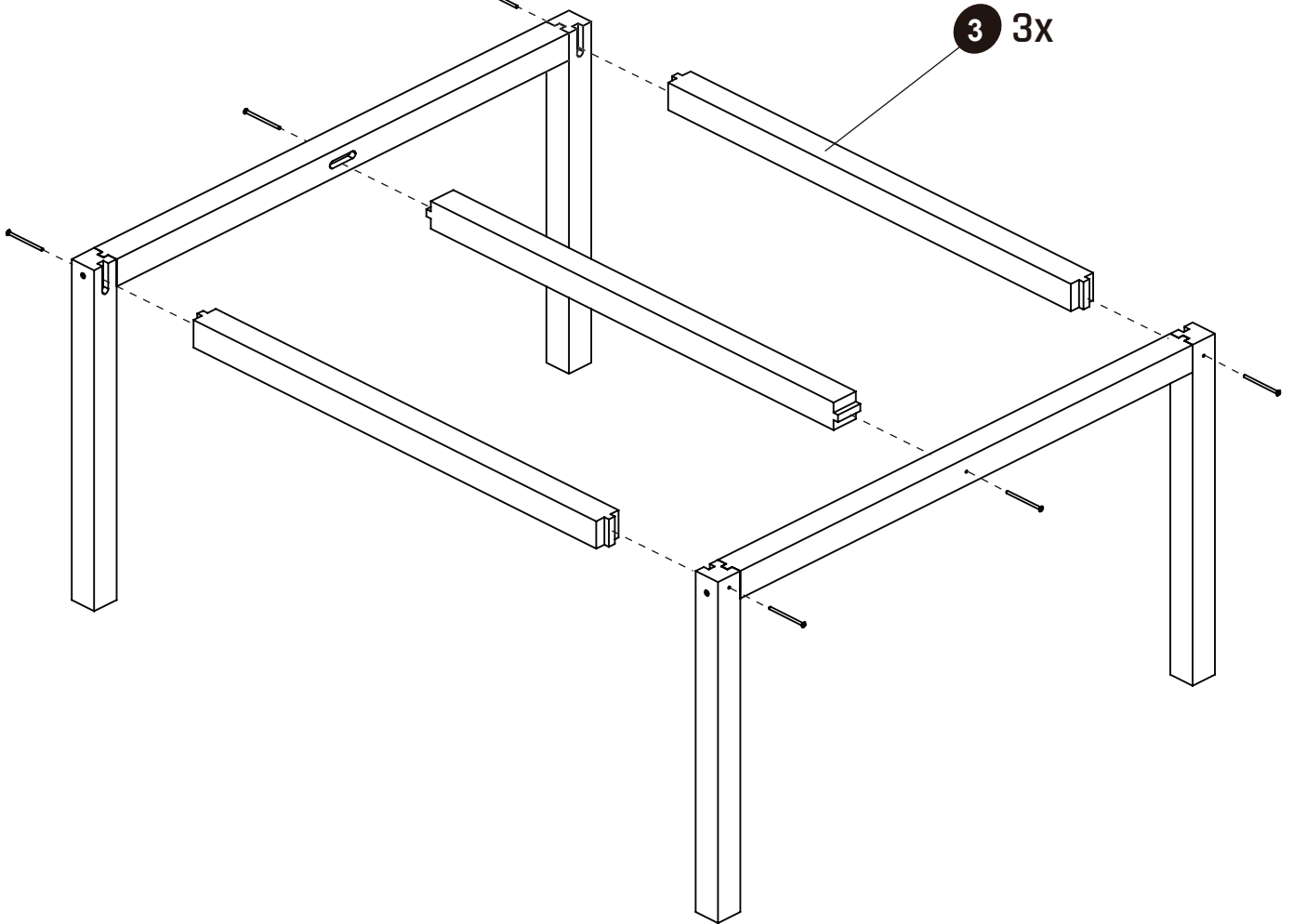


2

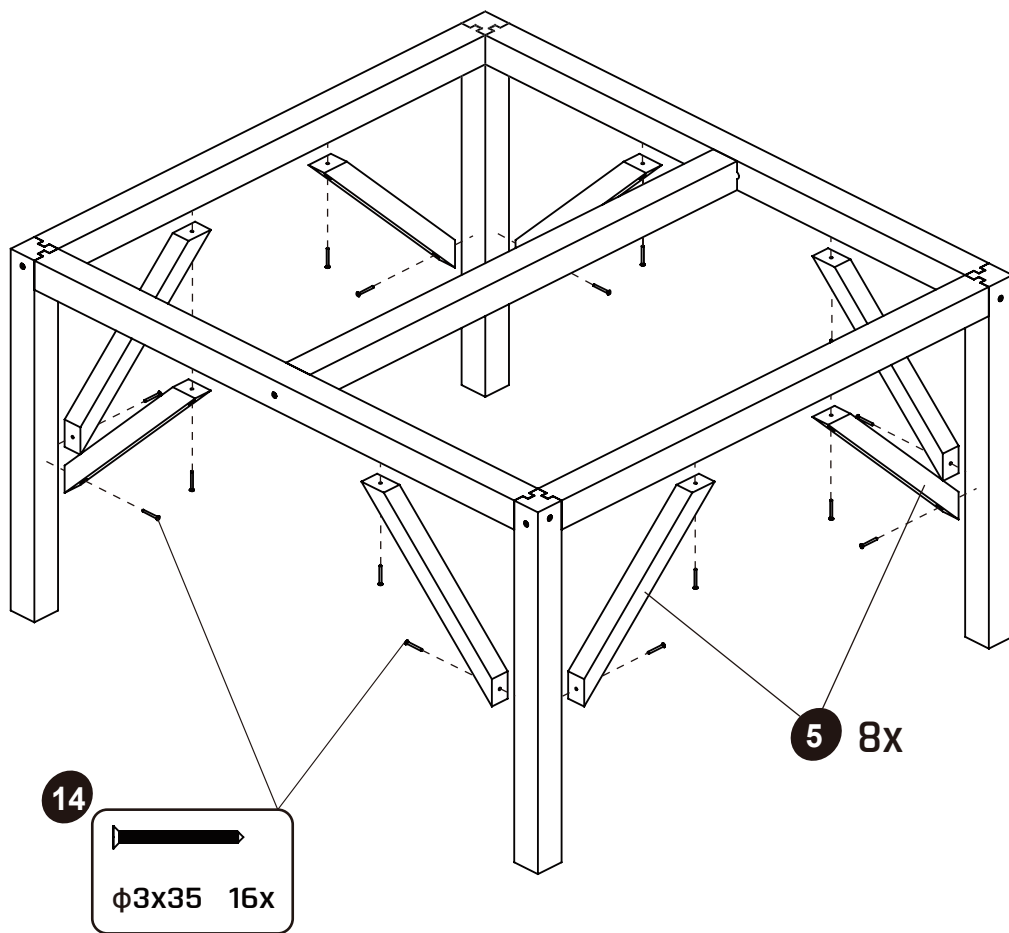
11



3 3x



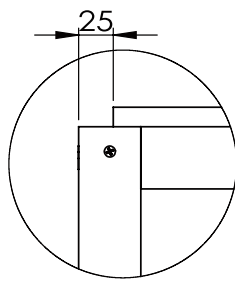
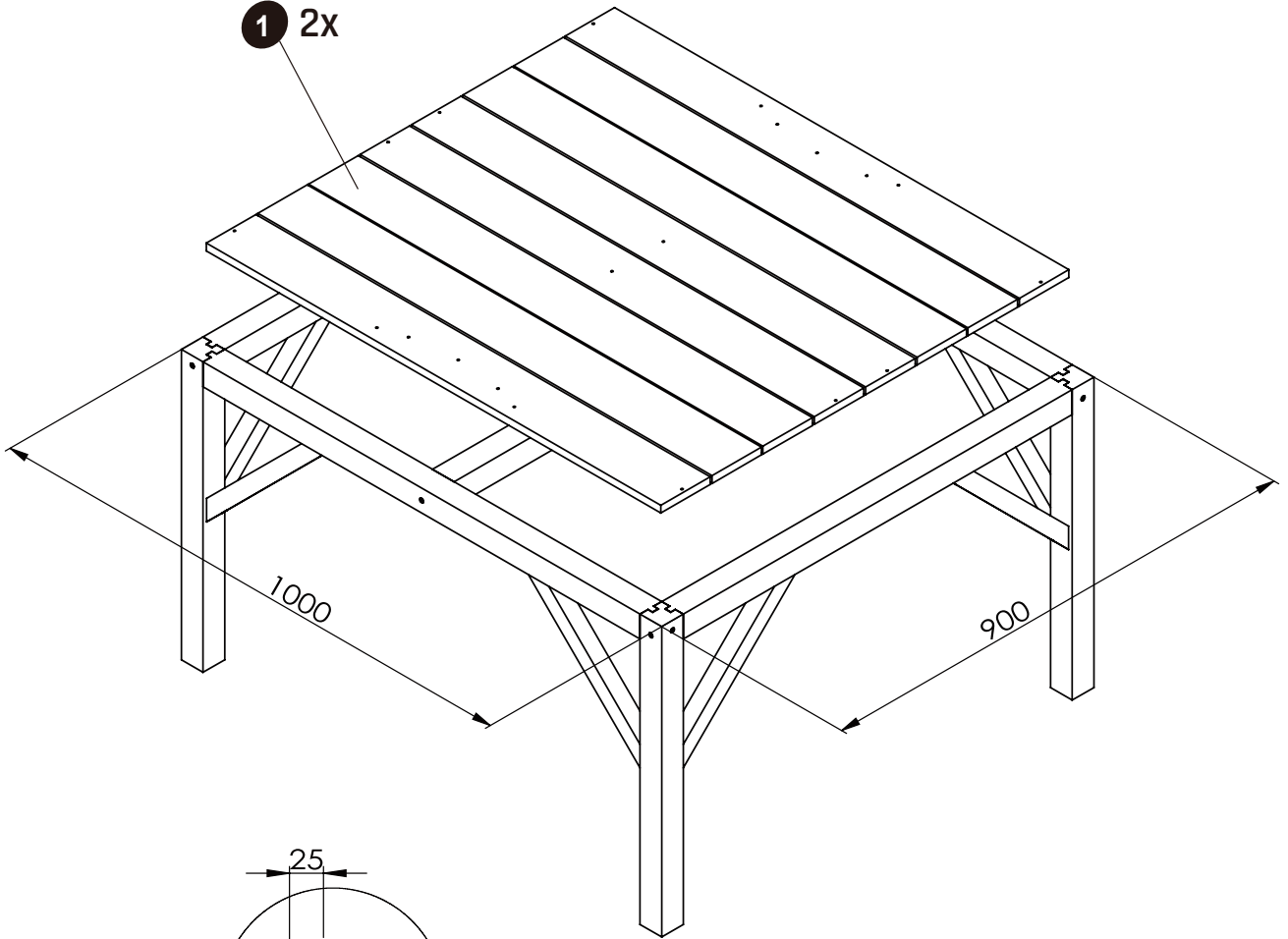
3



4

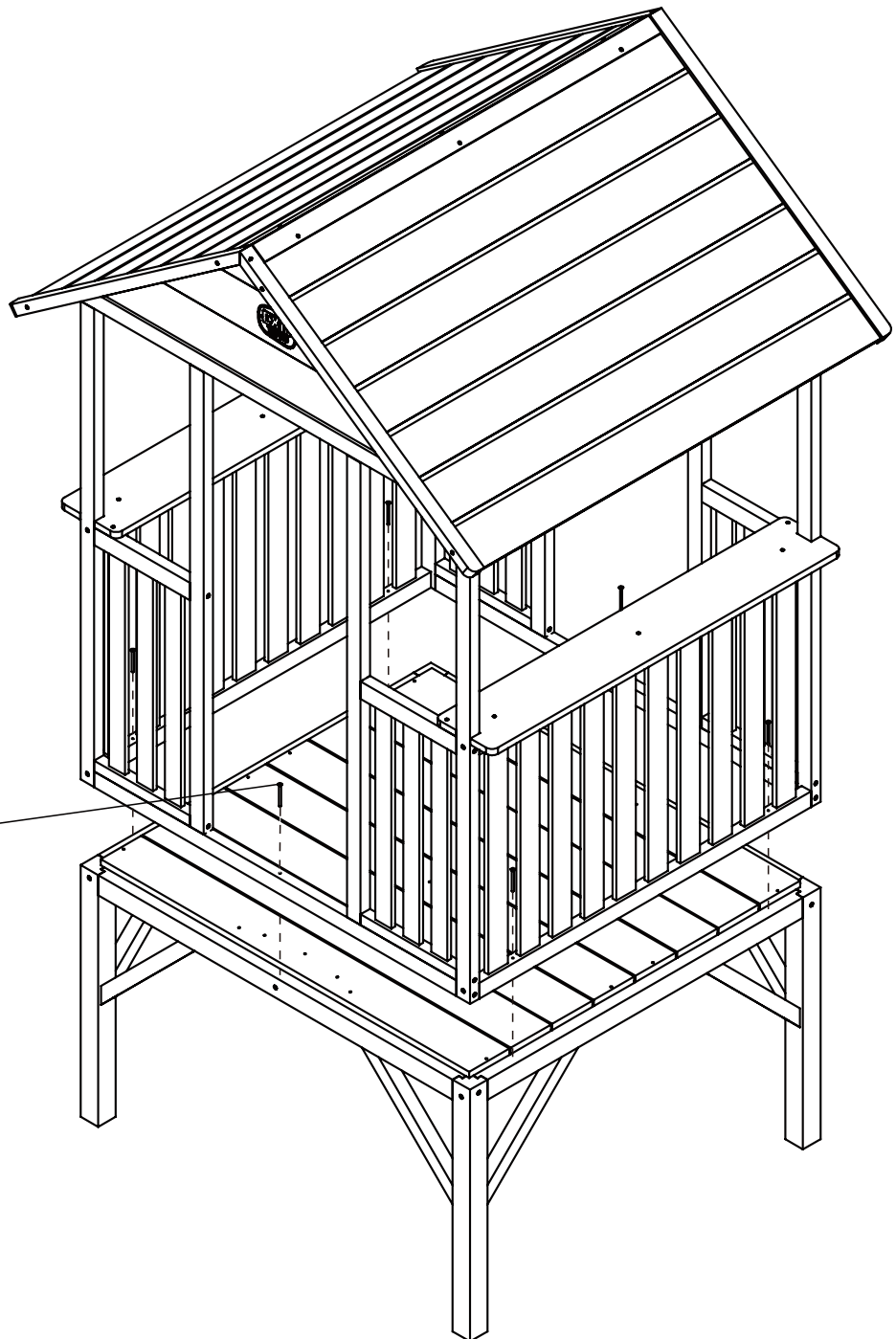
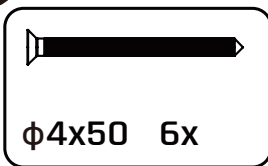


1 2x

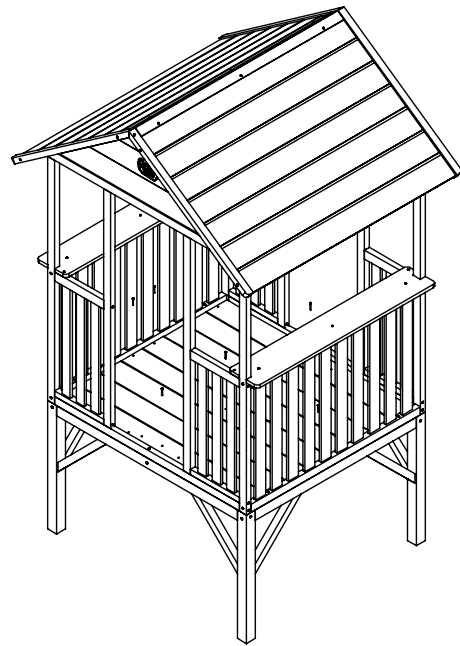
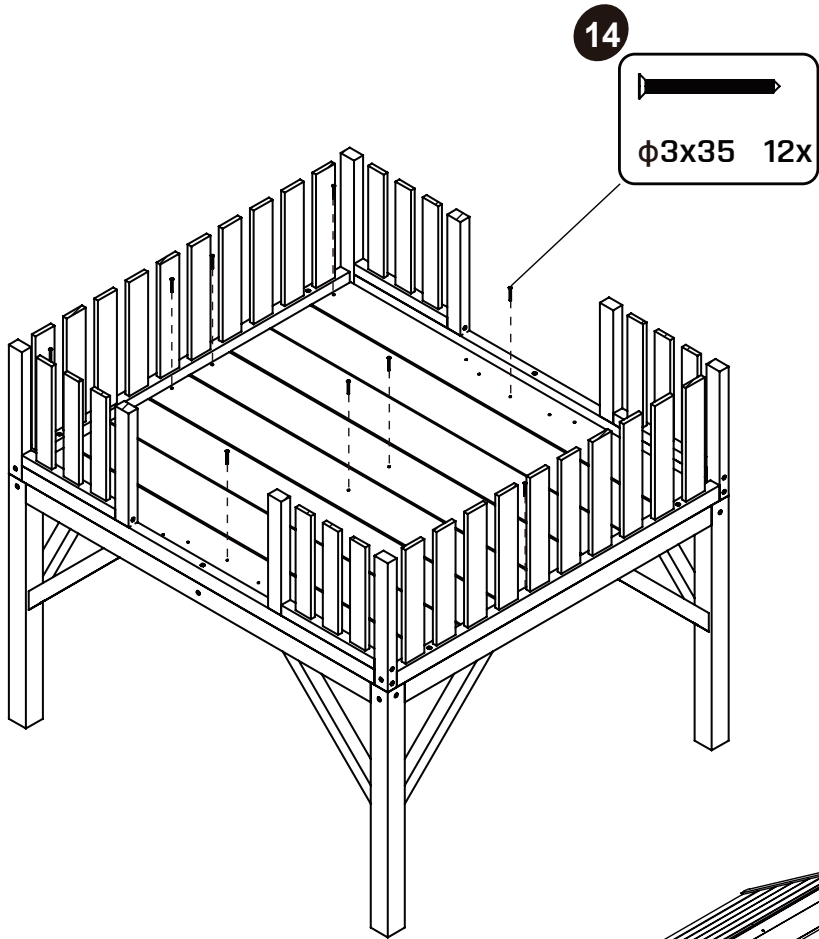


5

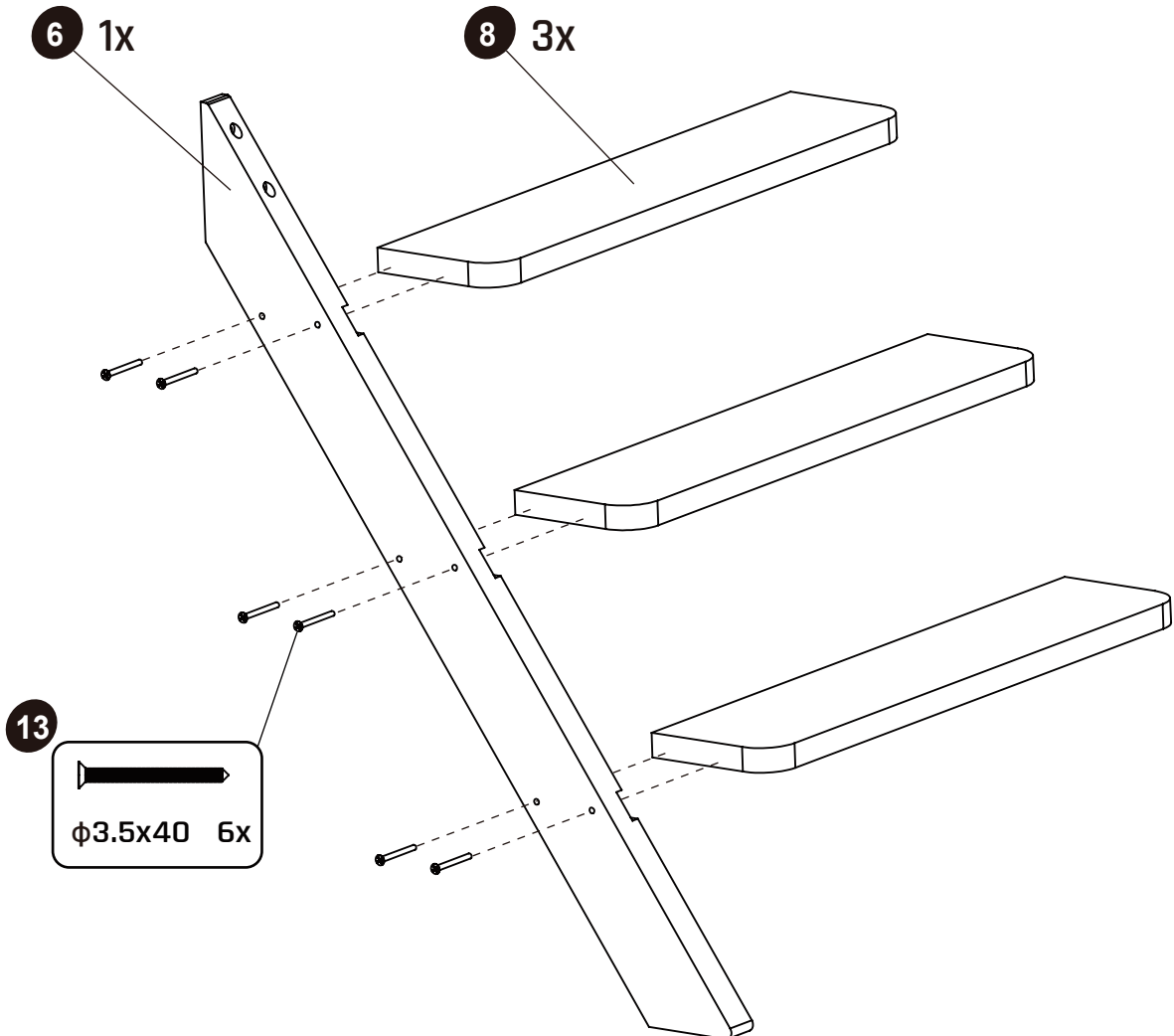
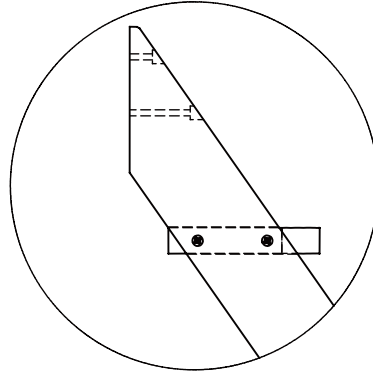
12



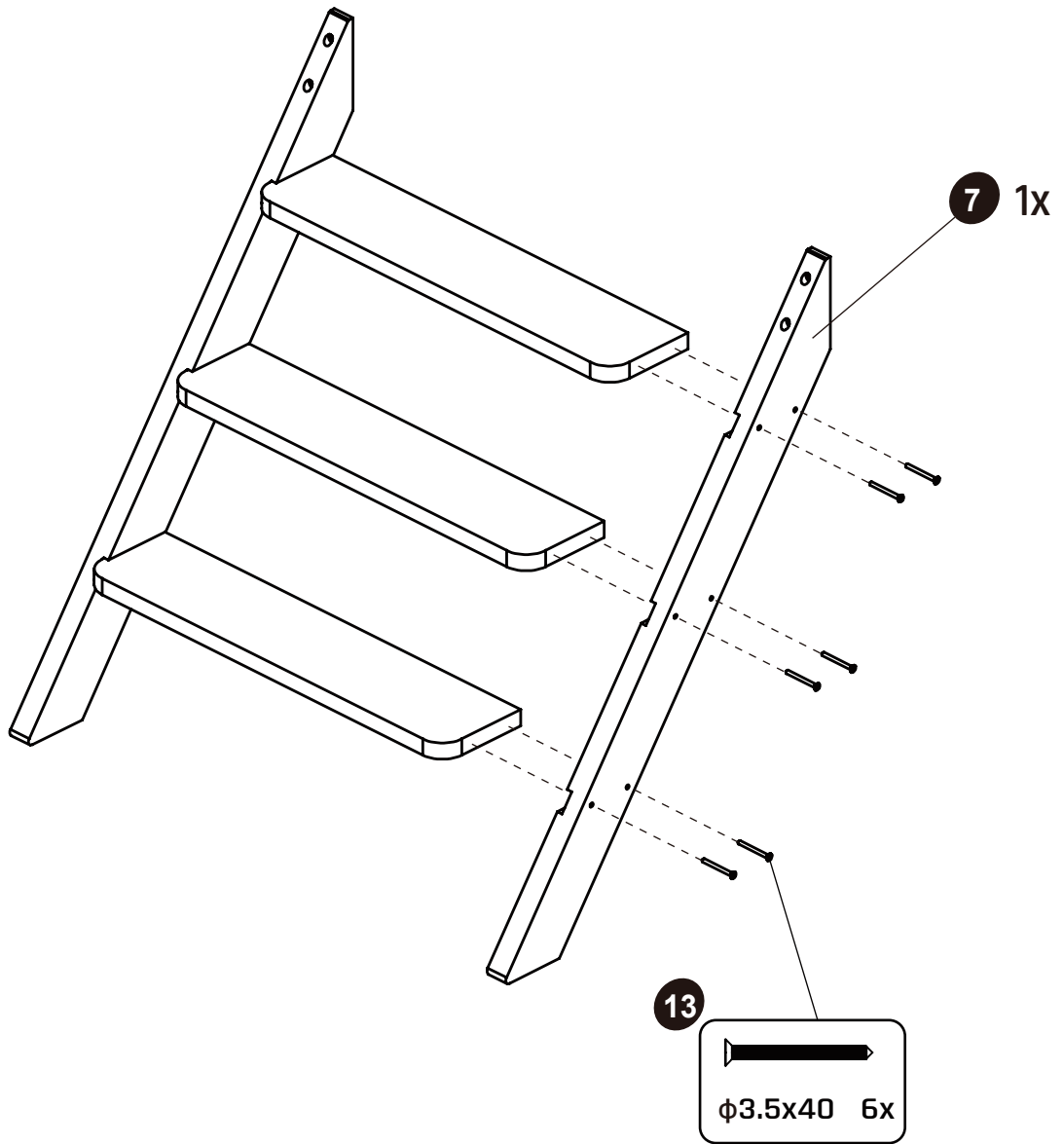
6



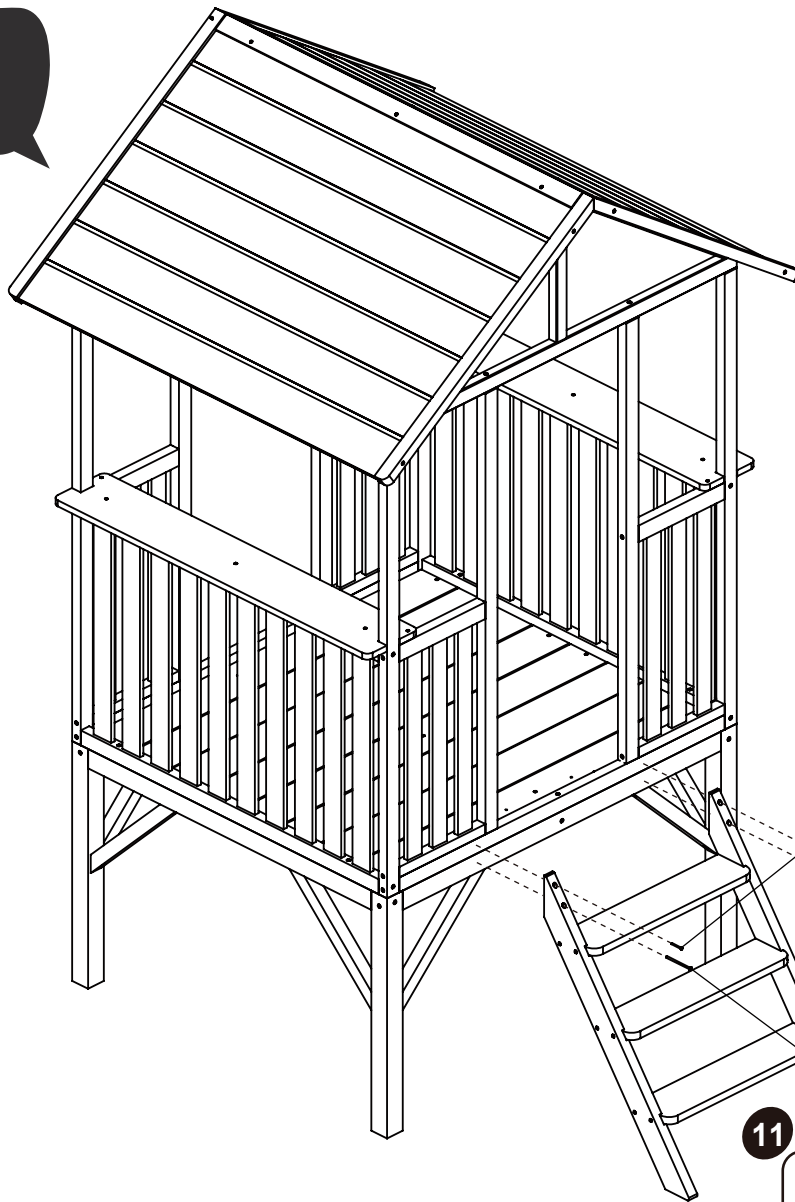
7



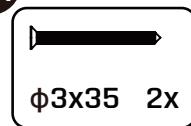
8



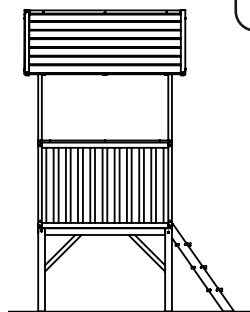
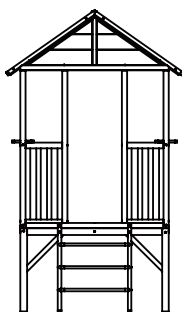
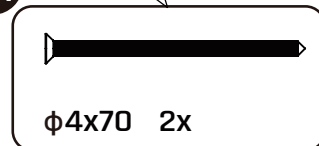
9

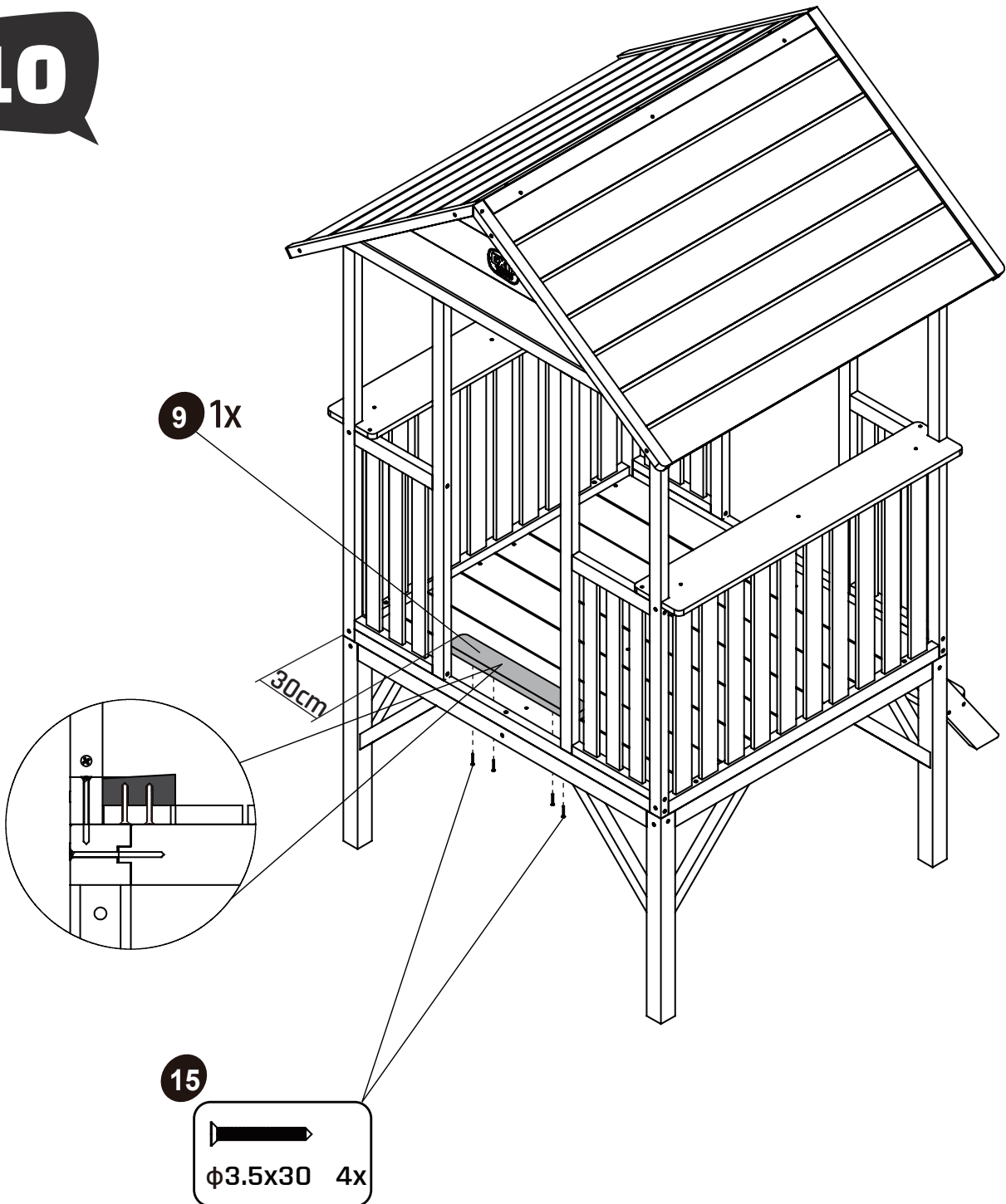


14

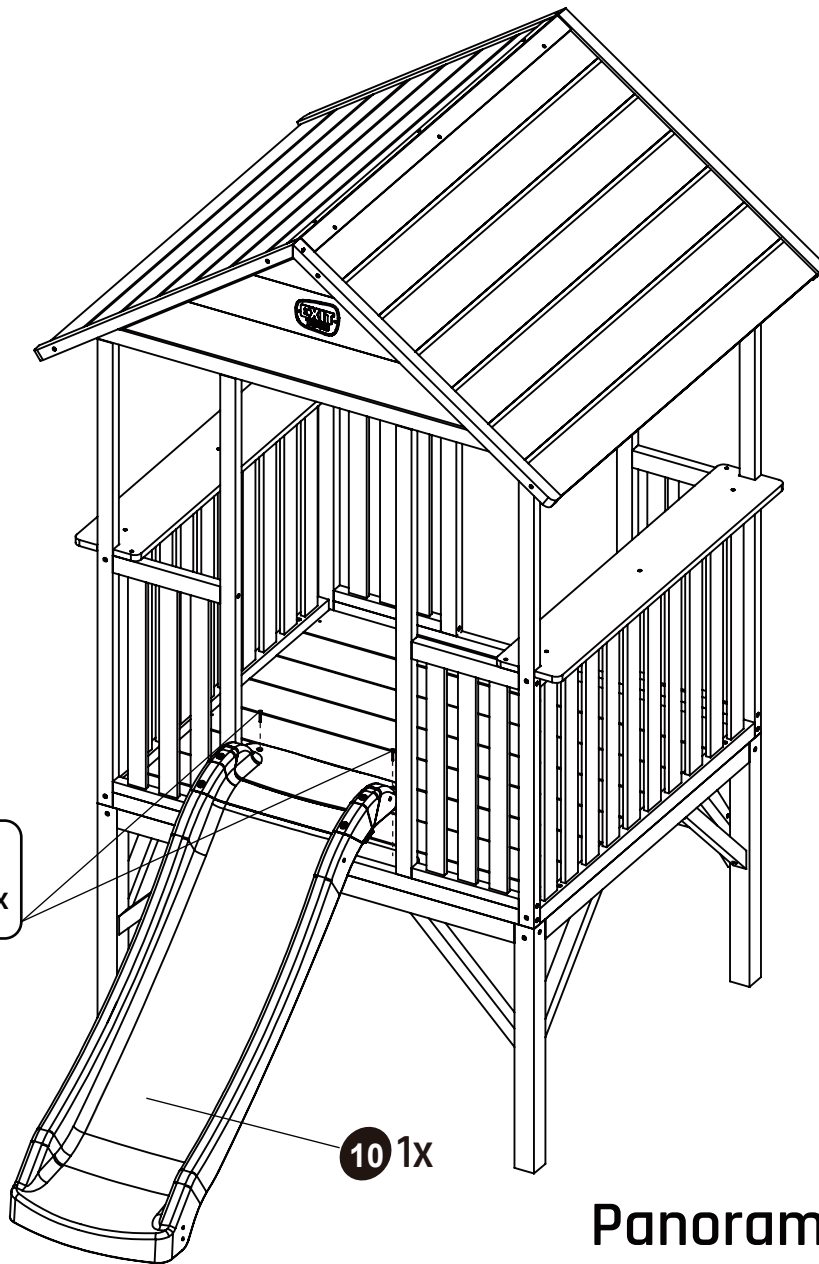


11

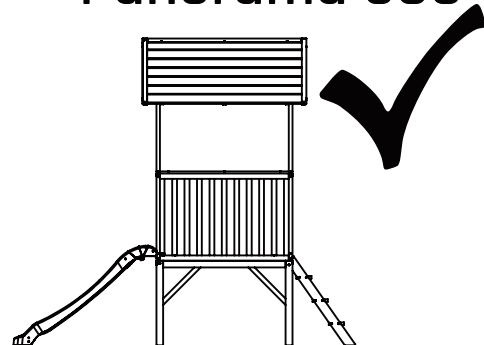




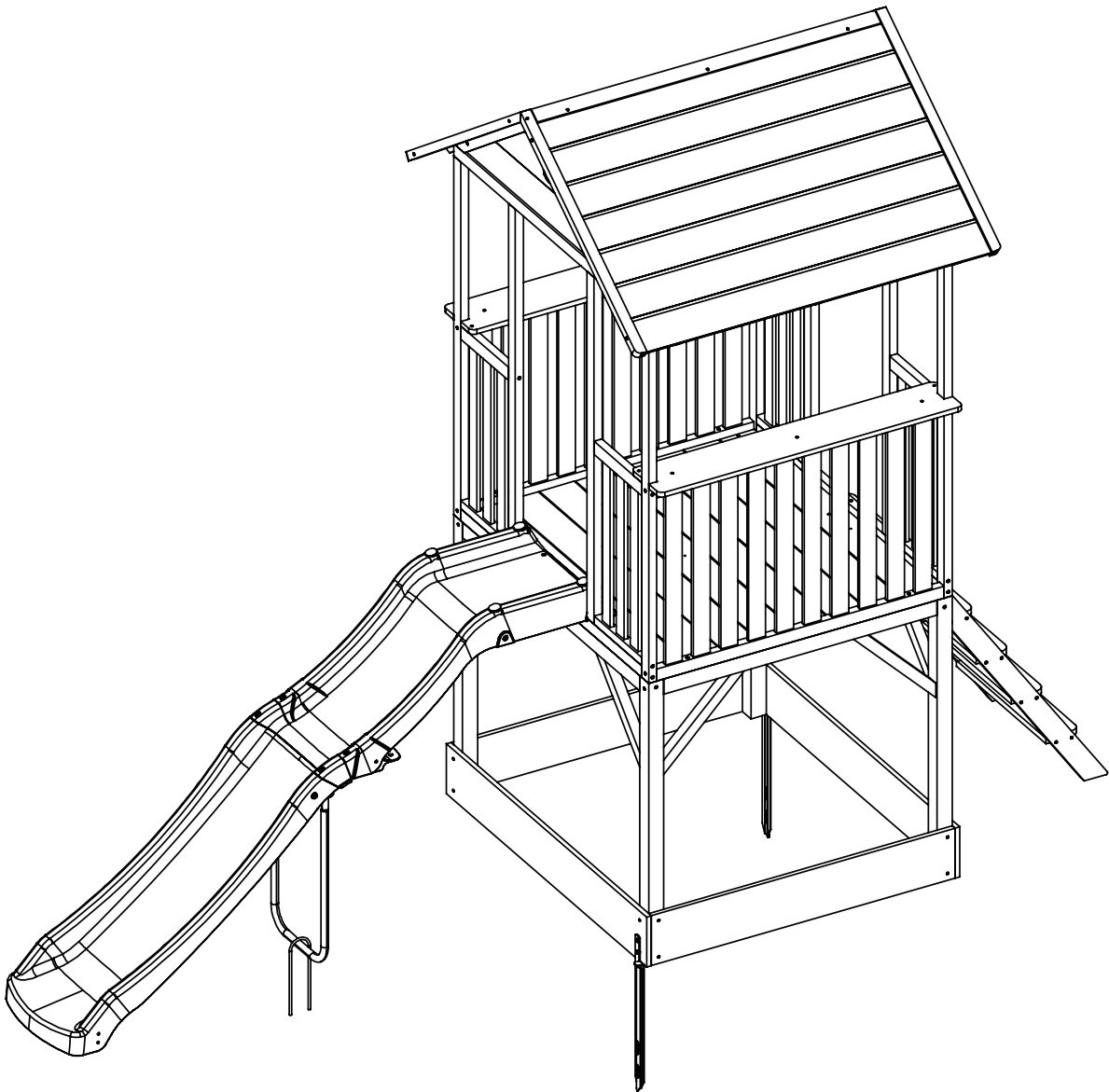
11



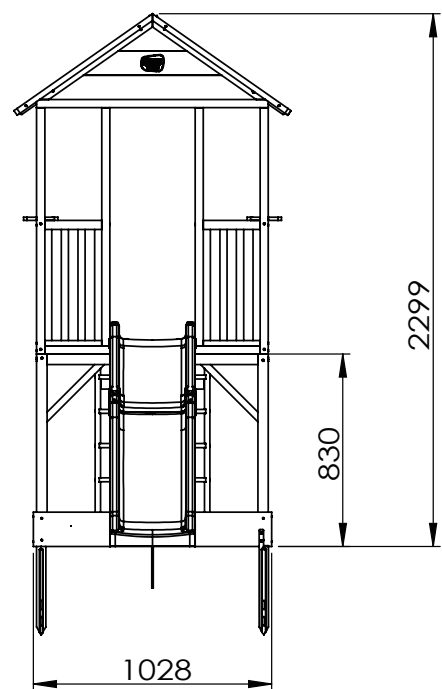
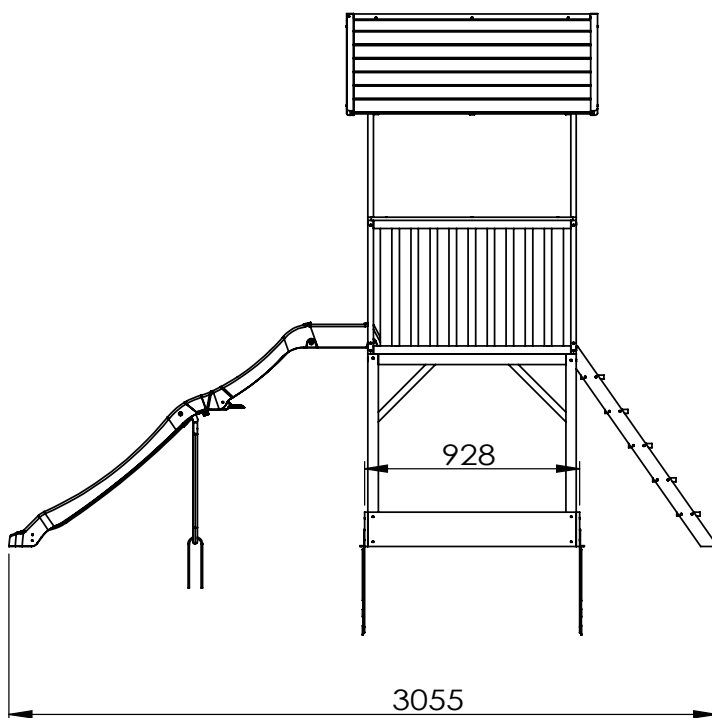
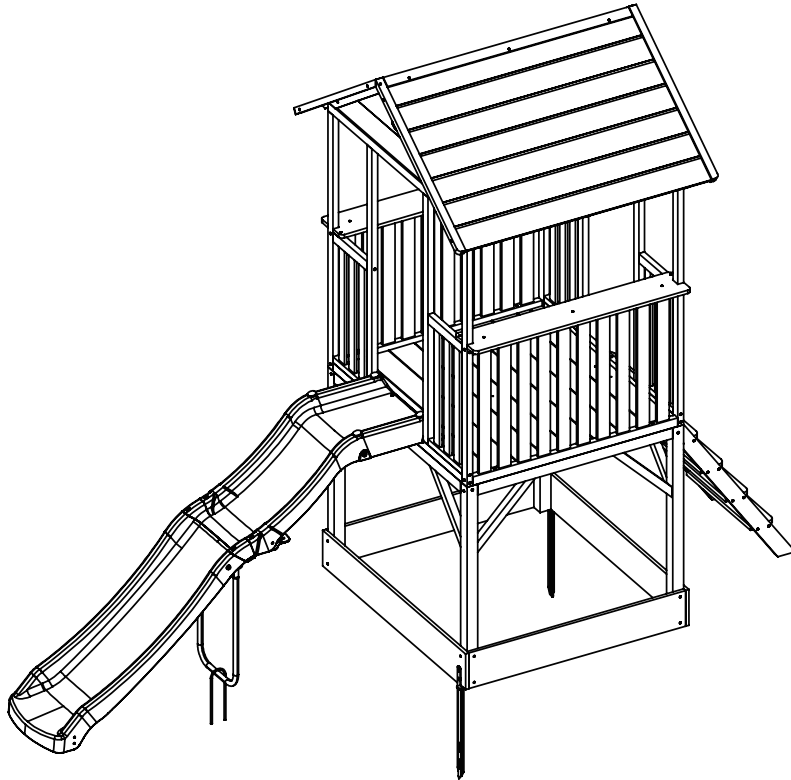
Panorama 300



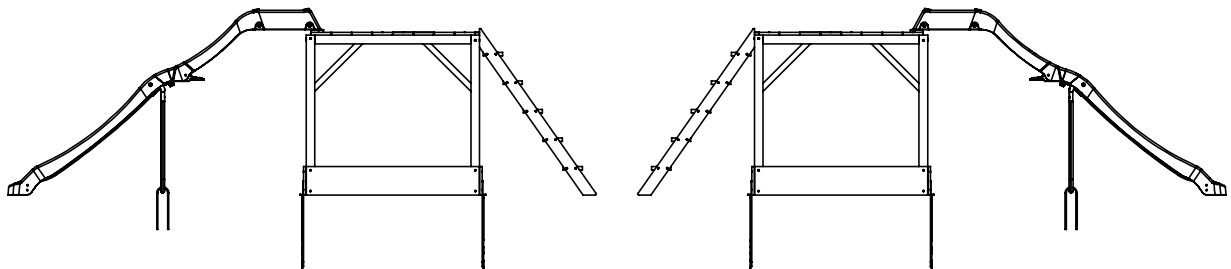
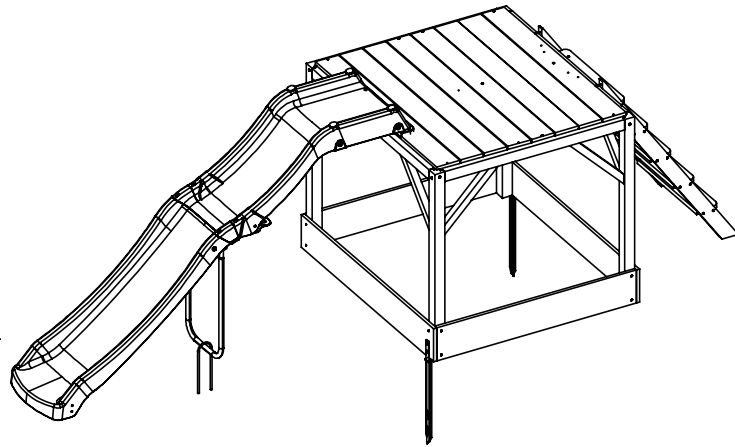
Panorama 500



Panorama 500

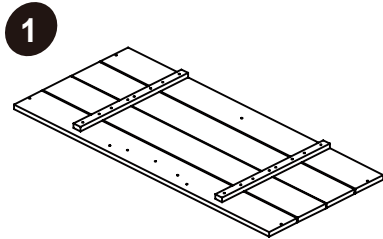


Platform 500

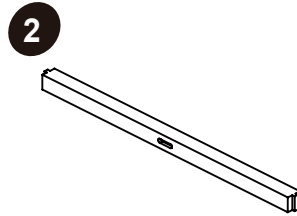


 **22.5kg**

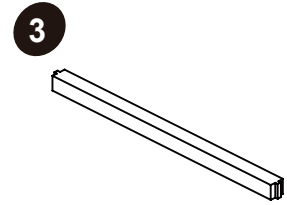
The weight information is presented with a small icon of a weight scale on the left, followed by the text "22.5kg" in a bold font.



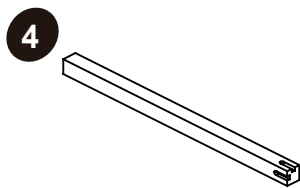
68.70.40.01 2x



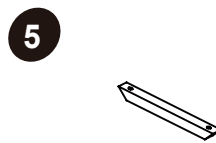
68.70.40.02 2x



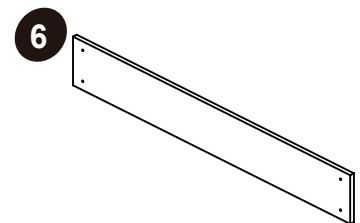
68.70.40.03 3x



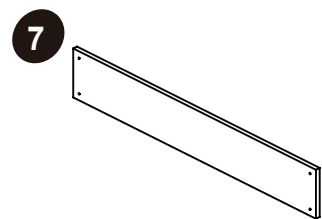
68.70.50.01 4x



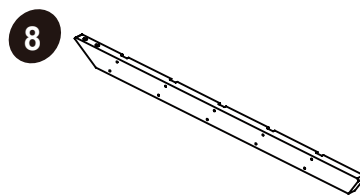
68.70.40.04 8x



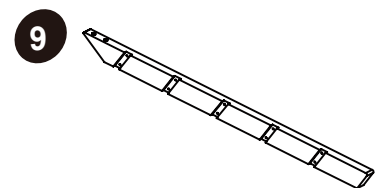
68.70.50.02 2x



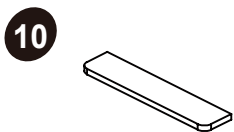
68.70.50.03 2x



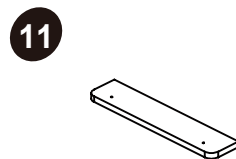
68.70.50.04 1x



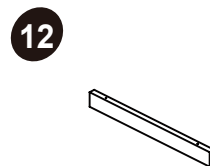
68.70.50.05 1x *



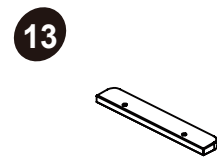
68.70.40.05 4x



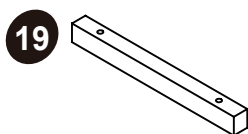
68.70.50.06 1x



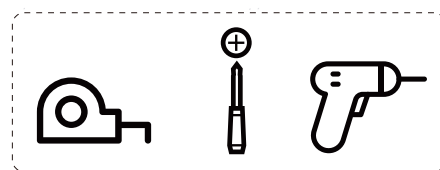
68.70.50.07 1x



68.70.50.08 1x



68.70.50.09 1x



* BOX REFERENCE: XX.XX
PRODUCTION ID: XXX XXX



68.70.50.80



14

$\phi 4 \times 70$ 12x



15

$\phi 4 \times 50$ 6x



16

$\phi 3.5 \times 40$ 24x



17

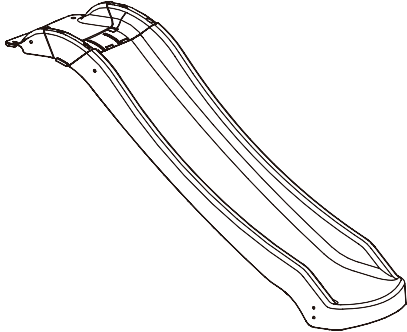
$\phi 3 \times 35$ 44x



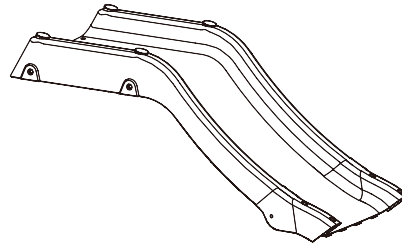
18

$\phi 3.5 \times 30$ 4x

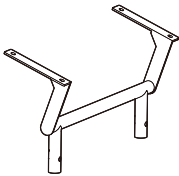
S1



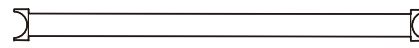
S2



S3



S4



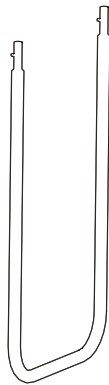
300mm 2x

S5



306mm 2x

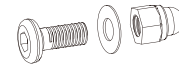
S6



S7

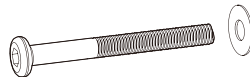


S8



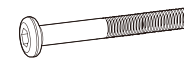
M6x15 9x

S9



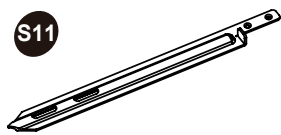
M6x58 4x

S10



M6x50 2x

S11



52.99.01.00 2x

S12



M4.5x40 4x

52.99.02.00

T1



Tool 1x

T2



Tool 1x

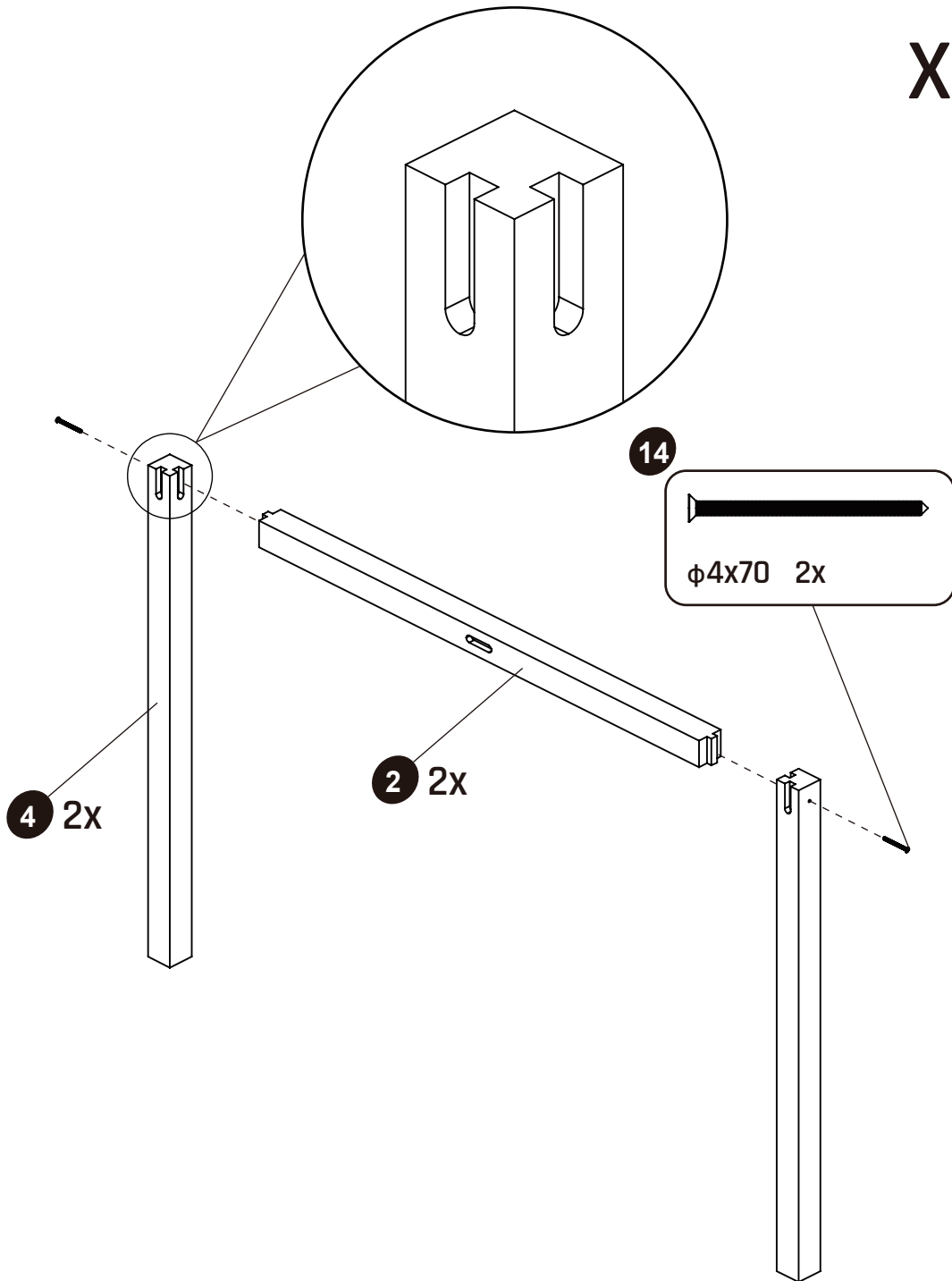
T3



Tool 1x

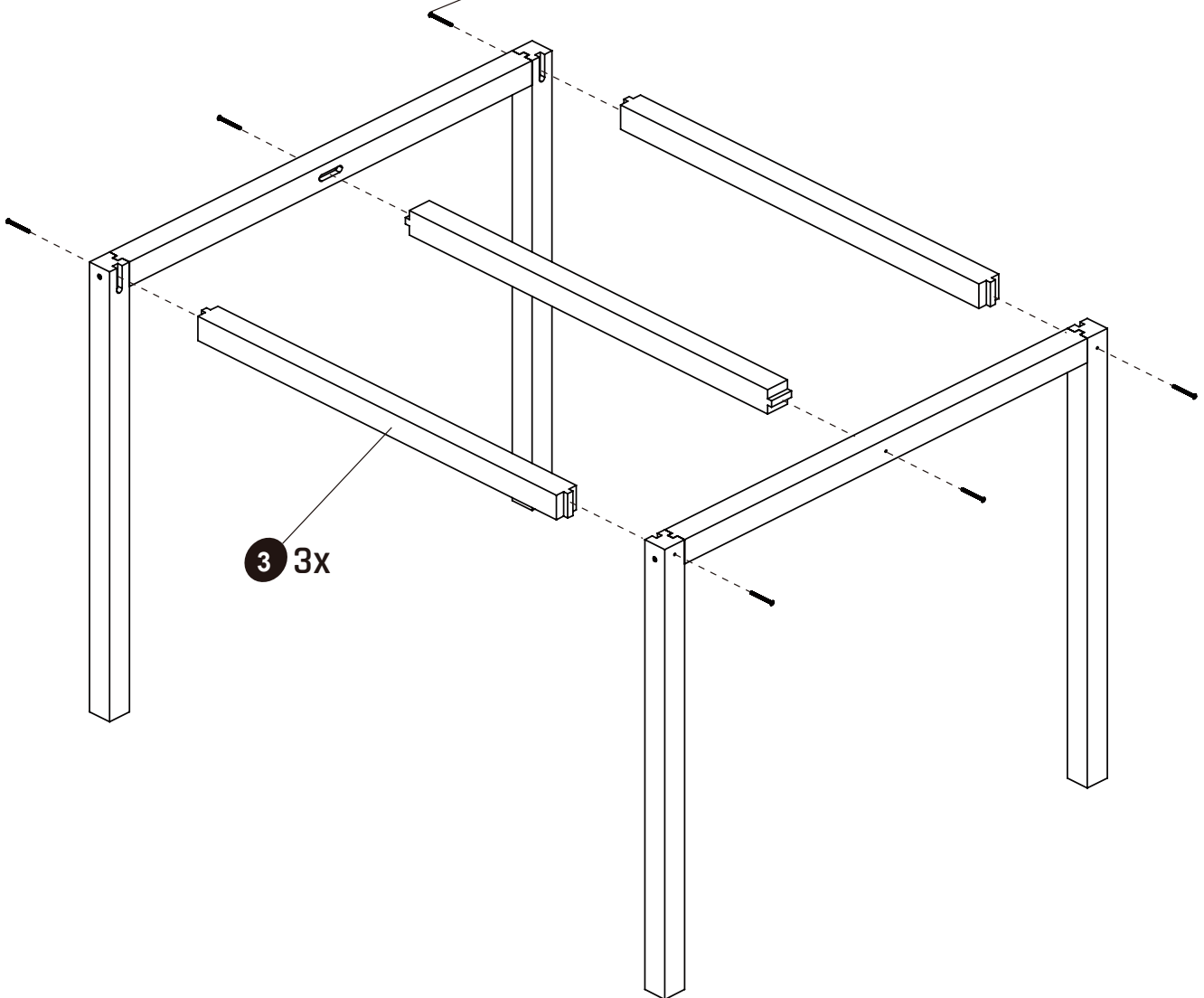
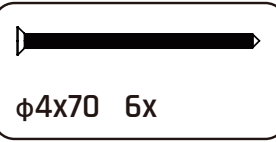
1

X2

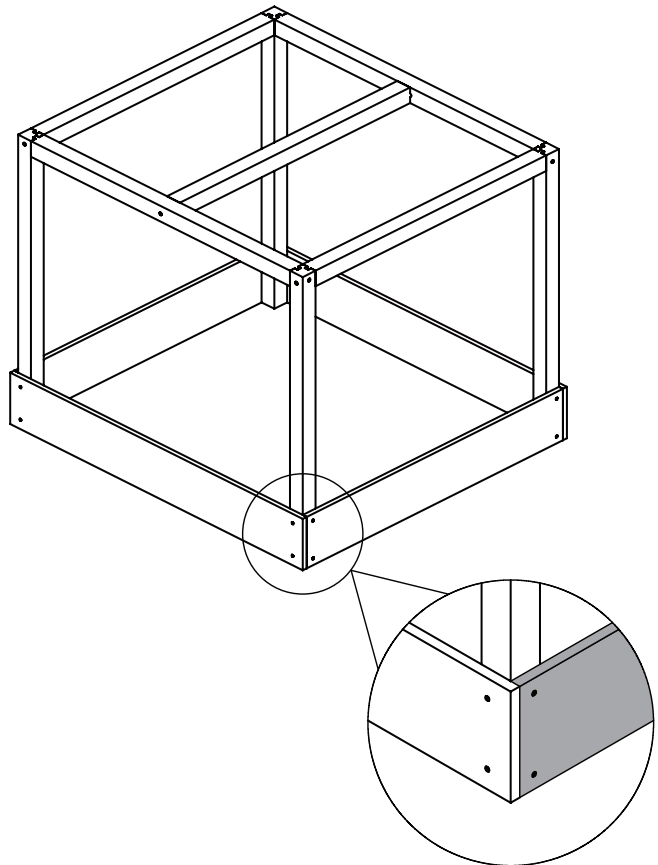
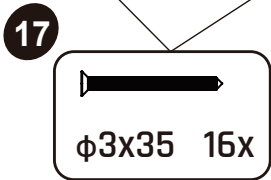
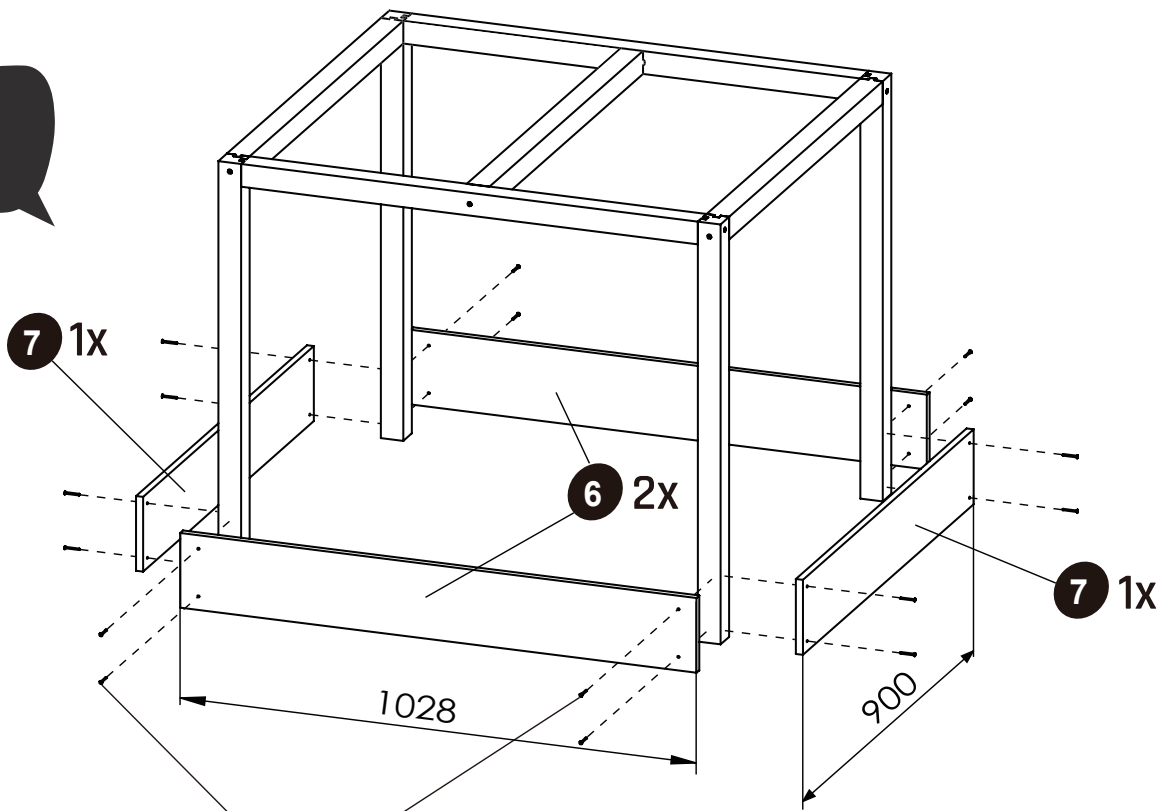


2

14

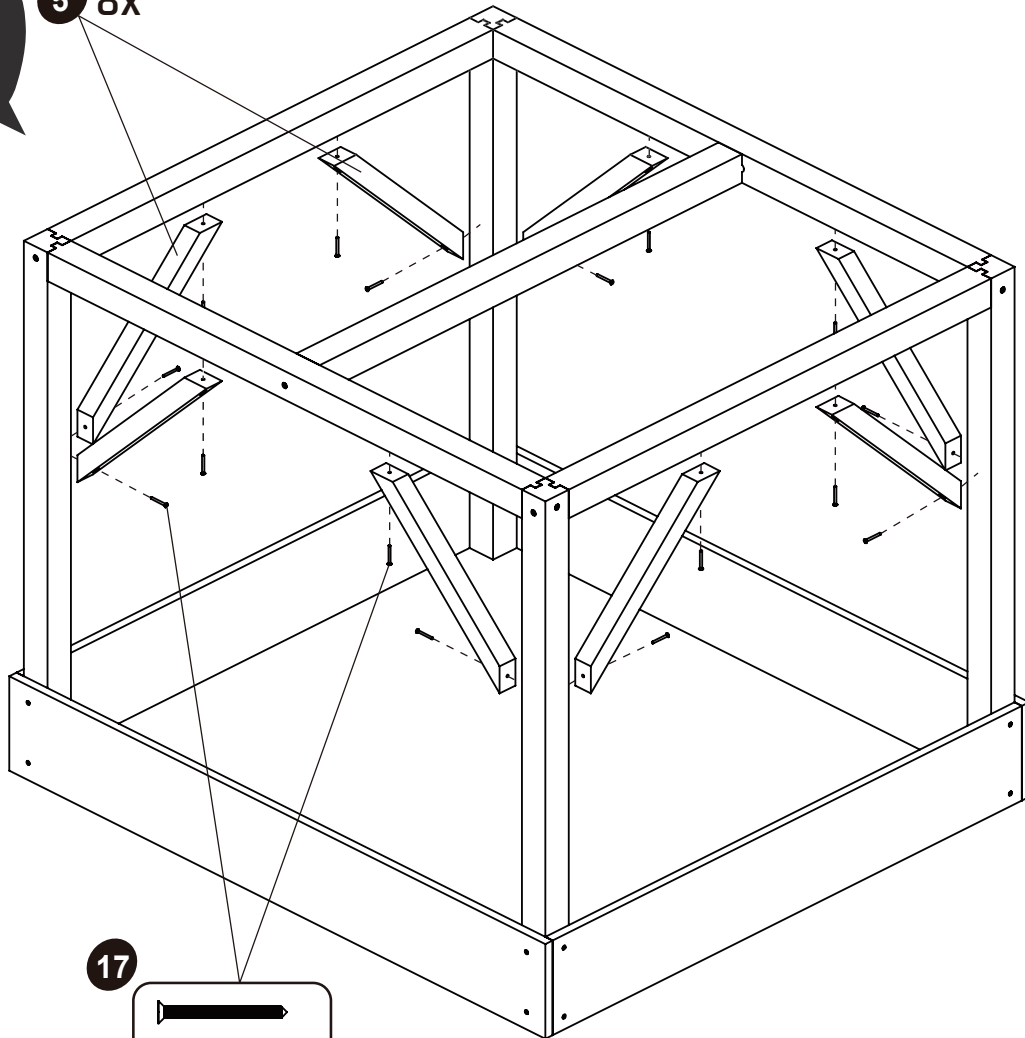


3

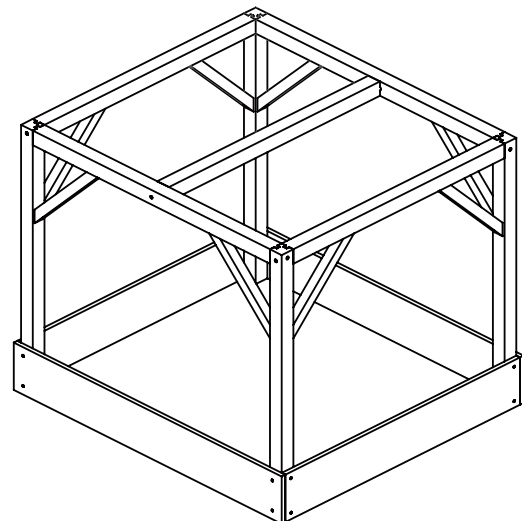
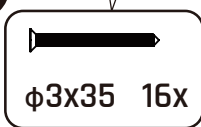


4

5 8x



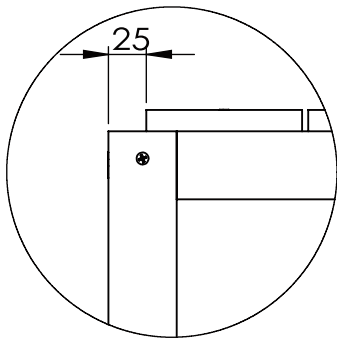
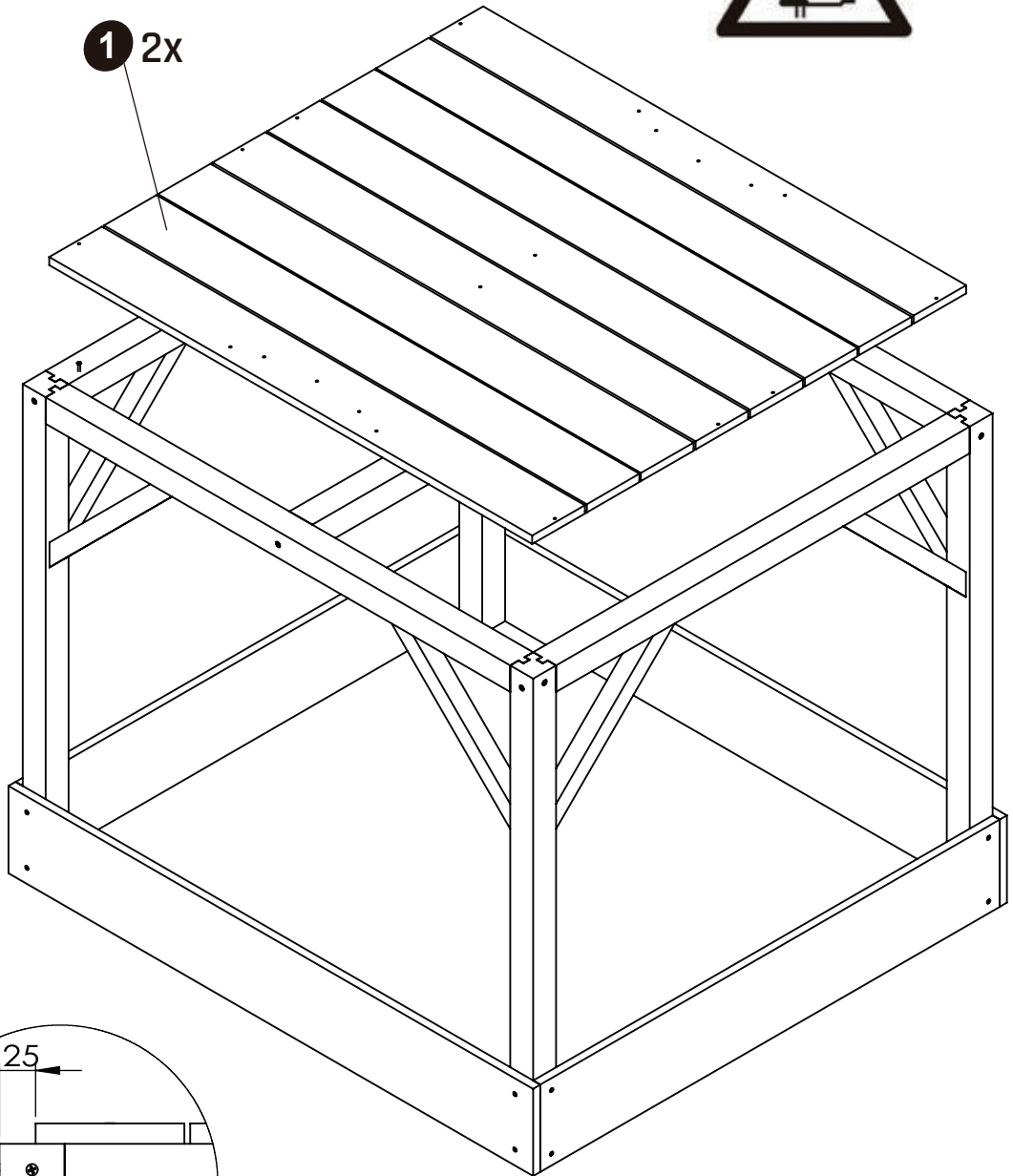
17



5



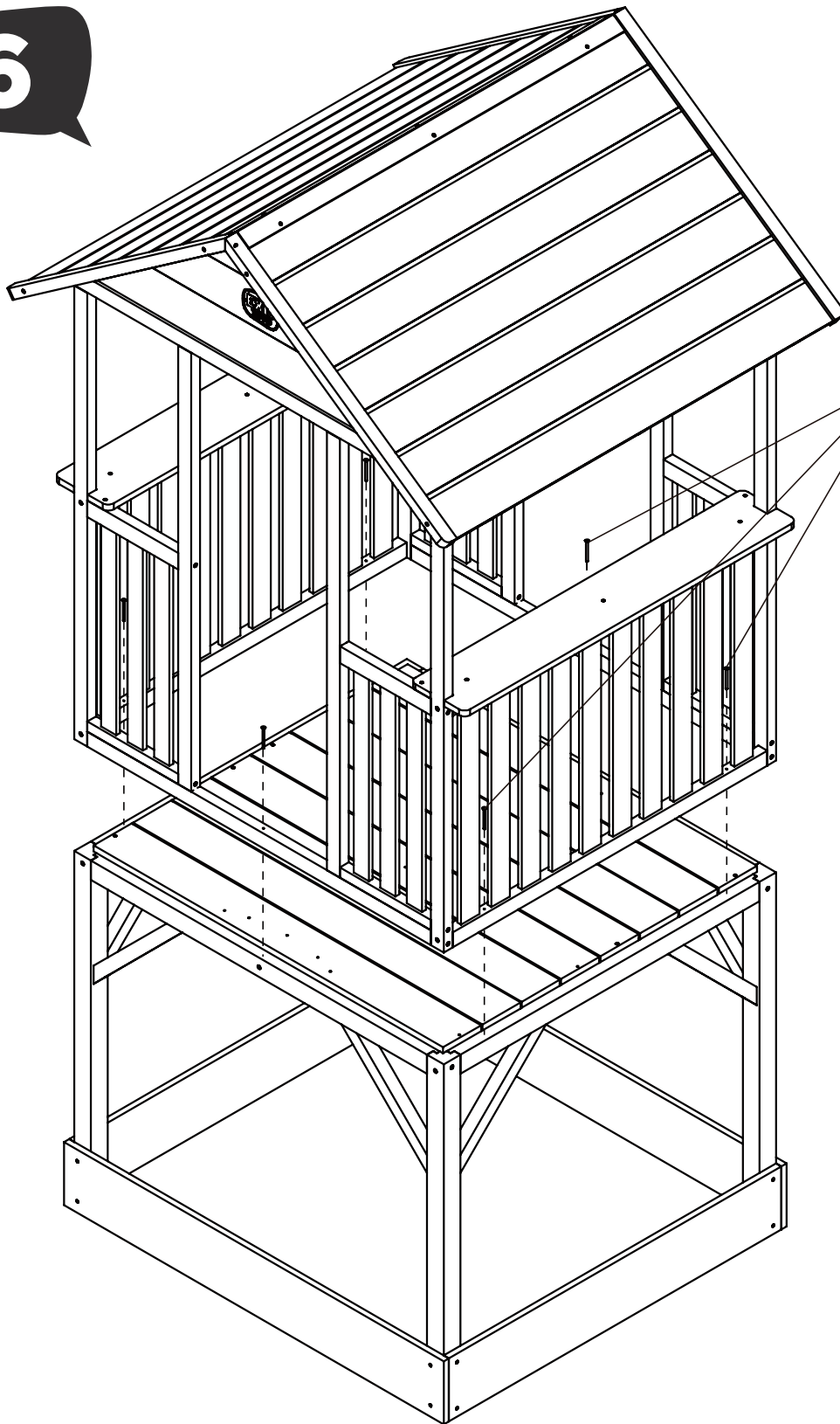
1 2x



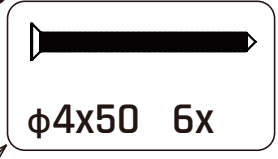
Playhouse

EXIT Panorama

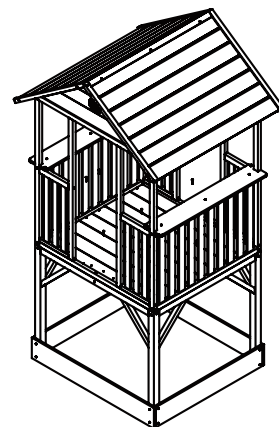
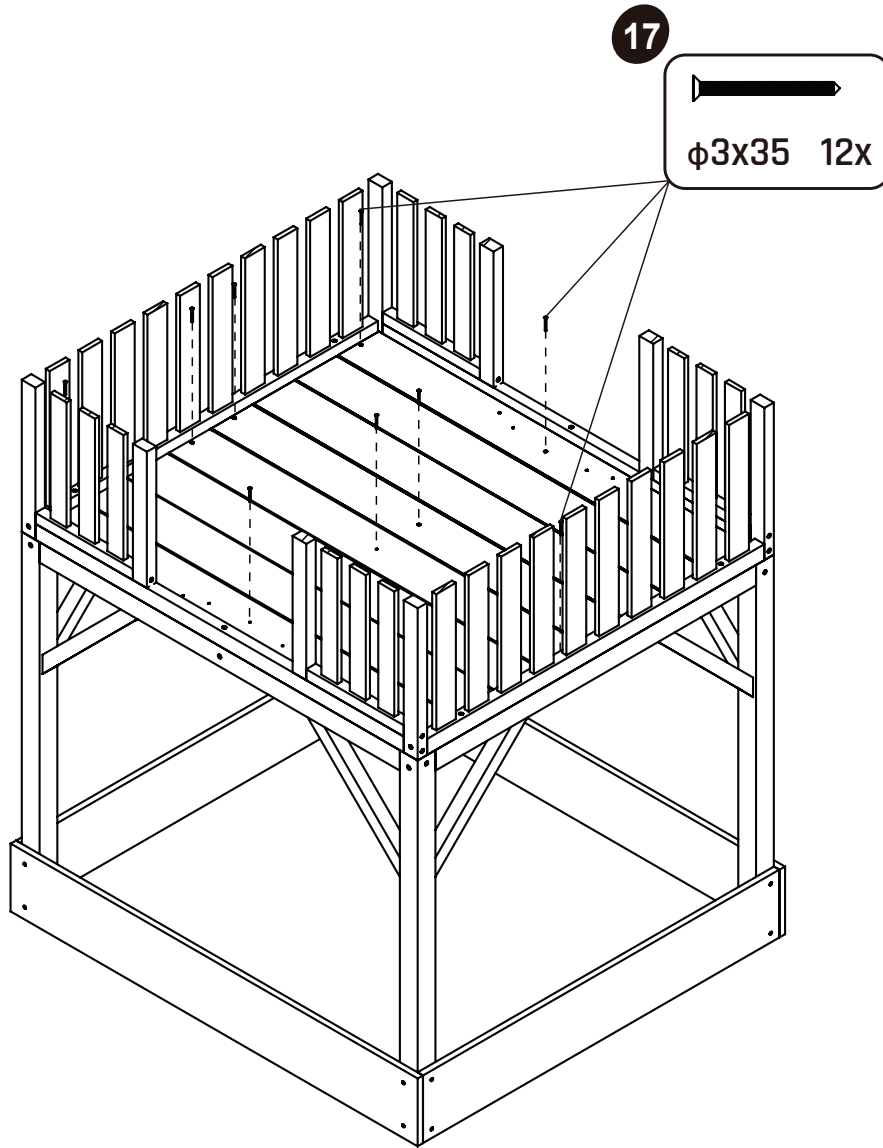
6



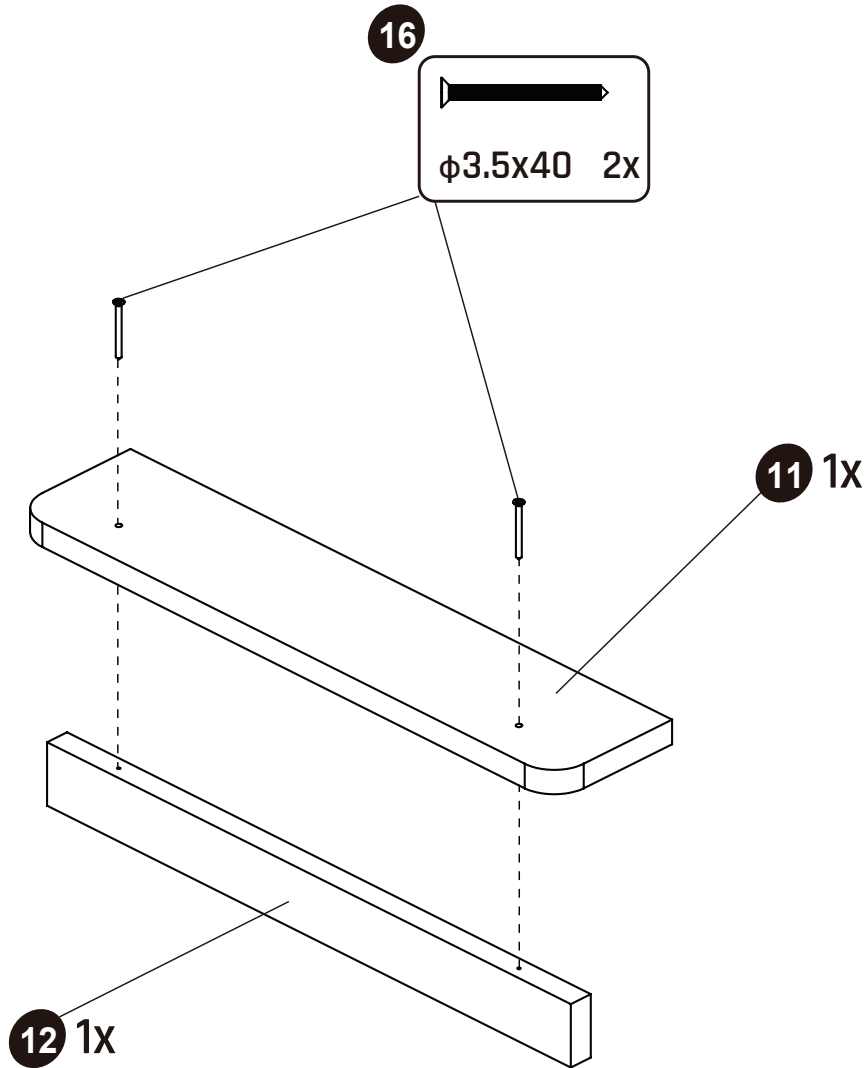
15



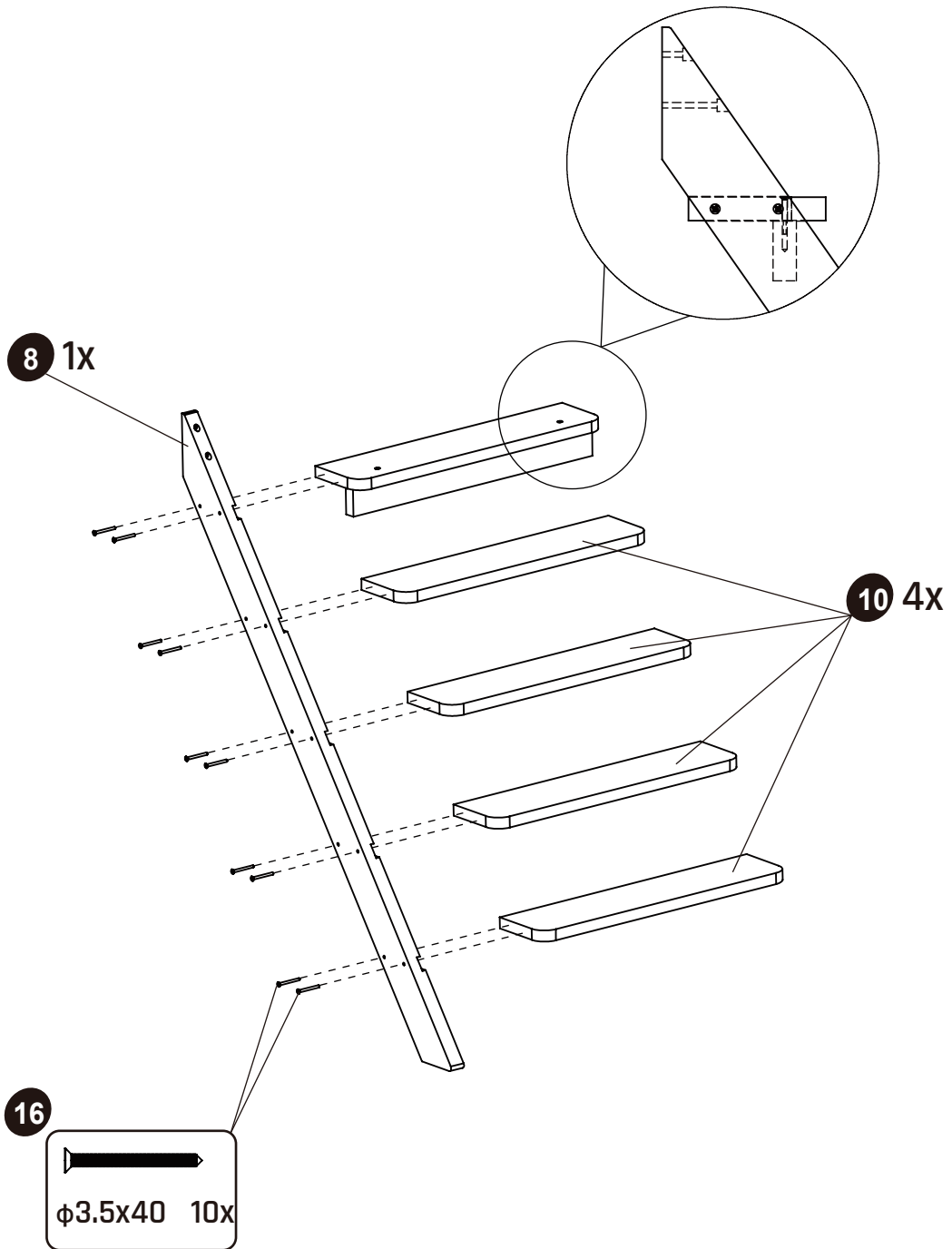
7



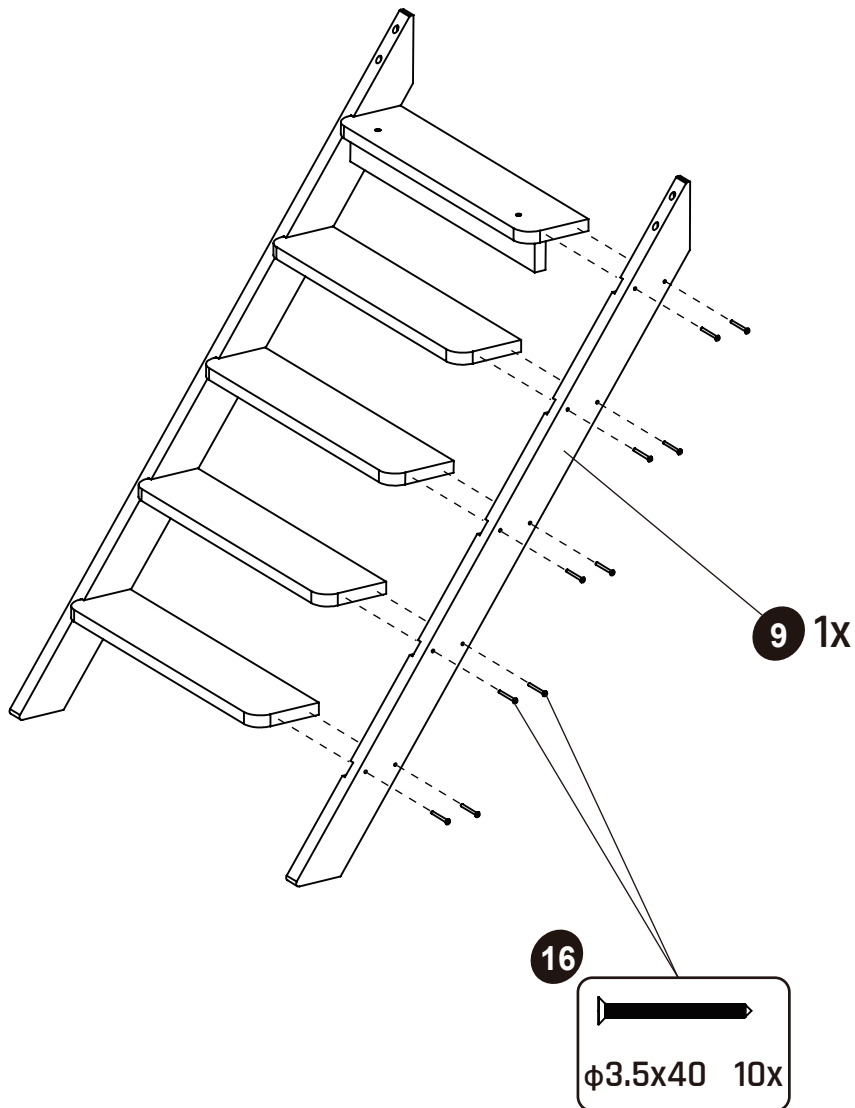
8



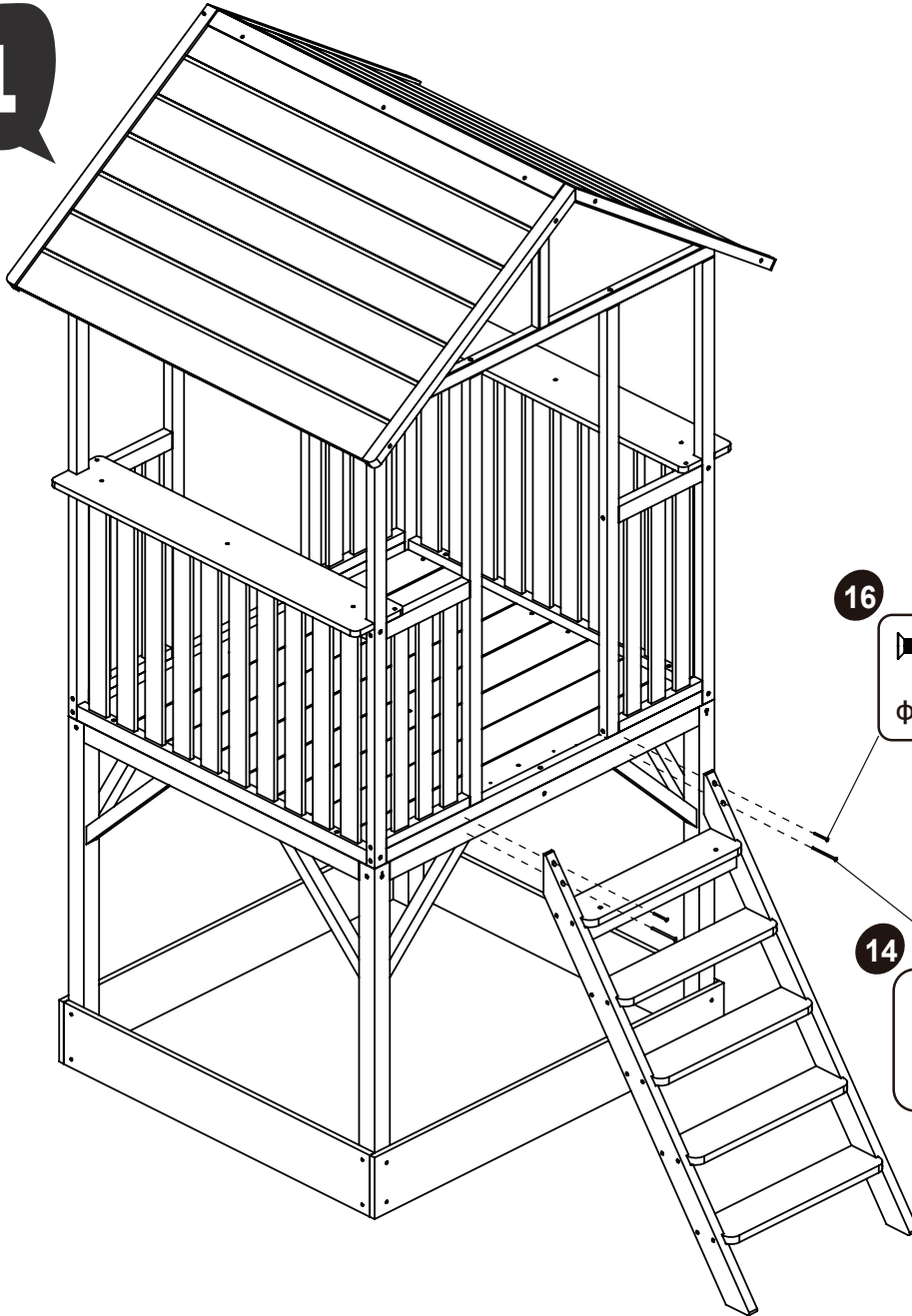
9





10

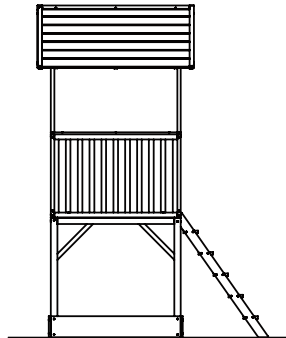
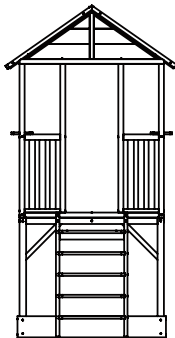


11

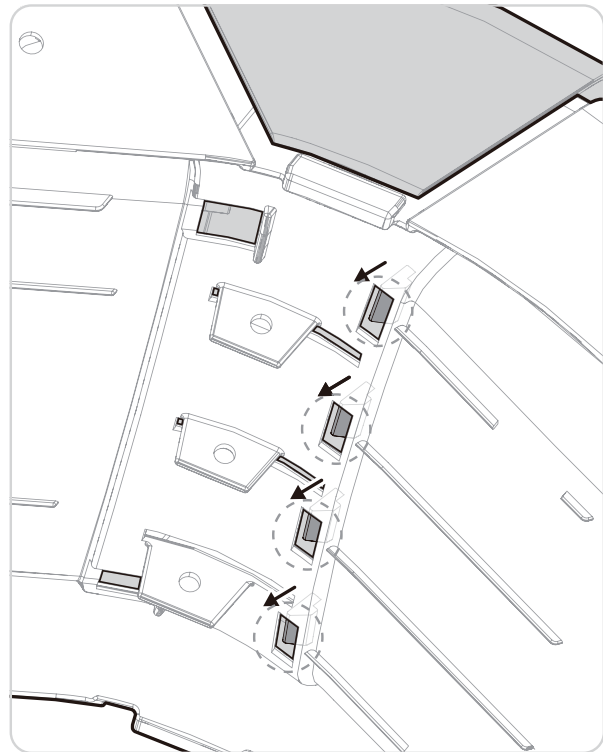
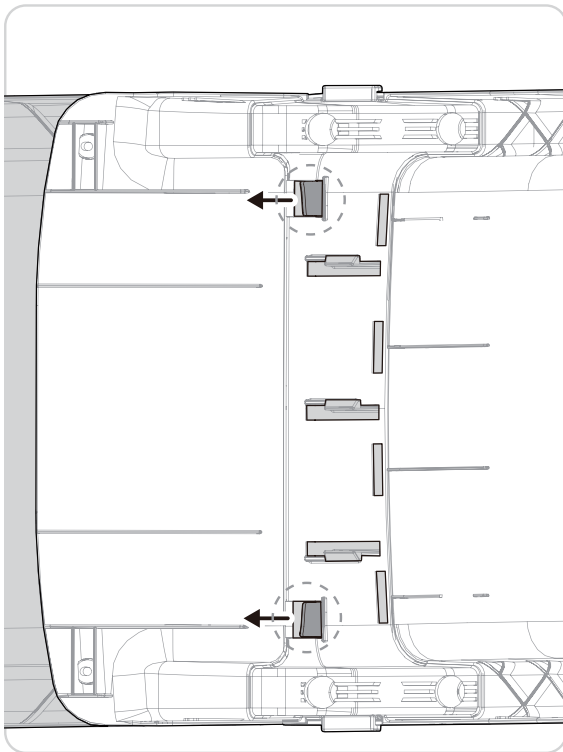
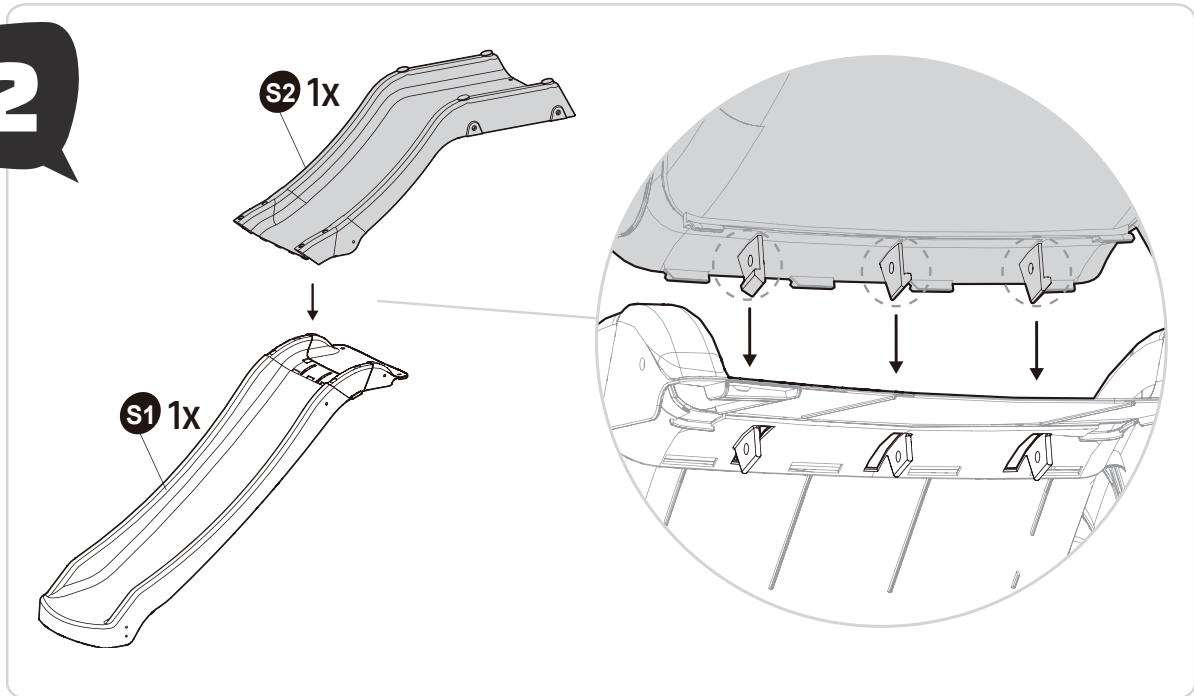


16

φ3.5x40 2x

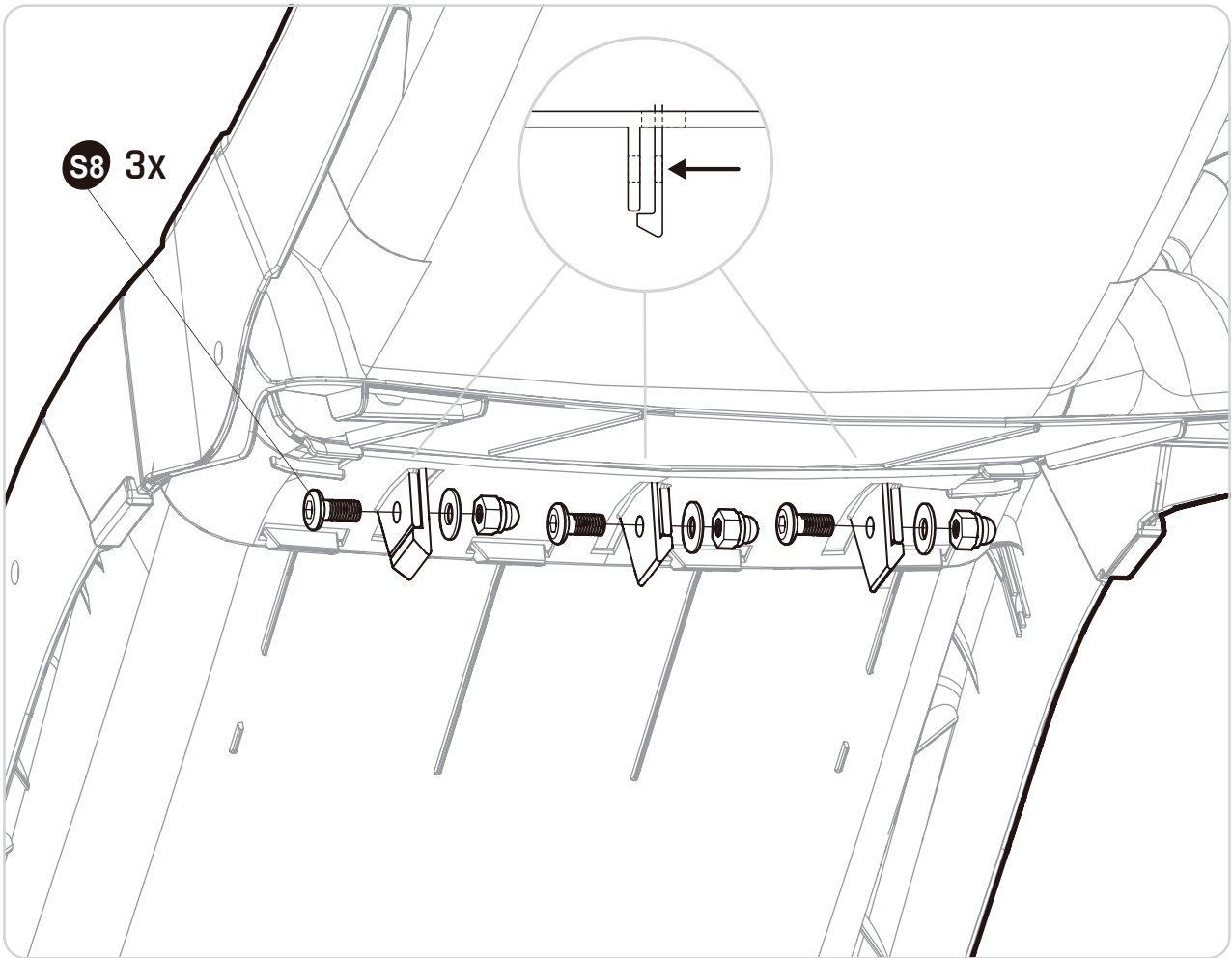
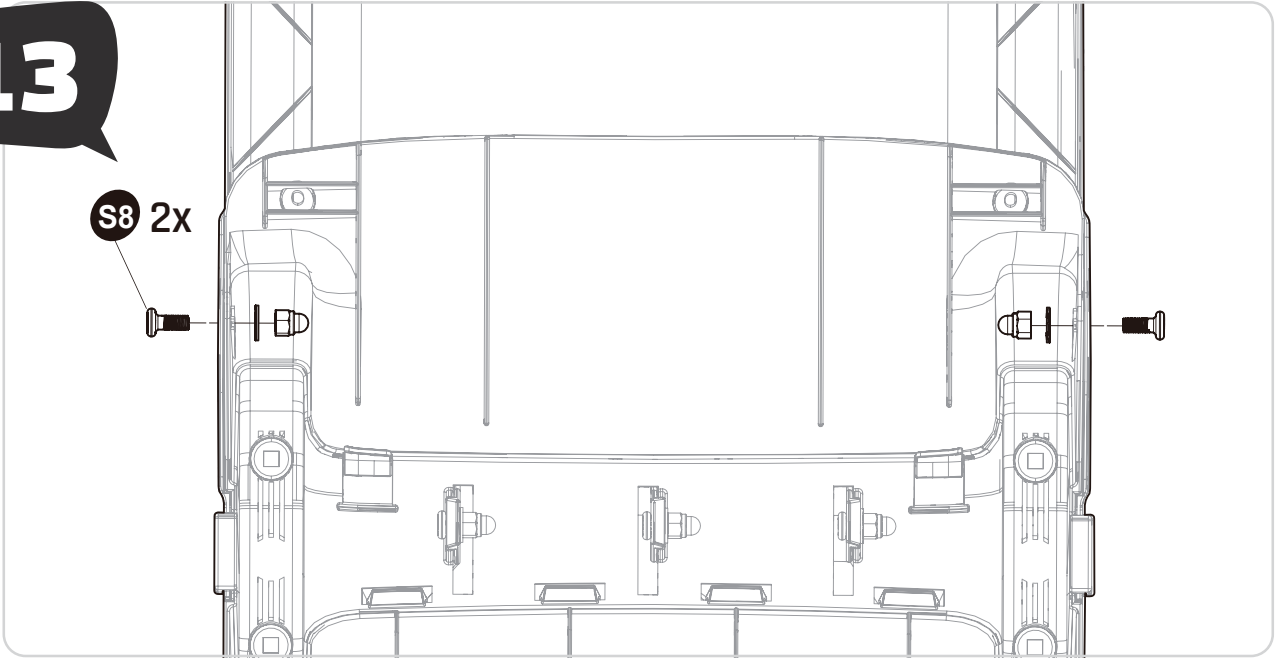
14

φ4x70 2x



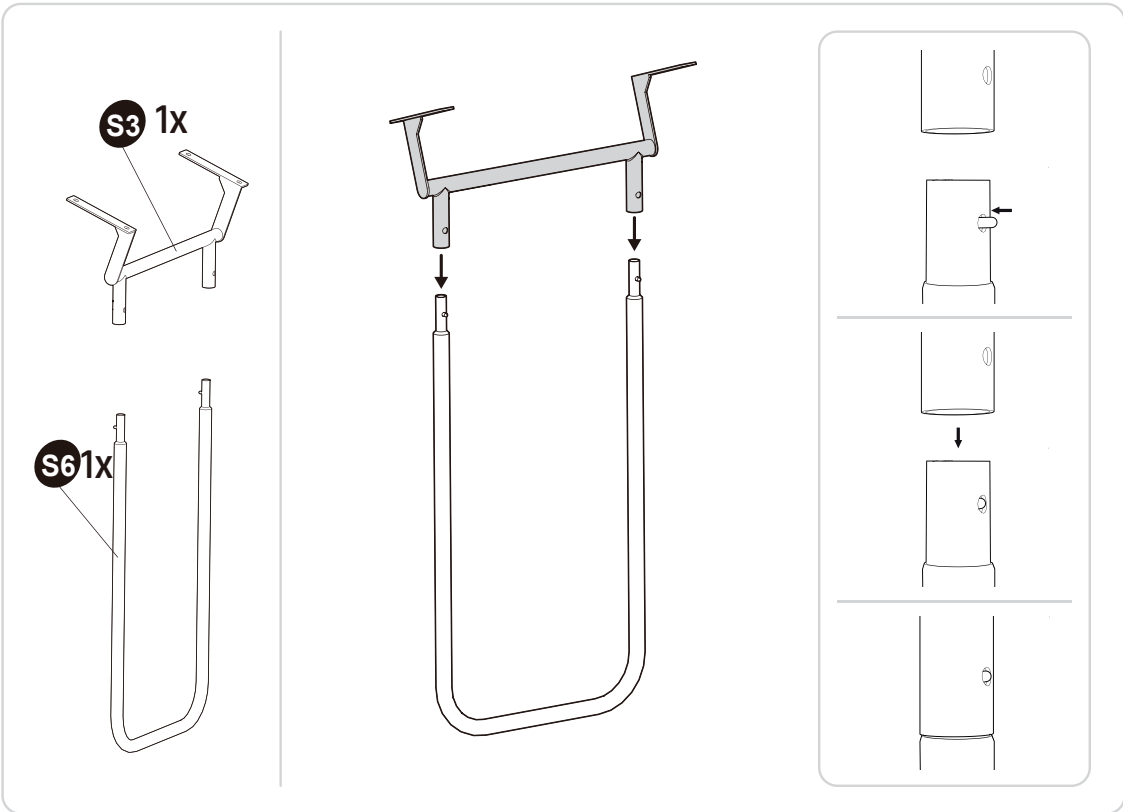
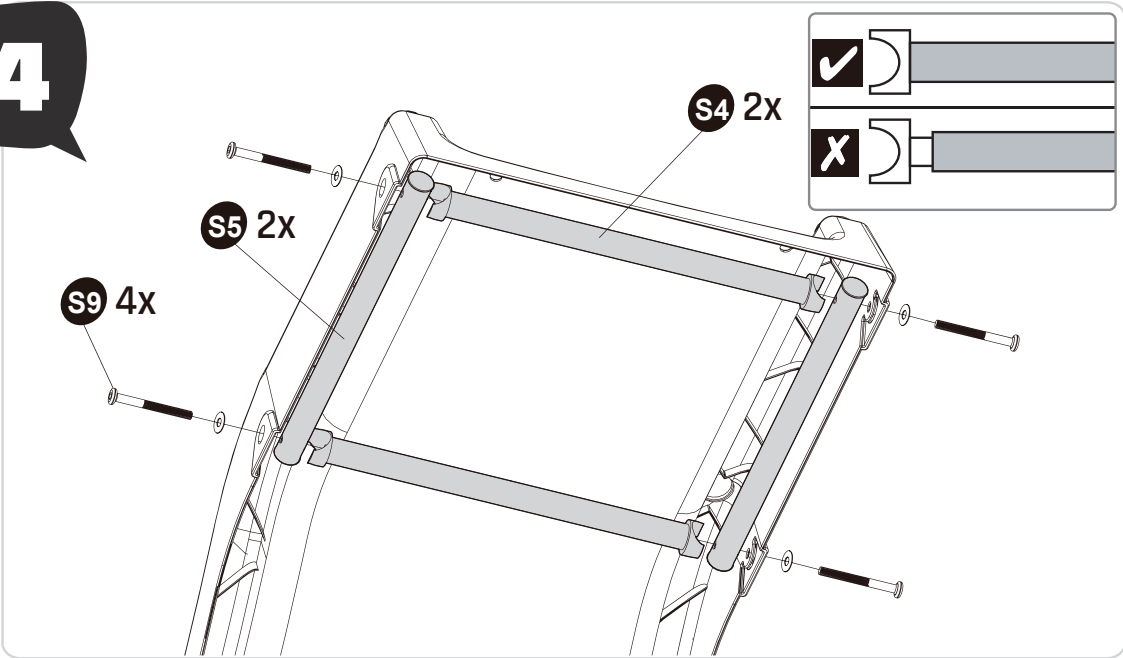
12



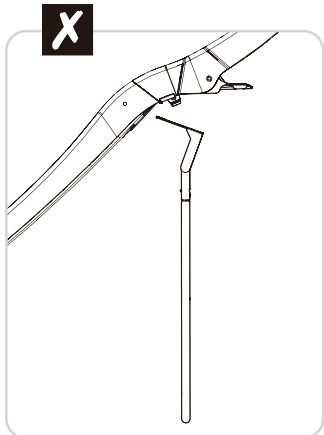
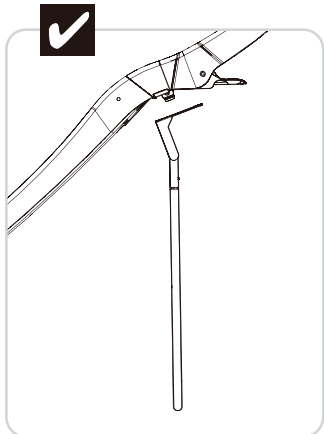
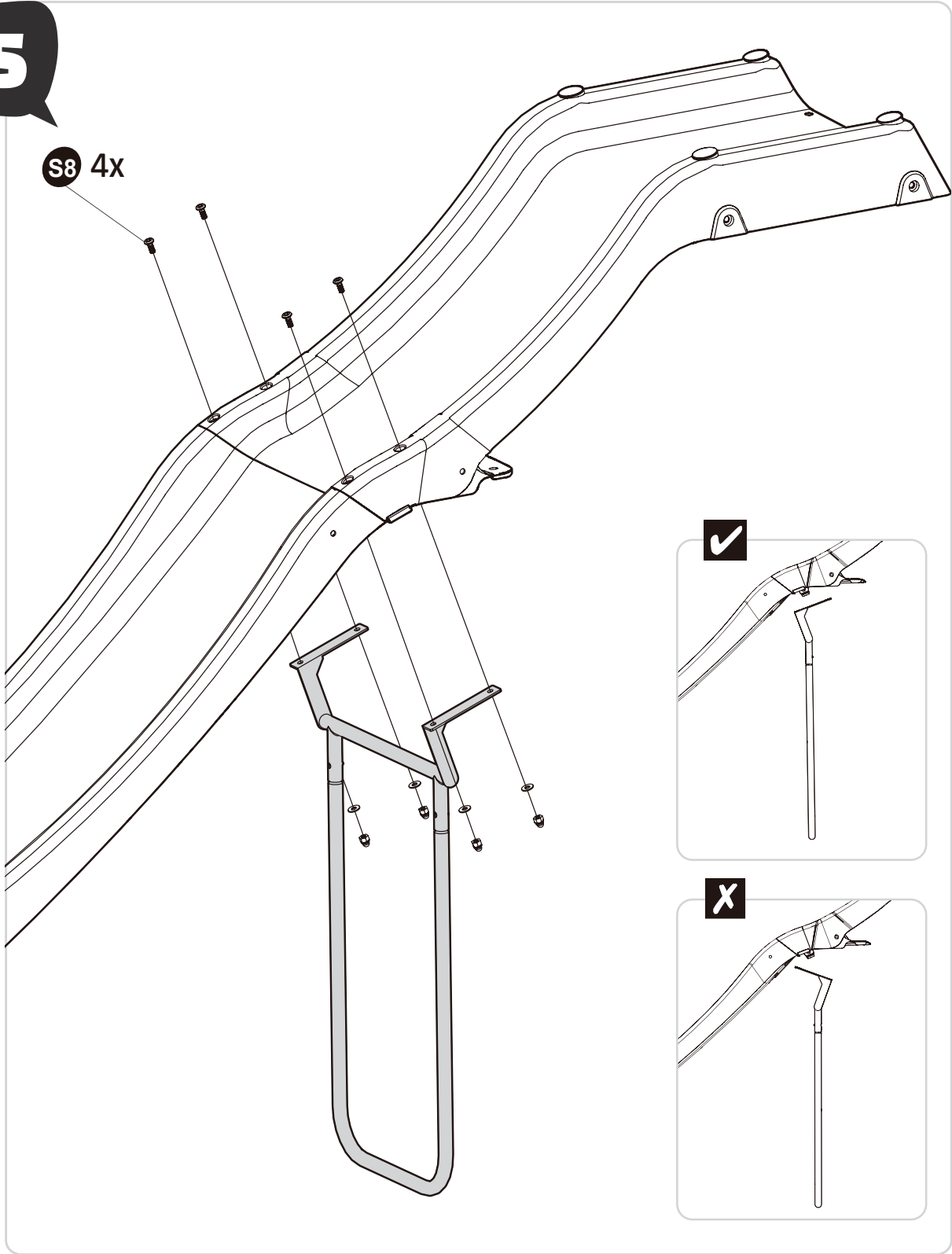
13



14

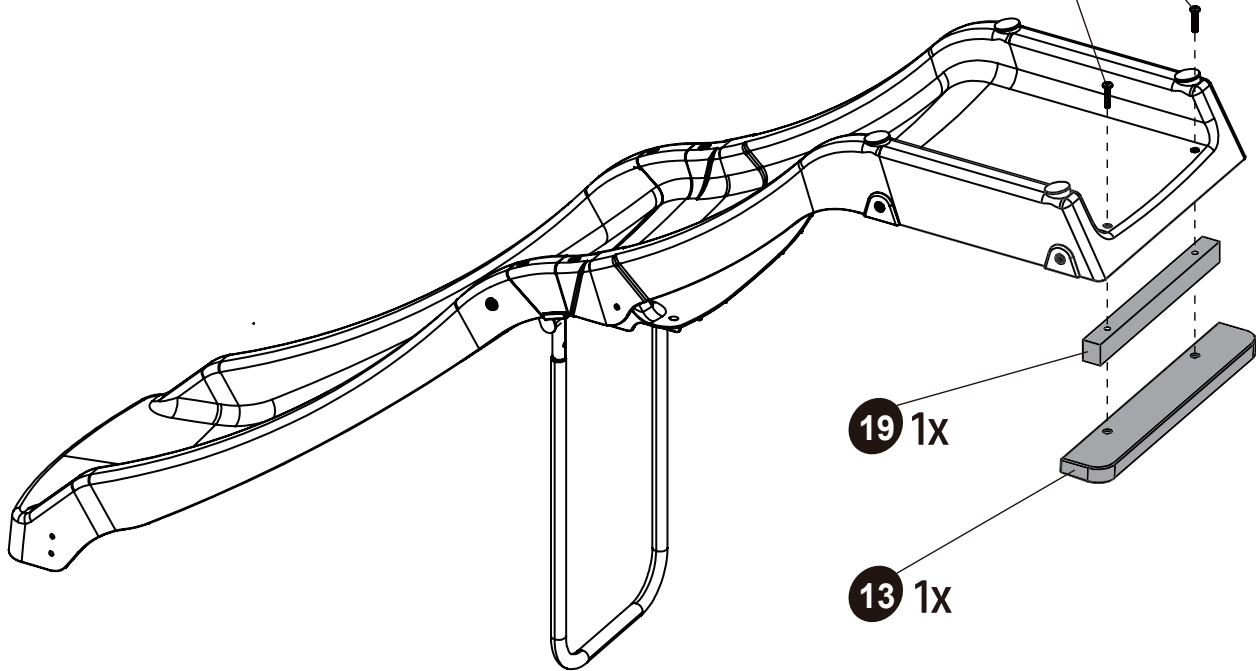
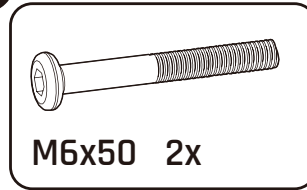


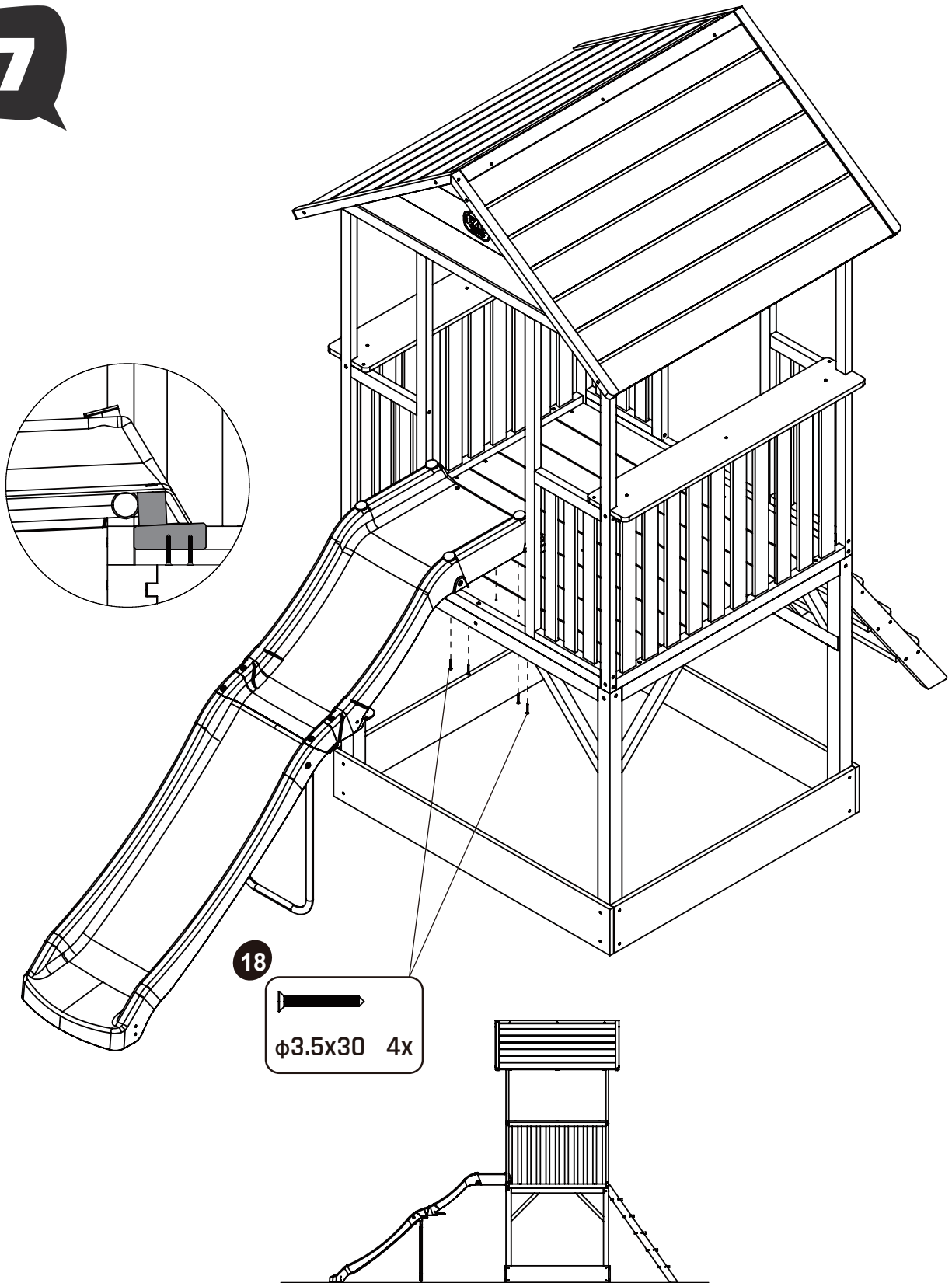
15



16

S10



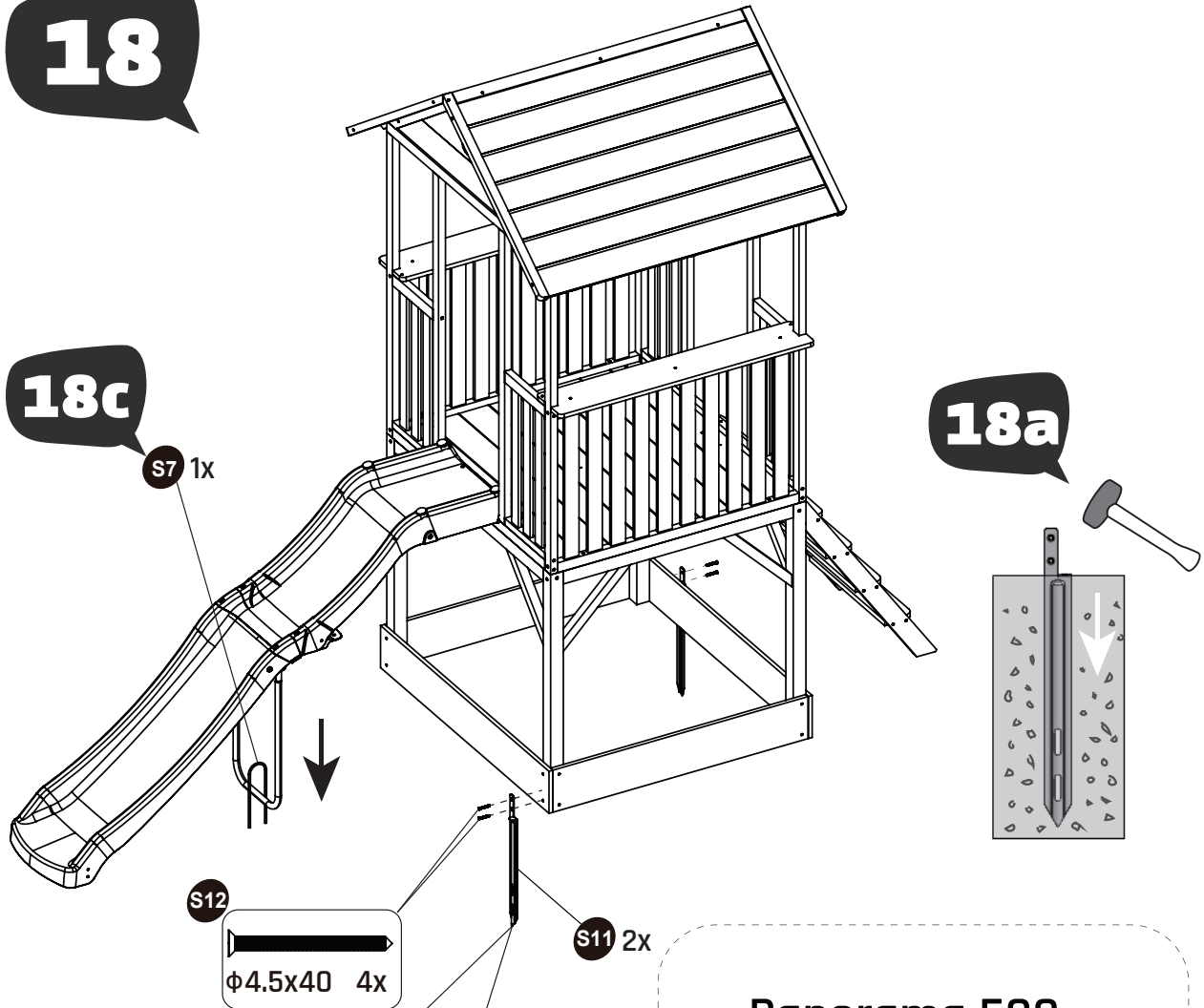


18

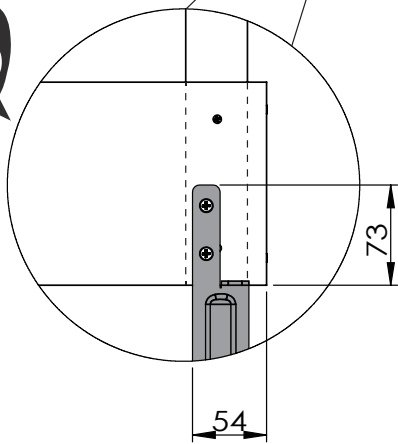
18c

S7 1x

18a



18b





www.exittoys.com



Contact Information:

Dutch Toys Group B.V.
Edisonstraat 83
7006 RB Doetinchem, The Netherlands

info@exittoys.com
www.exittoys.com

EXIT Toys is part of:

SIMBA · DICKIE · GROUP

EXIT Toys is a registered trade mark of Dutch Toys Group