

REALITY

modern furniture

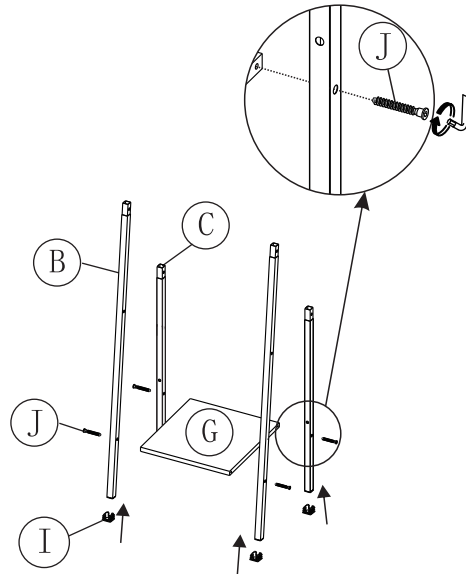
8606



NO.	Qty	Sketch
A	2	
B	2	
C	2	
D	1	
E	1	
F	1	
G	1	
H	1	
I	4	
J	16	6. 3x40
K	4	M6x27
L	4	M6
M	1	
N	1	
O	1	st4x40
P	1	st4. 2x13
Q	1	
R	1	

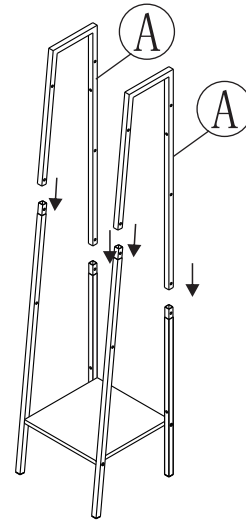
1

Bx2
Cx2
Jx4
Ix4
Gx1



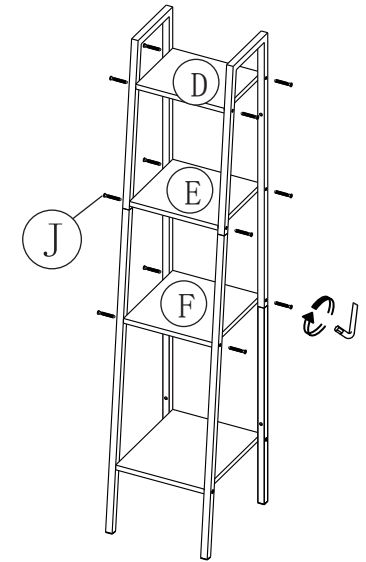
2

Ax2



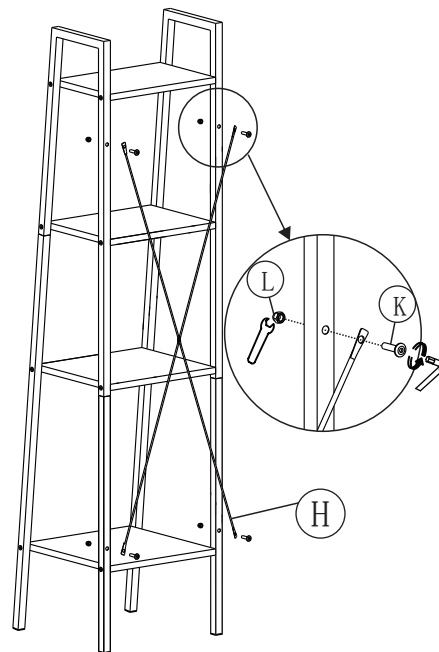
3

Dx1
Ex1
Fx1
Jx12



4

Kx4
Lx4
Hx1



5

Mx1
Nx1
Ox1
Px1

