

(EN) **Assembly instructions**

(DE) **Montageanleitung**

(DA) **Montagevejledning**

(IT) **Istruzioni di Montaggio**

(FR) **Notice de Montage**

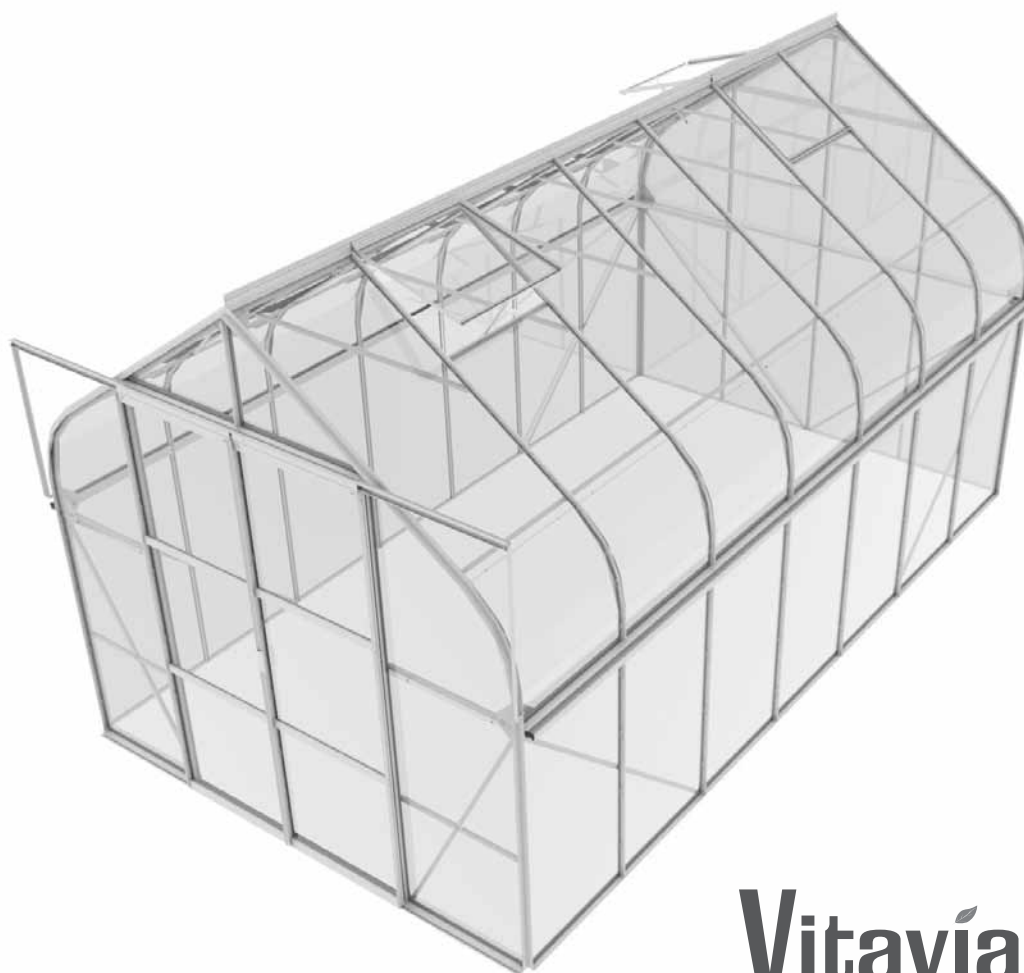
(SV) **Monteringsanvisning**

(PL) **Instrukcja Montażu**

(NL) **Montage Instructies**

(NO) **Montasjeveiledning**

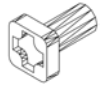

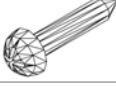
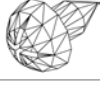
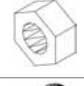


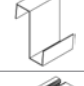
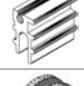








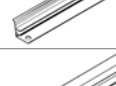

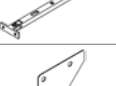
(SL) **Navodila za Montažo**


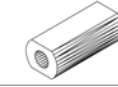


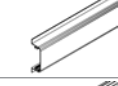
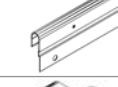
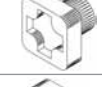

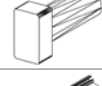


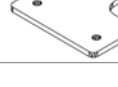




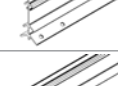
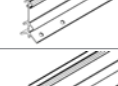
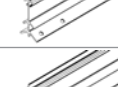



**Vitavía**  
- makes living grow

---

**VM0006-DS**  
**5000, 6700, 8300, 9900, 11500**

| Item No. | Part  | Sect. Ref. | Size mm                                      | Quantity per           |                        |                        |                        |                        |
|----------|---|------------|--|------------------------|------------------------|------------------------|------------------------|------------------------|
|          |   |            |  | 5000                   | 6700                   | 8300                   | 9900                   | 11500                  |
| 1001     |        | 1-6        | M6 x 12                                      | 184x                   | 211x                   | 228x                   | 256x                   | 272x                   |
| 1002     |        | 1-6        | M6   | 187x                   | 214x                   | 231x                   | 259x                   | 275x                   |
| 1003     |        | 5          | 3.5 x 16                                     | 32x                    | 32x                    | 32x                    | 32x                    | 32x                    |
| 1006     |        | 6          | 3.5 x 6                                      | 6x                     | 12x                    | 12x                    | 24x                    | 24x                    |
| 1007     |        | 5          | M4   | 4x                     | 4x                     | 4x                     | 4x                     | 4x                     |
| 1009     |        | 5          | Ø8/4   | 4x                     | 4x                     | 4x                     | 4x                     | 4x                     |
| 1011     |        | 7          | 70   | 306x                   | 358x                   | 414x                   | 462x                   | 518x                   |
| 1012     |        | 7          | 11   | 87x                    | 105x                   | 125x                   | 141x                   | 161x                   |
| 1014     |       | 5          | 20   | 4x                     | 4x                     | 4x                     | 4x                     | 4x                     |
| 1015     |      | 5          | Ø22  | 4x                     | 4x                     | 4x                     | 4x                     | 4x                     |
| 1017     |      | 4B         | 46   | 4x                     | 4x                     | 4x                     | 4x                     | 4x                     |
| 1019     |      | 6          | 15   | 1x                     | 2x                     | 2x                     | 4x                     | 4x                     |
| 1020     |  PVC | 7          | 80000<br>93000<br>105000<br>117000<br>130000 | 1x<br>-<br>-<br>-<br>- | -<br>1x<br>-<br>-<br>- | -<br>-<br>1x<br>-<br>- | -<br>-<br>-<br>1x<br>- | -<br>-<br>-<br>-<br>1x |
| 1032     |      | 1          | 1214   | 4x                     | 6x                     | 8x                     | 10x                    | 12x                    |
| 1063     |      | 6          | 635  | 1x                     | 2x                     | 2x                     | 4x                     | 4x                     |
| 1064     |      | 6          | 602  | 1x                     | 2x                     | 2x                     | 4x                     | 4x                     |
| 1065     |      | 6          | 520  | 2x                     | 4x                     | 4x                     | 8x                     | 8x                     |
| 1066     |      | 6          | 602  | 1x                     | 2x                     | 2x                     | 4x                     | 4x                     |
| 1067     |      | 6          | 295  | 1x                     | 2x                     | 2x                     | 4x                     | 4x                     |
| 1092     |      | 4A         | 120  | 4x                     | 4x                     | 4x                     | 4x                     | 4x                     |

| Item No. | Part  | Sect. Ref. | Size mm | Quantity per |      |      |      |       |
|----------|---|------------|---------|--------------|------|------|------|-------|
|          |   |            |         | 5000         | 6700 | 8300 | 9900 | 11500 |
| 1304     |    | 5          | M4 x 18 | 4x           | 4x   | 4x   | 4x   | 4x    |
| 1310     |    | 4A         | 30.4    | 2x           | 2x   | 2x   | 2x   | 2x    |
| 1359     |    | 5          | 621     | 2x           | 2x   | 2x   | 2x   | 2x    |
| 1360     |    | 5          | 621     | 2x           | 2x   | 2x   | 2x   | 2x    |
| 1361     |    | 5          | 621     | 4x           | 4x   | 4x   | 4x   | 4x    |
| 1362     |    | 5          | 613     | 2x           | 2x   | 2x   | 2x   | 2x    |
| 1500     |    | 5          | M6 x 5  | 2x           | 2x   | 2x   | 2x   | 2x    |
| 1515     |    | 5          | M6      | 2x           | 2x   | 2x   | 2x   | 2x    |
| 2001     |   | 5L         | M6 x 12 | 1x           | 1x   | 1x   | 1x   | 1x    |
| 2005     |  | 5R         | 100     | 1x           | 1x   | 1x   | 1x   | 1x    |
| 2006     |  | 5R         | 10      | 2x           | 2x   | 2x   | 2x   | 2x    |
| 2016     |  | 6          | 40      | 2x           | 4x   | 4x   | 8x   | 8x    |
| 2022     |  | 1A & 2     | 2484    | 1x           | 3x   | 1x   | 1x   | 1x    |
| 2023     |   | 1B         | 3106    | -            | -    | 2x   | -    | -     |
| 2024     |   | 1B         | 3728    | -            | -    | -    | 2x   | -     |
| 2025     |   | 1B         | 4350    | -            | -    | -    | -    | 2x    |
|          |   |            |         |              |      |      |      |       |
| 2046     |  | 3          | 2484    | 1x           | 1x   | 1x   | 1x   | 1x    |
| 2048     |  | 3          | 1318    | 1x           | 1x   | 1x   | 1x   | 1x    |
| 2050     |  | 4A         | 2484    | -            | 1x   | -    | -    | -     |
| 2051     |  | 4A         | 3106    | -            | -    | 1x   | -    | -     |
| 2052     |  | 4A         | 3728    | -            | -    | -    | 1x   | -     |
| 2053     |  | 4A         | 4350    | -            | -    | -    | -    | 1x    |
| 2054     |  | 2          | 1318    | 1x           | 1x   | 1x   | 1x   | 1x    |

| Item No. | Part | Sect. Ref. | Size mm | Quantity per |      |      |      |       |
|----------|------|------------|---------|--------------|------|------|------|-------|
|          |      |            |         | 5000         | 6700 | 8300 | 9900 | 11500 |
| 2057     |      | 4B         | 1184.5  | 2x           | 3x   | 4x   | 5x   | 6x    |
| 2089     |      | 3          | 619     | 1x           | 1x   | 1x   | 1x   | 1x    |
| 2090     |      | 3          | 619     | 1x           | 1x   | 1x   | 1x   | 1x    |
| 2091     |      | 2<br>3     | 175     | 2x           | 2x   | 2x   | 2x   | 2x    |
| 2092     |      | 1<br>3     | 37      | 6x           | 2x   | 6x   | 6x   | 6x    |
| 2093     |      | 1A<br>2    | 56      | 1x           | 3x   | 1x   | 1x   | 1x    |
| 2094     |      | 3          | 426     | 1x           | 1x   | 1x   | 1x   | 1x    |
| 2100     |      | 2<br>3     | 425     | 2x           | 2x   | 2x   | 2x   | 2x    |
| 4201     |      | 4A         | M6 x 45 | 2x           | 2x   | 2x   | 2x   | 2x    |
| 5001     |      | 3          | 33      | 1x           | 1x   | 1x   | 1x   | 1x    |
| 5002     |      | 3          | 33      | 1x           | 1x   | 1x   | 1x   | 1x    |
| 5012     |      | 7          | 10      | 14x          | 14x  | 14x  | 14x  | 14x   |
| 5021     |      | 5          | 1991    | 2x           | 2x   | 2x   | 2x   | 2x    |
| 5022     |      | 1A         | 1862    | 2x           | -    | -    | -    | -     |
| 5027     |      | 1A         | 1862    | 2x           | -    | -    | -    | -     |
| 5028     |      | 1A         | 2484    | -            | 2x   | -    | -    | -     |
| 5029     |      | 1B         | 3106    | -            | -    | 2x   | -    | -     |
| 5030     |      | 1B         | 3728    | -            | -    | -    | 2x   | -     |
| 5031     |      | 1B         | 4350    | -            | -    | -    | -    | 2x    |
| 5034     |      | 2<br>3     | 1214    | 4x           | 4x   | 4x   | 4x   | 4x    |
| 5035     |      | 2<br>3     | 1884    | 2x           | 2x   | 2x   | 2x   | 2x    |
| 5036     |      | 2<br>3     | 1884    | 2x           | 2x   | 2x   | 2x   | 2x    |
| 5039     |      | 2          | 2476    | 1x           | 1x   | 1x   | 1x   | 1x    |
| 5041     |      | 2<br>3     | 2030    | 2x           | 2x   | 2x   | 2x   | 2x    |

| Item No. | Part | Sect. Ref. | Size mm   | Quantity per |      |      |      |       |
|----------|------|------------|-----------|--------------|------|------|------|-------|
|          |      |            |           | 5000         | 6700 | 8300 | 9900 | 11500 |
| 5042     |      | 2<br>3     | 2030      | 2x           | 2x   | 2x   | 2x   | 2x    |
| 5043     |      | 4A         | 750       | 2x           | 2x   | 2x   | 2x   | 2x    |
| 5045     |      | 3          | 1270      | 2x           | 2x   | 2x   | 2x   | 2x    |
| 5049     |      | 1A<br>4B   | 1304      | 8x           | 4x   | 4x   | 4x   | 4x    |
| 5050     |      | 4A         | 1862      | 1x           | -    | -    | -    | -     |
| 5055     |      | 4B         | 1861      | 4x           | 6x   | 8x   | 10x  | 12x   |
| 5058     |      | 5          | 1991      | 2x           | 2x   | 2x   | 2x   | 2x    |
| 5062     |      | 4B         | 1854      | 2x           | -    | -    | -    | -     |
| 5063     |      |            | 2476      | -            | 2x   | -    | -    | -     |
| 5064     |      |            | 3098      | -            | -    | 2x   | -    | -     |
| 5065     |      |            | 3720      | -            | -    | -    | 2x   | -     |
| 5066     |      |            | 4342      | -            | -    | -    | -    | 2x    |
| 5075     |      | 3          | 1304      | 1x           | 1x   | 1x   | 1x   | 1x    |
| 5076     |      | 3          | 1304      | 1x           | 1x   | 1x   | 1x   | 1x    |
| 5090     | PC   | 7          | 610 x 610 | 6x           | 8x   | 10x  | 12x  | 14x   |
| 5091     |      | 1-3        | 178       | 8x           | 8x   | 8x   | 8x   | 8x    |
| 5095     |      | 1<br>2     | 1681      | 2x           | 6x   | 6x   | 6x   | 6x    |
| 5096     |      | 3          | 619       | 1x           | 1x   | 1x   | 1x   | 1x    |
| 5097     |      | 3          | 619       | 1x           | 1x   | 1x   | 1x   | 1x    |
| 5098     |      | 5R         | 1991      | 1x           | 1x   | 1x   | 1x   | 1x    |
| 5099     |      | 5L         | 1991      | 1x           | 1x   | 1x   | 1x   | 1x    |
| 5101     |      | 2          | 2030      | 1x           | 1x   | 1x   | 1x   | 1x    |
| 6060     |      | 4A         | Ø12/6     | 2x           | 2x   | 2x   | 2x   | 2x    |

# Safety Warning

## 1. PLEASE READ THESE INSTRUCTIONS CAREFULLY AND COMPLETELY BEFORE ASSEMBLING YOUR GREENHOUSE.

- Sharp edges and corners can cause injury. Always wear protective glasses, gloves, shoes and headgear when handling the aluminium profiles, glass and polycarbonate sheets. Broken glass is a safety hazard – always clear up immediately and dispose of with care.
- The product you have purchased is intended only for growing plants and should only be used for this purpose. When used for other purposes we will take no responsibility.
- It is recommended that this greenhouse is assembled by two people.
- Should you encounter difficulties constructing this house, or in fitting the glass or polycarbonate sheets, please contact your retailer – **do not use force!**
- The greenhouse must always be anchored.

# Assembly Instructions

## SITE SELECTION

Always try to select a sunny location, sheltered from the wind as much as possible.

## IMPORTANT

Before assembling your new greenhouse, please check that all parts in the provided list are included. Please take each bundle out of the packaging in order to identify the parts better.

It is important that the opened bundles do not get mixed with one another.

If something is missing please contact your retailer.

**Nuts (1002) - Max. tightening torque 3Nm.**

## NECESSARY TOOLS

Screw drivers (Normal and Crosshead PH2), 10 mm socket spanner or wrench, 10 mm combination spanner, knife, measuring stick, spirit level, Accu-drill with adjustable torque.

## MAINTENANCE

The greenhouse should be thoroughly washed with a gentle detergent occasionally. Please check that the detergent used does not react aggressively with aluminium or the glass fixing clips.

Ensure that the upper and lower door tracks are cleaned regularly to avoid a build-up of debris.

## 0. BASE

**Important!** The base must be exactly square and level. A zinc-coated steel base is available as an accessory for all greenhouse models.

**(Attention! Only when the greenhouse has to be located in a very windy and unprotected location:** Drill through both the profile at the base of the greenhouse and the steel base, and connect them with nuts and bolts.)

If you would rather construct your own stone

or concrete foundation, please follow the dimensions specified in diagram 0. Treated wooden beams at least 18 mm high and not more than 32 mm wide should be positioned between the stone/concrete foundation and the aluminium frame, and connected to the foundation with 50 mm long bolts (not provided).

Foundations must extend down below the frost level.

**Diagrams in a single frame show the view from inside the greenhouse. Those enclosed in a double frame show the view from outside the greenhouse.**

## 1. SIDE ELEMENTS

Lay all of the parts on the floor and connect them loosely.

For VM0006-DS 6700, 8300, 9900 & 11500 – It is necessary with each outside vertical aluminium bar (1032) to include an extra connecting bolt at this stage. This bolt is required to connect the cross braces (5095), see (1.2).

Loosely connect the corner plate (5091) (1.1).

In step 4 the corner plate bolts must also be connected to the gable ends.

## 2. PLAIN GABLE END

Lay all of the parts on the floor and connect them loosely.

Include **two** extra connecting bolts in the vertical bars (5041) and (5042) to connect the cross braces (2.2) and (2.6). In the vertical bar (5101) please include only one extra bolt.

## 3. DOOR GABLE END

Lay all of the parts on the floor and connect them loosely.

The door runner bars (5045) will be connected

to the horizontal bar (2048). Connect these loosely **from the outside** with three nuts and bolts.

Connect the parts (5001) and (5002) as shown in (3.10) & (3.11) with a bolt.

Please include two extra bolts in the vertical bars (5041) and (5042) (3.3).

## 4A. CONNECTING THE SEPARATE ELEMENTS

Bolt the side elements to the end elements. (4.1), (4.2) & (4.3)

Assemble the ridge bar and then the corner plates (1092) on the gable ends (4.4/4.5).

Connect the door runner supports (5043) to the door runner bars (5045) using washer (6060) (4.1) and to the gable end using bolt (4201) and spacer (1310) (4.6).

## 4B. CONNECTING THE SEPARATE ELEMENTS

Connect the roof glazing bars (5055) between the eaves (4.7) and the ridge bar (4.8).

Insert extra bolts into each glazing bar depending on which house you have bought. The number is indicated in a circle on each bar and to be read beginning from both ends.

Please also decide at this point where the roof vents will be located and adjust the extra bolts to match.

The roof braces (2057) (4.9) and the cross braces (5049) (4.11) (4.12) (4.13) can now be connected.

Now position your greenhouse on the prepared base / foundation and connect loosely. Adjust the greenhouse until it is completely square and tighten all bolts.

**Please do not over tighten. (max. 3Nm)**

Press the end protectors (1017) onto the eave ends (4.10).

## 5L and 5R. DOORS

**Attention: Do not stand the assembled doors on the door gliders (1014) to avoid damaging them.**

Push the door gliders (1014) onto both ends of door bar (1360) (5.1).

Assemble the doors as shown in diagram 5.

Bolt door bar (1362) to upper bar (1359) (5.3) and slide door seals (5021) into door bars (5058) (5.5). Slide bolts (1500) into the bottom of the bolt channel holding brush seals (5021) and fix it in place using nut (1515) (5.6). Cut the door seals (5021) to length. Please ensure that for the inside side bar the part (5099) is used on the left in (5L) and (5098) on the right in (5R).

Connect door rollers (1015) to the door bar (1362) using bolt (1304), washer (1009) and nut (1007) (5.4).

Connect bolt (2001) at the join between both (5045) as shown (5R).

Loosen the door supports (2043).

Now slide the door rollers into the door runner bar (5045) (5.7). Please ensure that the door gliders are also running on the bottom track (5.8).

Adjust the doors so that they move freely.

## 6. ROOF VENTS

Connect the side bars (1065) and the top bar (1064) depending on the glass thickness. Up to 4 mm, see (6.1). For 4 mm and over, see (6.2).

Place the bolts to connect the bottom bar (1066) in the prepared holes, and then slide the glass into the tracks in side bars (1065) (6.3).

Now connect bottom bar (1066), and ensure that the window is totally square before tightening all bolts.

Position the window in the ridge bar from one end (6.4) and (6.5) and slide it to the required position (6.6).

Connect the window sill (1063) with the extra bolts in the roof bars (6.7).

Bolt the window opener (1067) to the bottom bar (1066) using screws (1006) (6.8).

Place the plastic cap (1019) over the end of the window opener (6.6) and connect both window fixers (2016) onto the window sill (1063) using screws (1006) (6.8).

## 7A. and 7B. GLAZING – CLEAR GLASS

**Please note the already mentioned safety precautions and the glazing method provided, “A” or “B”.**

Press the glazing seals (1020) onto the aluminium profiles (7.2) and cut to length.

On the roof, begin by positioning the glass at the eave. Fix the PC (Polycarbonate) glass (5020) to the roof bars using retaining clips (1011) and bend it over the curved section continuing to fix with (1011) (7.1).

The following pane should be placed over the pane directly under it and held in place with the glass retaining clips (1012) between the panes (7.3).

On the sides please begin from the bottom.

When glazing the front or back, fit part (5012) as shown on pane 7 or 10 and bend it up to fix upper panes 5 or 11 (7.4).

It is possible to replace a lower side pane (for 7A pane 1, for 7B change one pane 10 with pane 13) with a louver window. The louver is not included.

## FINISHING

If desired, it is possible to seal the greenhouse at the edges using neutral silicone. Silicone is not included.

Place the warning label inside the house.

A full range of accessories is available to help you make the most of this product. Please contact your local stockist for details.

## SAFETY NOTICE

In the event of high winds, close all doors and vents.

In the event of heavy snowfall, clear the roof of the building or take suitable measures to support the roof. Heat the building in winter.

## COMMENTS

For the complete protection of your new greenhouse, we advise you to include it in your house insurance. Please take note of possible building rules relating to the positioning of greenhouses.

Please stick the greenhouse model label provided onto the door bar (1362) after successfully assembling this product. This information is important in the event that replacement parts are later required.

Please keep these Assembly Instructions in a safe place, for future reference!

Our policy is one of continuous improvement and we reserve the right to change the specifications without prior notice.



# Sicherheitsvorkehrungen

## 1. BITTE LESEN SIE DIESE MONTAGEANLEITUNG VOR BEGINN DES AUFBAUS KOMPLETT DURCH!

- Bei der Handhabung von Glas, Polycarbonatplatten oder Gewächshausteilen sind immer eine Schutzbrille, Handschuhe, Sicherheitsschuhe und ein Kopfschutz zu tragen, da scharfe Kanten zu Verletzungen führen können. Gebrochenes Glas ist ein Sicherheitsrisiko. Beseitigen Sie es mit der gebotenen Vorsicht.
- Das von Ihnen erworbene Produkt ist für die Aufzucht von Pflanzen konstruiert und sollte auch ausschließlich dafür genutzt werden. Bei anderweitiger Nutzung ist jegliche Haftung ausgeschlossen.
- Für die Montage dieses Produktes sind zwei Personen erforderlich.
- Sollten Sie beim Montieren des Hauses oder beim Einsetzen der Verglasung Schwierigkeiten haben, dann setzen Sie sich bitte mit Ihrem Händler in Verbindung – **Wenden Sie keine Gewalt an!**
- Das Gewächshaus muss verankert werden.

## Aufbaubeschreibung

### STANDORTWAHL

Suchen Sie den sonnigsten, aber gleichzeitig einen windgeschützten Platz aus.

### WICHTIG

Bevor Sie mit der Montage Ihres Gewächshauses beginnen, überprüfen Sie, ob alle in der Liste aufgeführten Teile vorhanden sind. Nehmen Sie die einzelnen Bündel aus der Verpackung, um sie besser identifizieren zu können.

Es ist wichtig, dass die geöffneten Bündel nicht durcheinander geraten.

„Leerschraube“ = Schraube und Mutter für die spätere Befestigung von Teilen, vorerst ohne sichtbare Funktion.

Fehlt etwas, dann setzen Sie sich bitte mit Ihrem Lieferanten in Verbindung.

**Muttern (1002) mit max. 3Nm anziehen.**

### BENÖTIGTE WERKZEUGE

Schraubendreher (Schlitz und Kreuzschlitz PH2), 1 Schraubenschlüssel 10 mm, Ring-Gabelschlüssel, Messer, Zollstock, Wasserwaage, Akku-Schrauber mit einstellbarem Drehmoment.

### WARTUNG

Das Gewächshaus sollte hin und wieder gründlich mit einer neutralen Waschmittellauge abgewaschen werden. Das Glas kann mit einem Reinigungsmittel gesäubert werden, das weder Kunststoffteile, den Aluminiumrahmen, noch die Glasfederklammern angreift. Reinigen Sie regelmäßig die Türlaufschiene.

### 0. FUNDAMENT

**Wichtig!** Das Fundament muss absolut rechtwinklig und eben sein. Ein verzinktes Stahlfundament ist für alle Gewächshaus-Modelle als Zubehör erhältlich.

**(Achtung!** Nur wenn das Gewächshaus an einer sehr ungeschützten und windigen Stelle aufgebaut werden muss: Durchbohren Sie die Grundprofile und das Stahlfundament und verschrauben Sie beide mit Schrauben und Muttern miteinander)

Wollen Sie jedoch selbst ein Fundament aus Stein oder Beton fertigen, dann richten Sie sich bitte nach den Maßangaben im Abschnitt 0. Vorbehandelte witterungsgeschützte Holzleisten von mindestens 18 mm Dicke und höchstens 32 mm Breite werden zwischen Stein-Betonfundament und Aluminiumrahmen gesetzt, entsprechend der Zeichnung durchbohrt und mit 50 mm langen Schrauben (nicht mitgeliefert) im Fundament verschraubt.

Das Fundament muss frostfrei gegründet werden.

**Alle Zeichnungen sind von der Innenseite des Hauses gesehen abgebildet, mit Ausnahme der Abbildungen, die in einem Doppelrahmen dargestellt sind. Diese beschreiben die Außenansicht.**

### 1. SEITENTEILE

Alle Teile auf dem Boden auslegen und lose verschrauben.

Für VM0006-DS 6700, 8300, 9900 & 11500 – Dabei muss in den äußeren senkrechten Verglasungsleisten (1032) eine zusätzliche Leerschraube hinzugefügt werden, an der später die Diagonalen (5095) befestigt werden (1.2). Die Eckbleche (5091) wie in (1.1) dargestellt lose verschrauben.

Sie müssen in **Schritt 4** die äußeren Schrauben wieder lösen, um Giebelende bzw. Giebelseite Tür mit den Seitenteilen zu verschrauben.

### 2. GIEBELENDE OHNE TÜR

Auch diese Teile auf dem Boden auslegen und lose verschrauben.

Ebenfalls in jede senkrechte Verglasungsleiste (5041/5042) diesmal **zwei** Leerschrauben einfügen um später (2.2 und 2.6) zu verschrauben. In die Strebe (5101) nur eine Leerschraube einfügen.

### 3. GIEBELSEITE MIT TÜR

Wiederum die Teile auf dem Boden ausbreiten und lose verschrauben.

Die Türlaufschienen (5045) werden an der waagrecht über der Tür liegenden Schiene (2048) angebracht. Verschrauben Sie diese von **außen** lose mit drei Schrauben und Muttern.

Befestigen Sie die Pass-Stücke (5001) und (5002) wie in (3.10) (3.11) dargestellt mit Schraube (1001).

In die senkrechten Profile (5041) und (5042) jeweils zwei Leerschrauben einfügen (3.3).

### 4A. ZUSAMMENBAU DER EINZELNEN ELEMENTE

Die Seitenteile mit den Giebelseiten verschrauben (4.1/4.2 / 4.3).

Den Dachfirst montieren (4.4/4.5) und dort die Eckbleche (1092) im Giebelbereich einsetzen.

Die Türlaufstützen (5043) mit den Türlaufschienen (5045) mittels Unterlegscheiben (6060) (4.1) und mit der Giebelseite mittels Schrauben (4201) und Abstandshalter (1310) (4.6) verschrauben.

### 4B. ZUSAMMENBAU DER EINZELNEN ELEMENTE

Jetzt die Dachstreben (5055) mit dem Dachfirst und den Traufen verschrauben (4.7/4.8).

Beachten Sie, dass je nach Größe des von Ihnen erworbenen Hauses Leerschrauben in die Dachmittelpunkte eingesetzt werden müssen. Wie viele, lesen Sie an den eingekreisten Zahlen ab.

Versteifung (2057) wie in (4.9) und Diagonale (5049) wie in (4.11 / 4.12 / 4.13) dargestellt anbringen.

Das soweit zusammen geschraubte Gewächshaus auf das Fundament setzen und lose mit dem Fundament verschrauben.

Jetzt prüfen, ob das Haus absolut rechtwinklig ist. Sonst entsprechend verrücken. Anschließend die Schrauben fest anziehen.

**Die Schrauben müssen fest, aber nicht zu fest angezogen werden. (max. 3Nm)**

Die Schutzkappen (1017) auf die Profilenen drücken (4.10).

## 5L und 5R. DOPPELTÜR

**Achtung: Niemals die montierte Tür auf die Türgleiter (1014) stellen, damit sie nicht beschädigt werden!**

Die Türgleiter (1014) an den Enden in das Türprofil (1360) hineindrücken (5.1).

Die Türelemente, wie in der Zeichnung 5 gezeigt, zusammenschrauben.

Verschrauben Sie das Türprofil (1362) mit dem oberen Türprofil (1359) (5.3) und ziehen Sie die Türdichtungen (5021) in die senkrechten äußeren Streben der Tür ein (5058)(5.5). Führen Sie die Schrauben (1500) in den unteren Schraubenkanal, der die Bürstendichtungen (5021) hält, ein und verschrauben sie an dieser Stelle mit den Muttern (1515) (5.6). Schneiden Sie die Türdichtungen (5021) auf Länge. Achten Sie darauf, dass für das innenliegende Seitenprofil das Teil (5099) linksseitig montiert wird (5L) und das Teil (5098) rechtsseitig (5R).

Die Türrollen (1015), wie in (5.4) gezeigt, mittels der Schrauben (1304), Unterlegscheiben (1009) und Muttern (1007) mit dem Türoberteil (1362) verschrauben.

Die Schraube (2001) an der Verbindung zwischen beiden (5045) befestigen, wie gezeigt.

Lösen Sie die Türstützen (2043).

Die Türrollen können jetzt in das Türführungsprofil (5045) von der Seite eingeschoben werden (5.7). Bitte darauf achten, dass die Türgleiter auf dem senkrechten Steg des Bodenprofils laufen (5.8).

Die Tür so einstellen, dass sie reibungslos läuft.

## 6. DACHFENSTER

Das Dachfenster entsprechend der Abbildung zusammenschrauben. Die Seitenrahmen (1065) mit dem Dachfensteroberteil (1064) verschrauben. Bei einer Verglasung dünner als 4 mm verfahren wie in (6.1), bei einer Verglasung 4 mm oder dicker wie in (6.2).

Das Glas in die Seitenrahmen hineinschieben (6.3), aber vorher Schrauben in die Bohrungen der Seitenrahmen hineinstecken.

Jetzt das untere Fensterprofil (1066) mit den Seitenrahmen verschrauben.

**Achtung: Das Fenster muss rechtwinklig**

sein.

Das Dachfenster in den First vom Firstende aus einführen und das Fenster in die vorge-sehene Stellung bringen (6.4/6.5/6.6).

Die Dachfensterschwelle (1063) entsprechend (6.7) mit den vorhandenen Leerschrauben festschrauben. Den Dachfensteraufsteller (1067) mit dem unteren Fensterprofil (1066) verschrauben. Hierbei werden die Schrauben (1006) verwendet (6.8).

Die vorhandene Gummikappe (1019) über das untere Ende des Dachfensteraufstellers streifen (6.6). Die beiden Einrastzapfen (2016) auf der Dachfensterschwelle (1063) mit den Schrauben (1006) festschrauben (6.8).

## 7B. VERGLASUNG BLANKGLAS

**Bitte beachten Sie die oben erwähnten Sicherheitsvorkehrungen.**

Die Glasdichtung (1020) auf die Alu-Profile drücken (7.2) und entsprechend auf Länge schneiden.

Beginnen Sie bei der Verglasung des Daches an der Traufe mit den PC (Polycarbonat)-Scheiben (5020) und benutzen Sie hierzu die Verglasungsfederklammern (1011) (7.1) wie im Glasplan abgebildet. Verbinden Sie das PC-glas und die Glasscheibe mit Hilfe der Glashalterklammern (1012) (7.3).

An den Seiten beginnen Sie bitte unten. Wenn Sie die Vorder- oder Rückseite verglasen, befestigen Sie Glashalter (5012) an Scheibe 10 und biegen Sie diese nach oben, um die oberen Scheiben 11 (7.4) zu befestigen.

Es ist möglich, eine Scheibe 10 mit Scheibe 13 und einem Lamellenfenster zu ersetzen. Das Lamellenfenster ist Zubehör und nicht im Lieferumfang enthalten.

## DIE LETZTEN HANDGRIFFE

Wenn Sie es wünschen, können Sie das Gewächshaus an den vorhandenen Fugen mit neutral vernetzendem Silikon abdichten. Das Silikon gehört nicht zum Lieferumfang.

Den beiliegenden Warnungsaufkleber von innen aufkleben.

Ihr Lieferant hält ein reichhaltiges Sortiment an Gewächshaus-Zubehör für Sie bereit. Sprechen Sie ihn an.

## SICHERHEITSHINWEIS

Bei starkem Wind sollten alle Öffnungen und die Tür geschlossen werden.

Dächer von Gewächshäusern sind so rechtzeitig von Schnee zu räumen, dass keine gefährliche Schneebelastung eintreten kann.

## ANMERKUNGEN

Zum vollen Schutz des Gewächshauses emp-

fehlen wir, es mit in Ihre **Hausversicherung** einzuschließen. Beachten Sie eventuell vorhandene örtliche Bauvorschriften.

Den mitgelieferten Typaufkleber nach erfolgter Montage des Gewächshauses auf das Radgehäuse (1362) kleben.

Die Typbezeichnung benötigen Sie zur Angabe bei der Bestellung evtl. benötigter Ersatzteile. Bitte heben Sie die Montageanleitung auf!

Alle Maßangaben sind Annäherungswerte. Änderungen vorbehalten.

## Précautions d'emploi

- MERCI DE LIRE CES INSTRUCTIONS INTEGRALEMENT AVEC ATTENTION AVANT DE COMMENCER LE MONTAGE !**
- Les rebords coupants peuvent provoquer des blessures. Toujours porter des lunettes et des gants de protection, des chaussures de sécurité et un lors de la manipulation des profilés en aluminium, du verre et des panneaux alvéolaires. Le verre brisé est une source de dangers – merci de toujours éliminer les bris de verre immédiatement et avec prudence.
- Le produit que vous venez d'acquérir a été conçu exclusivement pour la culture de plantes et doit être utilisé uniquement dans cet objectif. Nous excluons toute responsabilité en cas d'autre utilisation.
- Deux personnes sont nécessaires pour réaliser le montage de ce produit.
- Si vous deviez rencontrer des difficultés lors du montage de la structure ou de l'installation du vitrage, merci de contacter votre revendeur  
– **N'ayez pas recours à la force !**
- La serre doit toujours être ancrée.

## Descriptif de la construction

### CHOIX DE L'EMPLACEMENT

Choisissez l'emplacement le plus ensoleillé et le mieux protégé du vent.

### IMPORTANT

Avant de commencer le montage de votre serre, vérifiez que les pièces énumérées dans la liste sont au complet. Retirez les différents paquets de l'emballage, afin de mieux les identifier.

**Mais attention de ne pas mélanger les paquets quand vous les ouvrez.**

Le montage de la serre se fait par étape pan par pan : **étape 1A/B** cotés, **étape 2** et **3** pignons, **étape 4A/B** assemblage des cotés avec les pignons puis le toit, **étape 5R/L** porte, **étape 6** lucarne, **étape 7** vitrage.

Les profilés sont emballés par paquets. Chaque paquet correspond à une étape.

S'il manque quelque chose, veuillez contacter votre fournisseur.

### OUTILS NECESSAIRES

Tournevis (plat et cruciforme PH2) 1 clé de 10  
Perceuse mèche métal de 6 mm. Gants. Tournevis cruciforme(PH2). Clé plate de 10. Un niveau.

### ENTRETIEN

La serre doit être de temps en temps lavée avec une lessive douce. Le verre se nettoie avec un détergent qui n'agresse ni le cadre en aluminium ni les clips à ressort des vitrages.

### 0. FONDATIONS

**Important !** Les fondations doivent impérativement être d'équerre et de niveau. Des fondations en acier galvanisé sont disponibles en tant qu'accessoires pour tous les modèles de serres.

**Attention !** Uniquement lorsque la serre doit être installée à un endroit très peu protégé et

exposé au vent : Percer des trous dans les traverses de base et dans les fondations en acier et assemblez-les à l'aide de boulons et d'écrous.

Si vous voulez cependant réaliser vous-même des fondations en pierre ou en béton, référez-vous dans ce cas aux dimensions indiquées au paragraphe 0. Des baquettes en bois pré-traitées et résistantes aux intempéries, d'au moins 18 mm d'épaisseur et de 32 mm de largeur maxi., sont placées entre les fondations béton-acier et le cadre en aluminium, percées selon le plan et fixées dans les fondations à l'aide de vis de 50 mm de longueur (non fournies).

**Tous les plans sont représentés de l'intérieur de la serre, à l'exception des figures représentées dans un double cadre, qui montrent une vue externe.**

### 1. COTES

Étaler toutes les pièces sur le sol et les visser sans serrer.

Pour les VM0006-DS 6700, 8300, 9900 et 11500,

il est nécessaire de coulisser un boulon supplémentaire dans le profilé de vitrage vertical (1032), sur lesquels seront ensuite fixés les profilés (5095) (1.2).

Fixer sans serrer les équerres (5091) (1.1).

A l'étape 4 les équerres seront connectées aux pignons.

### 2. PIGNON SANS PORTE

Étaler toutes les pièces sur le sol et les visser sans serrer.

Coulisser **2 boulons** supplémentaires dans les profilés verticaux (5041 et 5042), sur lesquels seront ensuite fixés les profilés (5095) (2.6) et les profilés (5039) (2.2).

Coulisser un boulon supplémentaire dans le profilé de vitrage vertical (5101).

### 3. PIGNON AVEC PORTE

Étaler toutes les pièces sur le sol et les visser sans serrer.

Les rails des portes coulissantes (5045) se montent sur le profilé horizontal (2048). Fixez ceux-ci de l'**extérieur** sans serrer avec 3 boulons et 3 écrous.

Pour renforcer, fixez les pièces (5001 et 5002) comme indiqué en (3.10 et 3.11) avec 1 écrou.

Coulisser 2 boulons dans les profilés verticaux (5041 et 5042) (3.3).

### 4A. ASSEMBLAGE DES COTES AVEC LES PIGNONS

Assemblez les cotés et les pignons (4.1 / 4.2 / 4.3).

Assemblez le faîtage avec les équerres (1092) aux 2 pignons (4.4 / 4.5).

Visser le haut du support de porte (5043) sur le rail de la porte coulissante (5045). Fixez le bas de ce support avec le boulon (4201), (6060) et la cale intercalaire (1310) (4.6).

### 4B. ASSEMBLAGE DE LA TOITURE

Pensez que selon la taille de la serre que vous avez achetée, des boulons doivent être coulisés d'avance dans les profilés de toit (5055). Les chiffres entourés vous en indiquent le nombre.

Décider où vous voulez positionner vos lucarnes de toit et insérer les boulons dans les profilés.

Les renforts horizontaux de toit (2057) peuvent être maintenant fixés (4.9) et les profilés (5049) peuvent être aussi fixés (4.11 / 4.12 / 4.13).

Placer la serre ainsi assemblée sur les fondations et la fixer sans serrer.

S'assurer que la serre est parfaitement d'équerre. Sinon recaler comme il faut.

**Bien serrer ensuite les boulons sans forcer. (max. 3Nm)**



Enfoncer les protections (1017) aux extrémités des traverses (4.10).

## 5R. ET 5L. PORTES

**Attention** : ne pas faire reposer la porte une fois montée sur ces coulisseaux (1014) afin de ne pas les endommager.

Enfoncer les coulisseaux de porte (1014) aux extrémités de la traverse inférieure de la porte (5.1).

Assembler les parties de la porte comme indiqué sur le grand plan.

Fixer les deux roulettes de porte (1015) sur le haut de la porte (1362), comme indiqué en (5.4) avec les vis (1304), les rondelles (1009) et les écrous (1007).

Assembler la partie supérieure de la porte (1362) et le panneau de porte le plus haut (1359) (5.3). Poser les joints de porte (5021) sur les poteaux verticaux extérieurs (5058) (5.5).

Vérifier que le rail de porte intérieur vertical (5099) est sur le côté droit de la porte (étape 5L), et le rail de porte intérieur vertical (5098) est sur le côté gauche de la porte (étape 5R).

Dévisser les supports de portes (2043), puis coulisser les portes dans le rail (5045). Il faut s'assurer que les coulisseaux de la porte sont positionnés conformément au croquis (5.8) et que les roulettes soient aussi correctement positionnées (5.7).

## 6. LUCARNE

Assembler la lucarne comme indiqué sur la figure. Assembler les cadres latéraux (1065) et le haut de la lucarne (1064). Pour un vitrage de 4 mm ou moins comme sur la figure (6.1), pour un vitrage de plus de 4 mm comme sur la figure (6.2).

Enfoncer le verre dans les cadres latéraux (6.3) en ayant pris soin de mettre avant les boulons dans les trous des cadres.

Assembler alors le profilé inférieur (1066) de la fenêtre et les cadres latéraux en vérifiant que la lucarne soit d'équerre.

Coulisser la lucarne dans l'une des extrémités du faîtage (6.4 et 6.5) et la mettre dans la position prévue (6.6).

Fixer, en serrant bien, la traverse inférieure (1063) (6.7) avec les boulons déjà coulisés.

Assembler la poignée de la lucarne (1067) au profilé inférieur de la lucarne (1066) (6.6). Pour cela, utiliser les boulons (1006) (6.8).

Mettre le cache en caoutchouc (1019) sur l'extrémité inférieure de la poignée de la lucarne (1067) (6.6). Bien visser les deux tétons (1016) sur la traverse inférieure de la lucarne (1063) avec les vis (1006) (6.7).

## 7. VITRAGE EN VERRE

**Veillez suivre les consignes de sécurité évoquées précédemment et les méthodes de vitrage A ou B fournies.**

Enfoncer les joints de vitrage (1020) sur les profilés en aluminium (7.2) et les couper à la bonne longueur.

Commencez par vitrer le toit au dessus de la gouttière en utilisant les clips à ressort (1011) (7.1) et les cavaliers de retenu de vitrage (1012) (7.3)

Mettre le panneau acrylique au-dessus de la gouttière et le courber contre les profilés, et le fixer avec les clips à ressort (1011) (7.1).

Utiliser les cavaliers de retenu de vitrage (1012) (7.3) pour placer ensuite le verre.

Quand vous vitrez les pignons, fixer la pièce (5012) sur le panneau 7, 10 (7.4) et utiliser les clips à ressort (1011) (7.1).

Il est possible de remplacer un panneau de verre du bas (pour la méthode A panneau 1, pour la méthode B panneau 13) par une jalousie. La jalousie n'est pas fournie.

Pour les cotés, commencer par les verres du bas.

## DERNIERES INTERVENTIONS

Coller de l'intérieur l'autocollant d'avertissement fourni avec la serre.

Votre fournisseur tient à votre disposition une large gamme d'accessoires de serres. Interrogez-le.

## CONSIGNE DE SECURITE

En cas de grand vent, toutes les lucarnes et la porte doivent être fermées.

En cas de neige, enlever la neige du toit.

## REMARQUES

Pour une protection complète de la serre, nous recommandons de l'inclure dans votre **assurance habitation**. Respectez les éventuelles règles de sécurité locales en vigueur en matière de construction.

Une fois le montage de la serre effectué, coller l'autocollant signalétique fourni sur le logement de roue (1362).

Vous aurez besoin de ces données pour commander d'éventuelles pièces détachées. Conserver soigneusement la notice de montage !

Conformément à notre politique d'amélioration constante, nous nous réservons le droit de modifier les spécifications de nos produits à tout moment et sans préavis.

# Veiligheidsvoorschriften

## 1. LEEST U EERST DE GEHELE INSTRUCTIES DOOR ALVORENS TE BEGINNEN MET DE OPBOUW VAN DE KAS.

- Draag altijd handschoenen als u met glas, polycarbonaat platen of aluminium werkt, deze kunnen scherpe hoekjes en/of randen hebben die tot verwondingen kunnen leiden. Indien glas gebroken is dient u het veilig en meteen op te ruimen.
- Het product dat u heeft gekocht is alleen bestemd voor het kweken van planten. Wanneer deze voor andere doeleinden zal worden gebruikt dragen wij hier geen verantwoordelijkheid voor.
- Wij raden u aan de kas met twee personen in elkaar te zetten.
- Mocht u problemen hebben het glas of polycarbonaat platen in te passen, neem dan contact op met uw leverancier. **Gebruik geen geweld.**
- De kas moet altijd worden verankerd.

## Montage Instructies

### KIEZEN PLAATS

Probeer altijd een zonnige plaats te kiezen die zoveel mogelijk tegen wind beschermt is.

### BELANGRIJK

Controleer a.u.b. of u alle onderdelen op de meegeleverde lijst hebt voordat u begint aan het in elkaar zetten van uw nieuwe kas. Haal a.u.b. elk pakket uit de doos om de onderdelen beter te identificeren.

Het is belangrijk dat de open pakketten niet door elkaar gehaald worden.

Als er onderdelen ontbreken, neem dan a.u.b. contact op met uw leverancier.

**Moertjes (1002) - Max. aanhaalmoment 3Nm.**

### VEREISTE GEREEDSCHAPPEN

Schroevendraaiers (normale en kruiskop PH2), een 10 mm moer- of steeksleutel, een 10 mm combinatiesleutel, mes, maatstok, waterpas, accuboormachine met instelbaar moment.

### ONDERHOUD

Om uw kas schoon te houden dient deze af toe grondig gereinigd te worden met een zacht reinigingsmiddel. Zorg er a.u.b. voor dat het reinigingsmiddel niet het aluminium aantast of de beglazingsclips.

Om te voorkomen dat zich vuil ophoopt in de deurrails, zal men deze regelmatig moeten schoonmaken.

### 0. FUNDERING

**Belangrijk!** Let op dat de fundering haaks en waterpas staat. Een gegalvaniseerde fundering is voor ieder type kas verkrijgbaar bij uw leverancier.

(Attentie! Alleen als de kas op een erg windrijge en onbeschermd plaats moet staan, moet u de kas en de fundering aan elkaar maken: boor dan gaatjes door het profiel onderaan de kas en de stalen fundering, en maak deze aan elkaar vast met behulp van

moertjes en boutjes.)

Als u liever uw eigen stenen of betonnen fundering wilt construeren, volg dan a.u.b. de afmetingen in diagram 0. Geïmpregneerde houten balken van minstens 18 mm hoog en niet meer dan 32 mm breed zullen tussen de stenen/betonnen fundering en het aluminium frame moeten worden geplaatst. Deze moeten dan aan de fundering vast worden gemaakt met 50 mm lange schroeven. (De 50 mm schroeven zijn niet inbegrepen).

De fundering moet tot beneden de vorstgrens zitten.

**Op de tekeningen met het enkelvoudige frame wordt de binnenkant van de kas getoond. Op de tekeningen met het dubbele frame wordt de kas van de buitenkant bekeken.**

### 1. ZIJKANTEN

Leg de onderdelen uit op de grond en schroef ze losjes aan elkaar vast.

Voor de VM0006-DS 6700, 8300, 9900 en 11500.

Is het nodig om aan ieder buitenkant verticaal profiel (1032) een extra boutje toe te voegen in deze fase, hiermee wordt later het kruis gordingsprofiel (5095) vastgemaakt. Zie (1.2)

Verbind nu de hoekplaat (5091) losjes. (1.1)

In stap 4 zullen de hoekplaatjes ook met boutjes worden bevestigd aan de gevels.

### 2. DE PUNTGEVEL

Leg de onderdelen uit op de grond en schroef ze losjes aan elkaar vast.

Voeg twee extra boutjes toe in de verticale profielen (5041) en (5042) om het kruis gordingsprofiel te bevestigen. (2.2) en (2.6). In het verticale profiel (5101) hoeft u maar een extra bout toe te voegen.

### 3. DE DEURGEVEL

Leg de onderdelen uit op de grond en schroef ze losjes aan elkaar vast

Het deurrail profiel (5045) zal worden vastgemaakt aan het horizontale profiel (2048).

Bevestig ook de onderdelen (5001) (5002) met een boutje zoals op de tekeningen (3.10) en (3.11).

Voeg ook twee extra boutjes toe in de verticale profielen (5041) en (5042) (3.3).

### 4A. HET SAMENVOEGEN VAN DE LOSSE ELEMENTEN

Schroef de zijanten aan de beide gevels. (4.1), (4.2) en (4.3)

Bevestig de nokbalk aan beide kopgevels, tevens dient u ook de hoekplaatjes (1092) te bevestigen. (4.4) en (4.5)

Verbind nu losjes de deurprofiel steuntjes (5043) aan het bovenste deurprofiel (5045) en de bovenzijde van de gevel, gebruik bout (4201), (6060) en huls (1310)(4.6).

### 4B. HET SAMENVOEGEN VAN DE LOSSE ELEMENTEN

Verbind nu de dakprofielen (5055) tussen de nokbalk (4.8) en de zijanten (4.7).

Voeg extra bouten toe aan het beglazingsprofiel, afhankelijk van welk model kas u gekocht heeft. Het nummer is te vinden in een cirkel op het begin en/of eind van elk profiel.

Besluit nu ook waar u het dakraam gaat plaatsen en voeg hier ook extra bouten toe.

De dak (2057)(4.9)/hoek (5049) (4.11)(4.12) (4.13) gordings profielen kunnen nu worden bevestigd.

Plaats nu het frame op de fundering en bevestig het geheel losjes.

Kijk na of het frame vierkant is en rechtop staat. Draai daarna alle schroeven en bouten en moeren stevig aan.

**Let op! Belast de schroeven niet met teveel kracht bij het aandraaien. (max. 3Nm)**

Duw nu ook de hoekbeschermers (1017) op de hoeken. (4.10).

## 5L EN 5R. DUBBELE DEUREN

**Attentie: Zet de gemonteerde deur niet op de deurgeleiders (1014), dit om beschadiging te voorkomen.**

Duw de deurgeleiders (1014) in beide kanten van het deurprofiel (1360) (5.1).

Assembleer de deuren zoals op de tekening in diagram 5.

Schroef het deurprofiel (1362) aan het bovengelegen profiel (1359) (5.3) en schuif de deurrubbers (5021) in de deurprofielen (5058) (5.5). Schuif bouten (1500) in de onderkant van het boutkanaal met borstelrubbers (5021) en zet deze vast op hun plaats met een moer (1515) (5.6). Snij de deurrubbers (5021) op de juiste lengte. Controleer of het profiel (5099) links zit (5L) en het profiel (5098) rechts (5R).

Verbind de deurwieltjes (1015) met boutje (1304), ringetje (1009) en moertje (1007) aan het deurprofiel (1362) (5.4).

Monteer bout (2001) bij de onderlinge verbinding (5045) zoals op de tekening.

Maak de deurprofielsteuntjes (2043) los.

Schuif nu de deurwieltjes in het deurrailprofiel (5045) (5.7). Zorg ervoor dat de deurgeleiders aan de onderkant ook in de geleiding lopen (5.8).

Plaats de deuren zodat zij soepel lopen.

## 6. DAKRAMEN

Bevestig de zij profielen (1065) aan de het top profiel (1064) afhankelijk van de dikte van het glas.

Tot 4mm zie (6.1), voor 4mm en hoger zie (6.2).

Plaats de boutjes in de voor geboorde gaatjes om het beneden profiel (1066) te verbinden. Schuif dan het glas in de zij profielen (1065). (6.3)

Verbind nu het onder profiel (1066) en zorg er voor dat het raam recht zit alvorens de boutjes aan te draaien.

Positioneer het raam in de nokbalk vanaf een kant (6.4)(6.5), en schuif het in de juiste positie. (6.6)

Verbind het venster (1063) met de extra boutjes in het dak beglazings profiel. (6.7)

Schroef de raamopener (1067) aan het onder profiel (1066) (6.6) doormiddel van schroeven (1006) (6.8).

Bevestig beide raam uitzet pinnen (1016) op het venster (1063) doormiddel van de schroeven (1006)(6.7).

Plaats dan het plastic kapje (1019) over het eind van de raamopener (1067).

## 7. BEGLAZING BLANK GLAS

Denkt u alstublieft aan de al eerder genoemde veiligheidsregels voor het werken met glas.

(Handschoenen, veiligheidsbril en beschermende kleding.)

Er zijn 2 methoden voor het beglazen A en B

Duw het rubberen beglazingsprofiel (1020) op de aluminium profielen (7.2) en snij het op de juiste lengte.

Op het dak, begin met het positioneren van het glas tegen de nokbalk zet het daarna vast met de clips (1011) (7.1).

Methoden A: De volgende glasplaat moet precies onder de vorige glasplaat worden geschoven. Tussen de glasplaten in komen de Z-clips (1012) (7.3). U kunt nu het beglazings- plan gewoon verder afwerken.

Als er zich moeilijkheden voordoen met het plaatsen van de laatste glasplaten, let er dan op dat de bovenste ruit niet naar onder is gezakt.

Als u de zijkanten gaat beglazen, dient u van onderaf te beginnen.

Als u de voor of achterkant gaat beglazen, bevestig dan profiel (5012) zoals u ziet op paneel 5, en buig het naar voren om de bovengelegen panelen 5 of 7 passend te maken. (7.4)

Het is ook mogelijk een louver raam te bevestigen in plaats van een lager gelegen ruit. (mogelijk voor 7A ruit 1, 7B verwissel een ruit 10 met een ruit 13). Het louver raam is niet inbegrepen.

## AFWERKING

Desgewenst kan de kas aan de randen worden afdicht met neutrale siliconenkit. Silicone is niet inbegrepen.

Plaats het waarschuwinglabel aan de binnenkant van de kas.

Er is een compleet assortiment accessoires beschikbaar om dit product ten volle te benutten. Voor meer informatie kunt u contact opnemen met uw leverancier.

## VEILIGHEIDSREGELS

Sluit bij zware wind altijd alle deuren en ramen.

Houd bij zware sneeuwval het dak van de kas vrij of zorg voor een goede ondersteuning van het dak. Verwarm de kas in de winter.

## COMMENTAAR

Voor de gehele bescherming van uw nieuwe kas raden wij u aan om deze op te nemen in uw opstalverzekering. Denk er ook aan dat de kas aan alle bouwweisen moet voldoen en houd ook rekening met de plaats van de kas.

Plak alstublieft de inbegrepen sticker van het kasmodel op het deurprofiel (1362) nadat de kas succesvol is geïnstalleerd. Deze informatie is belangrijk voor het vervangen van onderdelen in de toekomst.

Bewaar de instructies op een veilige plek zodat u deze nog altijd kunt nalezen.

Ons beleid is gebaseerd op het continu verbeteren van onze producten en hierdoor behouden wij ons het recht voor om modellen te veranderen zonder verdere berichtgeving.

## 1. VENLIGST LÆS DENNE MONTAGEVEJLEDNING INDEN DE GÅR I GANG MED SAMLING AF DERES DRIVHUS.

- Når De arbejder med glas eller polycarbonat, skal De altid bruge handsker. Skarpe kanter kan forårsage skader. Også skarpe kanter eller hjørner på aluminiumsprofiler kan forårsage skader – brug derfor også altid handsker ved montering af disse.
  - Dette produkt er konstrueret som et drivhus beregnet til planteavl og er som sådan ikke konstrueret til at være helt tæt, da det er nødvendigt med udluftning bl.a. for at undgå kondensdannelse. Såfremt De ønsker at anvende drivhuset som et "uderum/stue" eller lignende, gør vi udtrykkeligt opmærksom på, at drivhuset ikke er 100 % vandtæt, og at vi ikke påtager os noget ansvar for eventuelle skader på løsøre el. lign., der er anbragt i drivhuset.
  - Til montage af dette produkt kræves 2 personer.
  - Skulle De få problemer med drivhusmontagen eller med glasisætningen, bedes De sætte Dem i forbindelse med Deres forhandler – anvend ikke vold!
  - Den vedlagte selvklæbende identifikationsetiket anbringes indvendigt i drivhuset – f.eks. indvendig på døren eller lign. Oplysningerne på etiketten vil gøre det meget lettere for Dem at fremskaffe reservedele, såfremt dette skulle blive aktuelt.
- Vi ønsker Dem god arbejdslyst og håber, at De får rigtig mange gode stunder med og i Deres Vitavia drivhus.

## Montage

### PLACERING

Vælg et solrigt sted, hvor der er mest muligt læ.

### VIGTIGT

Før De begynder at samle Deres drivhus, kontroller venligst efter indholdsfortegnelsen, at alle dele er medleveret. Tag de enkelte bundter ud af kassen for bedre at kunne kontrollere indholdet.

Det er vigtigt ikke at blande de åbnede bundter.

Hvis der mangler noget, kontakt venligst Deres forhandler.

**NB!** Såfremt De anvender en akku-maskine til samling af bolte og møtrikker, må momentet maksimalt være **3 Nm**.

### NØDVENDIGT VÆRKTØJ

Skruetrækker (stjerne PH2 og PZ2), Akkuboremaskine med moment, 1x10 mm fastnøgle, 1x10 mm gaffelnøgle, 1 målebånd/tommestok, 1 vinkel, 1 vaterpas, 1 hobbykniv, 1 skævbider, trappestige 1,80 m.

### VEDLIGEHOLDELSE

Drivhuset bør lejlighedsvis rengøres grundigt med et mildt rengøringsmiddel. Glasset kan rengøres med et hvilket som helst rengøringsmiddel, der ikke skader aluminiumsprofiler eller kunststof.

Dørskinnerne bør regelmæssigt rengøres og smøres med stearin/grafitolie.

### 0. FUNDAMENT

**Vigtigt!** Anvend en stor vinkel og et vaterpas til at kontrollere, at soklen er vandret, og at alle vinkler er 90°. Dette kan også sikres ved, at krydsmålene er ens, som vist på tegning 0.

Vi anbefaler, at drivhuset anbringes på et solidt fundament.

Til alle Vitavia drivhusmodeller fås en galva-

niseret stålsokkel som tilbehør.

**NB!** Skal drivhuset placeres et vindudsat sted, anbefaler vi, at man borer hul igennem bundskinnen og stålsoklen og bolter disse sammen med bolte og møtrikker).

Ønsker De selv at bygge et sten- eller betonfundament, følg da dimensionerne, som er vist i afsnit 0. Fastgør en trykimprægneret træliste mellem fundamentet og bundskinnen på drivhuset som vist. Materialer til dette indgår ikke i leverancen.

Ved støbning af fundament bør dette gå ned i frostfri dybde. Derved reduceres risikoen for, at der opstår skader på huset som følge af frostpåvirkninger af jorden.

**NB!** Støbning/fastgørelse til undergrunden er i mange tilfælde et krav fra forsikringsselskaber for at opnå forsikringsdækning på drivhuset. Vi anbefaler, at De kontakter Deres forsikrings-selskab for at høre om reglerne, der er gældende hos Deres selskab.

**Alle tegninger af drivhuset er set indefra, undtagen de tegninger, hvor der er dobbeltsreg udenom. Disse er set udefra.**

### 1. SIDER

Placer delene på jorden og bolt dem løst sammen.

Husk ved model VM0006-DS 6700, 8300, 9900 og 11500 at anbringe en ekstra bolt i de yderste lodrette glasprofiler (1032) for senere at kunne montere skrånstivere (5095) (1.2).

Hjørneplader (5091) skrues løst på med en bolt som vist i (1.1).

De yderste to bolte skal først monteres under pkt. 4.

### 2. GAVL UDEN DØR

Placer delene på jorden og bolt dem løst sammen.

I de lodrette spær (5041/5042) anbringes 2

bolte for at kunne montere afstivere (2.2/2.6). Husk en bolt i det midterste lodrette spær (5101).

### 3. GAVL MED DØR

Placer delene på jorden og bolt dem løst sammen.

Fastgør skydedørsskinnen (5045) på den vandrette skinne (2048). Skru løst sammen udefra med 3 bolte og møtrikker.

Monter delene (5001) og (5002) med bolt (1001) som i (3.10) (3.11).

I de lodrette spær (5041/5042) anbringes 2 bolte for at kunne montere afstivere (3.3).

### 4A. SAMLING

Fastgør de 2 sider til gavlene (4.1/4.2 / 4.3).

Monter tagryg og hjørnebeslagene (1092) som i (4.4 / 4.5).

Forbind støtteprofil (5043) med dørskinnen (5045) og med gavlprofilen ved hjælp af (6060), bolt (4201) og afstandsstykke (1310) som i (4.6).

### 4B. MONTAGE AF DE FORSKELLIGE TAGDELE

Bolt tagspær (5055) sammen med tagryg og tagrende (4.7/4.8). Husk at komme bolte i tagspærerne til montering af vinduer, afstivninger og hanebjælker. Det totale antal, der skal bruges, er vist i cirklen (ekskl. bolt til samling med tagryg og tagrende).

Monter hanebjælker (2057) som i (4.9). Monter skrånstivere (5049) som i (4.11 / 4.12 / 4.13). Anbring det løst samlede drivhus på fundamentet og bolt det løst sammen med soklen.

Kontroller at drivhuset er i vinkel og vater og spænd sammen.

**Skruerne skal skrues fast men ikke for fast. (max. 3Nm)**

Beskyttelseshætter (1017) trykkes på (4.10)



profilenderne.

## 5L OG 5R. DOBBELTE SKYDEDØRE

**NB!** Undgå at stille de samlede døre på dørgluderne (1014).

Tryk dørgluder (1014) fast på enderne af dørprofil (1360), se (5.1).

Dørene samles som vist på tegning 5.

Hjulskinne (1362) skrues på øverste dørskinne (1359) (5.3). Monter tætningslister (5021) i de lodrette dørprofiler (5058) (5.5).

Anbring bolt (1500) foruden i sporet på den lodrette dørprofil (5058) til at holde tætningsliste (5021) på plads. Fastgør bolt (1500) med møtrik (1515) (5.6). Tætningslisten (5021) tilpasses i længden.

Vær opmærksom på at anvende (5099) som inderste lodrette dørskinne i højre side (5L) og (5098) i venstre side (5R).

Skrub dørhjul (1015) på køreskinnen (1362) med bolt (1304), skive (1009) og møtrik (1007) (5.4).

**NB!** Det er vigtigt at vende dørhjul (1015) som vist på (5.8).

Monter bolt (2001) ved overgangen mellem de to dørglideskinner (5045) som vist.

Køreskinneafstiverne (2043) løsnes.

Skub hjulskinnen (1362) ind i dørglideskinnen (5045), se (5.7). Sørg for, at nederste dørskinne kører på bundskinnen, se (5.8).

Juster hjulskinnerne (1362), så dørene kører let.

## 6. TAGVINDUE

Skrub tagvindue sammen som vist i illustrationen. Sideprofiler (1065) skrues på topskinne (1064). Er glasset tyndere end 4mm benyttes metoden i (6.1), er det tykkere, benyttes metoden i (6.2).

Kom bolte i sidestykker og skub glas i som i (6.3).

Nederste vinduesprofil (1066) boltes sammen med sidestykkerne.

**NB!** Vindue skal være i vinkel.

Skub tagvinduet ind i tagryg og anbring det i den ønskede position (6.4 / 6.5 / 6.6).

Anbring vinduets underkarm mellem tagspær som vist (6.7) med de allerede monterede bolte. Monter udskyderstang (1067) på nederste vinduesprofil. Brug skruer (1006) som i (6.8).

Skub gummihætten på enden af udskyderstang (6.6). Monter begge pløkker (2016) på underkarm med skruer (1006) som i (6.7) og (6.8).

## 7. MONTERING AF GLAS – 7A.

**NB! BEMÆRK VENLIGST OVENNÆVNTE SIKKERHEDSFORANSTALTNINGER.**

Tryk gummiliste (1020) på aluminiumsprofilerne

(7.2) og skær til i rette længde.

Start med at lægge glas i taget ved hjælp af glasholdere (1012), som i (7.3) og glasclips (1011) som i (7.1).

Følg glasplanen. Sæt glas i resten af drivhuset på samme måde.

De bøjelige glasholdere (5012), se (7.4), anvendes ved isætning af glas 7 og 5 i både for- og baggavl.

**Brug arbejdshandsker**, da glasset kan have skarpe kanter.

## FÆRDIGGØRELSE

Hvis De ønsker at tætn hjørner og samlinger kan dette gøres med silikone (ikke inkluderet). Vær dog opmærksom på, at jo tættere huset er, jo mere kondens vil der blive dannet.

Den vedlagte selvklæbende identifikationsetiket kan med fordel anbringes indvendigt i drivhuset. Oplysningerne på etiketten vil gøre det meget lettere for Dem at fremskaffe reservedele, såfremt dette skulle blive aktuelt.

Vitavia tilbyder et stort tilbehørsprogram, der gør det let at få optimalt udbytte af drivhuset. Kontakt Deres forhandler for yderligere oplysninger eller læs mere på vor hjemmeside [www.vitavia.dk](http://www.vitavia.dk)

Ca. 2 uger efter færdiggørelse kontrolleres det, at alle møtrikker er spændt korrekt.

## SIKKERHEDSANVISNING

**Brug arbejdshandsker, da nogle af delene kan have skarpe kanter.**

I tilfælde af stærk blæst eller storm: Luk alle oplukkede vinduer og døre, afmonter om nødvendigt eventuelle automatiske vinduesåbnere. Se endvidere vor hjemmeside [www.vitavia.dk](http://www.vitavia.dk), hvor De finder gode råd til forebyggelse af stormskader.

I tilfælde af stormskade kan der være mange glasstumper, som skal fjernes med stor forsigtighed for at undgå personskader.

I tilfælde af kraftigt snefald: Ryd drivhusets tag for sne og træf passende foranstaltninger til at understøtte taget f.eks. med en stolpe el. lign.

## ANMÆRKNINGER

Vi anbefaler, at De sørger for, at Deres husforsikring også dækker Deres drivhus.

Overhold alle byggevedtægter. Kontakt Teknisk Forvaltning i Deres kommune, hvis De er i tvivl.

Vi forbeholder os ret til uden varsel at foretage løbende produktjusteringer. På vor hjemmeside [www.vitavia.dk](http://www.vitavia.dk) vil De altid kunne downloade den nyeste manual, som derfor kan afvige lidt fra Deres produkt.

Manualens udgave kan identificeres ved hjælp af den talkode, der er trykt nederst på hver side i manualen. På hjemmesiden kan De også læse mere om vort store udvalg i tilbehørsartikler.

Alle målangivelser er ca.-mål.

Typebetegnelsen skal De bruge ved bestilling af evt. reservedele, så venligst opbevar montagevejledningen til senere brug.

Vi ønsker Dem god arbejdslyst og håber, at De får rigtig mange gode stunder med og i Deres Vitavia drivhus.



# Säkerhetsinstruktioner

## 1. LÄS IGENOM MONTERINGSANVISNINGEN INNAN NI BÖRJAR MONTERA VÄXTHUSET.

2. När man hanterar glas eller polykarbonat skall man alltid använda handskar. Vassa kanter kan förorsaka skador. Vassa kanter eller hörn på aluminiumprofilerna kan också förorsaka skador, använd därför även handskar vid montering av dessa.

3. Denna produkt är konstruerad för att vara ett växthus och har inte en helt tät konstruktion eftersom det är viktigt med luftgenomströmning för att undvika kondenser.

Om ni önskar använda växthuset som uterum eller liknande, vill vi göra er uppmärksam på att växthuset inte är 100% vattentätt och att vi inte tar på oss något ansvar för skador på eventuellt lösöre som är placerat i växthuset.

4. Det krävs två personer för att montera detta växthus.

5. Om det skulle visa sig svårt att montera växthuset eller att sätta i glaset eller polykarbonatet, skall råd begäras av växthusets återförsäljare. **Bruka ej våld.**

6. Växthuset måste förankras.

## Montering av växthuset

### PLACERING

Välj en solig plats med mesta möjliga solljus på taket. Välj en plats som är skyddad mot vind så mycket som möjligt.

### VIKTIGT

Innan monteringen av växthuset påbörjas, bör delarna kontrolleras mot detaljförteckningen. För att kunna identifiera delarna skall de packas upp ur lådan.

Det är viktigt att de öppnade buntarna inte blandas samman.

Om något saknas kontakta din återförsäljare.

**Muttrar (1002) får ej dras åt för hårt, max 3Nm**

### ERFORDERLIGA VERKTYG

Skruvmejslar (flat och kryss), 10mm hylsnyckel och fast nyckel, kniv, tumstock, vattenpass, skruvdragare och stege.

### UNDERHÅLL

För att hålla växthuset rent skall det då och då tvättas med en svag lösning av diskmedel.

Glaset kan göras rent med något rengöringsmedel som inte skadar aluminiumprofilerna eller glasklämmorna.

Håll både övre och undra dörrglidsskenorna rena från smuts.

### 0. GRUND

Kontrollera att grunden är i vinkel och vågrät. En monteringsfärdig stålsockel finns för alla modeller och kan erhållas från återförsäljaren. På utsatta platser bör man borra hål i bottenprofilen och sockeln och dra ihop dem med bult och mutter. Den som vill bygga en tegel- eller betonggrund bör följa dimensionerna som anges i avsnitt 0. Montera läkt såsom bilden

visar och borra igenom bottenprofilerna i mitten på varje fack. Lämna tillräckligt utrymme för glaset och fäst växthuset med 12x50 mm skruvar.

Fundament måste fästas på frostfritt djup.

**Alla bilder på växthuset är visade inifrån med undantag från de bilder som har dubbla ringar runt sig, dessa är visade utifrån.**

### 1. SIDOR

Lägg ut delarna på marken och sätt ihop dem löst med bult och mutter enligt ritning 1A till 1B. För modellerna 6700, 8300, 9900 och 11500 gäller att föra in en extra bult i varje lodrät profil (1032) för montering av stråvan (5095) (1.2). Fäst hörnplattan (5091) lätt (1.1).

### 2. GAVEL UTAN DÖRR

Lägg ut delarna enligt ritning 2. och fäst dem löst med skruv och mutter. För in två extra skruvar i de vertikala profilerna (5041) och (5042) för montering av den vågräta stråvan (2.2 / 2.6) och den tvärgående stråvan (2.6). För även in en extra skruv i den lodräta profilen (5101) för montering av (5039) (2.2).

### 3. GAVEL MED DÖRR

Lägg ut delarna enligt ritning 3. Och fäst dem löst med skruv och mutter.

Kom ihåg att föra in 2 extra skruvar i de lodräta profilerna (5041) och (5042) för montering av de vågräta stagen (2089 / 2090 / 5096 / 5097) (3.3).

Fäst löst från utsidan 3 bultar och muttrar på dörrspårstödet (2048) och för över dörrglidsskenan (5045) på bultstudsarna. Montera fast detaljer (5501) och (5002) med bult (1001) som visat i (3.10) (3.11).

### 4A. MONTERING

Fäst långsidorna på kortsidorna (4.1 / 4.2 / 4.3) Fäst hörnplattorna (1092) enligt (4.1) dessa fästes i takfotsprofilen (2053 / 2052 / 2051 / 2050 / 5050) och ändgavelprofilen (5034).

Montera taknocken med hjälp av plattor (1092) enligt (4.4 / 4.5).

Montera dörrskenans lodräta stöttor (5043) mellan dörrglidsskenan (5045) (4.6) och ändgavelprofilen med (6060), skruv (4201) och distans (1310) (4.6).

### 4B. TAKET

Montera nu takets glasningsprofiler (5055) på taknocken (4.8) och i takfoten (4.7). Kom ihåg att föra in extra bult i glasprofilerna (5055) för att sedan kunna montera takventilation och förstärkningar. Totala antalet är beroende på vilken modell ni köpt och detta kan avläsas i fig 4B och läses framifrån och bakåt.

Montera takstolarna (2057) som i (4.9) och de diagonala stråvorna (5049) (4.11). Skruvarna skall dras åt men **inte för hårt**.

Lyft upp stommen på den iordningsställda grunden och fäst den lätt.

Kontrollera att huset är rätvinkligt och i våg och drag åt bultarna något, inte för hårt. **(max. 3Nm)**

Kontrollera att växthuset är i våg och rätvinkligt.

### 5L OCH 5R. DUBBLA DÖRRAR

**Undvik att ställa den monterade dörren på dörrgliden.**

Montera de undre dörrgliden (1014) på båda ändar av den nedre dörrprofilen (1360), (5.1)

Montera resten av dörren enligt ritning 5.

Montera fast hjulskenan (1362) på den översta dörrprofilen (1359) enligt (5.3). För in dörrtätningsskivan (5021) i de lodräta sidoprofilerna (5058) (5.5). För in bult (1500) i spåret på

(5058) och fäst dörrtätningslisten med mutter (1515) (5.6). Klipp dörrtätningslisten till rätt längd. Notera att den inre profilen på vänster dörr är profil (5099) och höger dörrs inre profil är (5098). **BILDERNA ÄR SEDDA INIFRÅN!** Montera bägge hjulen (1015) på hjulskenan (1362) med bultar (1304), brickor (1009) och muttrar (1007) som visas i (5.4). **OBS!** Det är viktigt att vända dörrhjulet åt rätt håll, dvs med "halsen" mot (1362).

För ihop de båda (5045) och fäst dem i skarven med bult (2001).

Om dörrstötter monterats måste dessa lossas (2043).

För nu på dörren från sidan på dess "hjul" i profil (5045) (5.7). Kontrollera även att de undre dörrgliden (1014) glider rätt på bottenprofilen se (5.8).

Justera dörren genom att lossa eller föra ihop de övre profilerna (1359 & 1362) så att den glider lätt.

## 6. TAKVENTILATION

Montera sidoprofilerna (1065) på övre profilen (1064) enligt (6.1) för max 3mm glas och enligt (6.2) för 4mm och över.

Sätt i bultarna i de förborrade hålen i sidoprofilerna för senare montering av bottenprofilen (1066).

För in glasskivan i spåren på sidoprofilerna (1065) (6.3).

Fäst nu bottenprofilen (1066) och se till att fönstret är rätvinkligt innan skruvarna dras åt.

För in ventilationen i taknockens spår från ena ändgaveln på växthuset (6.4) och (6.5) och skjut den till önskat läge (6.6).

Fäst fönsterkarmen (1063) med hjälp av de tidigare iförda bultarna (6.7). Kontrollera att rätt sida kommer uppåt.

Fäst fönsterhaken (1067) på den nedre fönsterprofilen (1066) (6.6) och de två hållarna (1016) på fönsterkarmen (1063) med skruvar (1006) (6.7). Sätt på skyddet (1019) på fönsterhaken.

## 7. GLASNING

Vänligen notera säkerhetsreglerna.

Fäst gummilisten (1020) på alla lodräta profiler som visas i (7.2) och klipp dem i rätt längd.

Börja glasa taket och fäst glasskivorna med hjälp av clips (1011) enligt (7.2). Lägg glasskivorna omlott med hjälp av glashållare (1012) (7.3). De justerbara glashållarna (5012) se (7.4) användes vid montering av glaset nr 7 och 5 i både fram- och bak gavel.

Glasa hela huset enligt ritningen.

## FÄRDIGSTÄLLNING

Om det är önskvärt att växthuset tätas används silikon för utomhusbruk i alla fogar.

Sätt på skyddsplattorna på alla ändprofiler.

Fäst varningslappen om snöröjning på insidan av växthuset.

Ett komplett sortiment tillbehör passande detta växthus kan erhållas från återförsäljaren.

Fäst klisterlappen med modellbeteckningen på lämplig plats om reservdelar skulle behöva beställas vid ett senare tillfälle

## SÄKERHETSFÖRESKRIFTER

Vid kraftig vind skall fönster och dörrar stängas och reglas.

Vi föreslår att växthuset inkluderas i hemförsäkringen.

Vi utvecklar ständigt våra produkter och vi reserverar oss mot kommande förändringar i konstruktionen. Den senaste manualen finns alltid på vår hemsida **www.bony.se**

**1. VENNLIGST LES DENNE VEILEDNING, FØR DU GÅR I GANG MED MONTERING AV DITT DRIVHUS.**

- Når du monterer polykarbonat eller glass, bør du **alltid** bruke **hansker**. Skarpe kanter kan forårsake skader, også skarpe kanter og hjørner på aluminiumsprofiler. Her bør du også bruke hansker.
- Produktet du har kjøpt, er konstruert til planteavl og skal utelukkende benyttes til dette. Ved annen bruk bortfaller all garanti.
- Til montasje av dette produktet kreves 2 personer
- Skulle De få problemer med drivhusmonteringen eller glassinnsetning, bør du kontakte din forhandler.

**MONTERING****PLOSSERING**

Velg et solrikt sted, hvor det er mest mulig le.

**VIKTIG**

Før du begynner og montere ditt drivhus, kontroller etter innholdsfortegnelsen, at alle deler er med. Ta ut posene fra emballasjen, for og kontrollere innholdet.

Det er viktig å ikke blande delene.

Hvis det mangler noen deler, kontakt Deres forhandler.

**NØDVENDIG VERKTØY**

Skrutrekker (flat og stjerne PH 2),  
1 x 10 mm fastnøkkel.

**VEDLIKEHOLD**

Drivhuset bør regelmessig rengjøres med et mildt rengjøringsmiddel.

Glasset kan rengjøres med et hvilket som helst rengjøringsmiddel, det skader ikke aluminiumsprofilen eller glassklipsene.

**0. FUNDAMENT**

**Viktig!** Sørg for at sokkelen er i vinkel og vannrett. Til alle drivhusmodeller fåes en galvaniseret stålsokkel som tilbehør

**(NB!)** Skal drivhuset plasseres på et utsatt sted, anbefaler vi, at man borer hull i bunnprofilen og stålsokkelen, så skrur man de sammen med bolter og **mutter**. Ønsker du selv og bygge en sten-eller betongfundament, følg da dimensjonene, som er vist i avsnitt 0. Legg en trykkimpregnert trelist mellom fundament og bunnprofil på drivhuset, som vist, og benytt 50 mm skruer og pluggar (følger ikke med).

**Alle tegninger av drivhuset er sett innenfra, unntatt de tegningene, hvor det er dobbelstrek utenom. Disse er sett utenfra.**

**1. SIDER**

Plasser delene på bakken og skru dem sammen.

Husk at ved model VM0006-DS 6700, 8300, 9900 og 11500 skal det skrues en ekstra skruer i de ytterste lodrette glassprofilene (1032) for og senere kunne montere skrånstivere (5095) (1.2). Hjørneplatene (5091) skrues løst på (1.1).

De ytterste skruene skal løsnes igjen for og montere veksthuset (se 4).

**2. GAVL UTEN DØR**

Plasser delene på bakken og skru dem sammen.

I de lodrette profilene (5041/5042) det skal brukes 2 skruer for og kunne montere avstivere (2.2/2.6).

Husk en skruer i den midterste lodrette profilen (5101).

**3. GAVL MED DØR**

Plasser delene på bakken og skru dem sammen.

Fest dørskinnen (5045) på den vannrette glierskinnen (2048). Skru løst sammen utenfra med 3 skruer og muttere.

Monter delene (5001) og (5002) med skruer (1001) som i (3.10) (3.11).

I de lodrette profilene (5041/5042) det skal brukes 2 skruer for og kunne montere avstivere (3.3).

**4A. MONTERING**

Fest de 2 sidene til gavlene (4.1/4.2/4.3). Monter takrygg og hjørnebeslagene (1092) som i (4.4/4.5).

Fest støtteprofil (5043) med dørskinnen (5045) og med gavlprofilen ved hjelp av (6060), skruer (4201) og mellomstykke (1310) som i (4.6).

**4B. MONTERING AV DE FORSKJELLIGE TAKDELENE**

Skru taksperene (5055) sammen med takryggen og takrende (4.7/4.8). Husk og sette skruer i taksperene til montering av vinduer, avstivning og møner. Det totale antal, som skal brukes, er vist i sirklen (inkl. skruer til montering av takrygg og takrende).

Monter mønen (2057) som i (4.9). Monter skrånstivere (5049) som i (4.11). sett det løst skrudde veksthuset på fundamentet og skru det løst sammen med sokkelen.

Kontroller at veksthuset er i vinkel og vater deretter skru til skruene.

Skruene skal strammes, men ikke for mye. **(max. 3Nm)**

Beskyttelseshetter (1017) festes på (4.10) profilene.

**5L. og 5R. DØR**

Døren monteres som vist på den store tegningen. Trykk dørgliden (1014) på enderne av nederste dørprofil (5.1)

Skru begge dørhjul på kjøreskinne med 4 mm skruer, skiver og mutter (5.4).

Hjulsinnene skrues på øverste dørskinne (5.3). Monter tetningslister i de lodrette dørsinnene (5058) se (5.5).

Innerste lodrette dørskinne er på høyre side (5099) se (5L), på venstre siden (5098) se (5R).

Skyv hjulsinnene inn i dørgliderskinnen. Sørg for at nederste dørskinne settes på bunnprofilen, se (5.8).

Juster hjulsinnene, så døren går lett (5.7).

**6. TAKVINDU**

Skru takvindu sammen som vist på illustrasjonen.

Sideprofilene (1065) skrues på topskinnen (1064). Er glasset tynnere end 4 mm benyttes

metoden i (6.1), er det 4 mm eller tykkere, benyttes metoden i (6.2).

Fest skruer i sidestykkene og dytt inn glasset i som i (6.3).

Nederste vinduesprofil (1066) skrues sammen med sidestykkene.

**NB!** Vindu skal være i vinkel.

Dytt takvindu inn i takryggen og fest det i den ønsket posisjon (6.4/6.5/6.6).

Monter vinduets underkarm mellom taksperr som vist (6.7) med de allerede monterte skruer. Monter luftestangen (1067) på nederste vinduprofil. Bruk skruer (1006) som i (6.8).

Monter gummihetten (1019) på enden av luftestangen (1067) som i (6.6). Monter begge pluggen (1016) på underkarmen med skruer (1006) som i (6.7).

## 7A. MONTERING AF GLAS

Husk de overnevnte sikkerhetsreglene.

Trykk gummilisten (1020) fast i aluminiumsprofilen (7.2) og skjær til i rette lengder.

Start med og legg glass i taket ved hjelp av glassholdere (1012), som i (7.3) og glassklips (1011) som i (7.1).

Følg glassplaten. Sett glass i resten av veks-  
thuset på samme måte.

De bøyelige glassholderene (5012), se (7.4), brukes ved isetting av glass 7 og 5 i både for- og bakkant.

Bruk hansker, da glasset kan ha skarpe kanter.

## FERDIGSTILLELSE

Drivhuset kan tettes i hjørner ved hjelp av silikon (følger ikke med)

Legg sikkerhetsforskriftene inne i drivhuset på et synlig sted.

Vitavia tilbyr et stort tilbehørsprogram som gjør at du kan få optimalt utbytte av drivhuset. Kontakt deres forhandler for ytterligere opplysninger.

## SIKKERTHETSANVISNING

I tilfelle storm. Lukk alle åpne vinduer og dører.

I tilfelle kraftig snøfall, fjern snø fra taket.

## ANMERKING

Vi anbefaler, at De sørger for, at Deres **husforsikring** også dekker drivhus. Overhold alle byggvedtekter.

Typebetegnelsen må du bruke ved bestilling av evt. Reservedeler, så oppbevar monteringsanvisningen til senere bruk.

## Disposizioni di sicurezza

### 1. LEGGERE ATTENTAMENTE E COMPLETAMENTE LE ISTRUZIONI DI MONTAGGIO PRIMA DI INIZIARE I LAVORI!

2. Durante il maneggio di vetro, pannelli di policarbonato o componenti di serre si raccomanda di indossare sempre occhiali di protezione, guanti e calzature di sicurezza nonché un elmetto protettivo, poiché gli spigoli taglienti possono causare delle lesioni. I vetri rotti costituiscono un elevato rischio per la sicurezza. Eliminare i vetri rotti con la massima prudenza.
3. Il prodotto acquistato è ideato per la coltivazione di piante e deve essere utilizzato esclusivamente per questo scopo. Per qualsiasi altro utilizzo si declina ogni responsabilità.
4. Per il montaggio di questo prodotto sono richieste due persone.
5. Qualora dovessero verificarsi delle complicazioni durante l'operazione di montaggio della serra o all'inserimento della vetratura, vogliate contattare il vostro commerciante di fiducia – **Non usare in nessun caso la forza!**
6. La serra deve essere sempre ancorata al suolo.

## Descrizione della struttura

### SCelta DEL LUOGO

Scegliere possibilmente un posto al sole, ma al contempo protetto dal vento.

### IMPORTANTE

Prima di iniziare l'operazione di montaggio della serra, accertarsi che siano presenti tutti i componenti elencati. Prelevare i componenti dall'imballaggio, per poterli identificare meglio. È particolarmente importante non mischiare tra di loro i componenti aperti.

„Vite a vuoto“ = vite e dado per il futuro fissaggio dei componenti, inizialmente senza funzione visibile.

Qualora dovesse mancare qualcosa, vogliate contattare immediatamente il vostro fornitore.

**Stringere i dadi (1002) ad una coppia di max. 3Nm.**

### UTENSILI RICHIESTI

Giravite (piatto e a croce PH2), 1 chiave da 10 mm, chiave ad anello e a bocca, coltello, metro, livella a bolla, avvitatore a batteria con coppia regolabile.

### MANUTENZIONE

La serra dovrebbe essere periodicamente pulita con della liscivia detergente neutra. Il vetro può essere pulito con un detergente, che non aggredisca però i componenti di materiale sintetico, i telai d'alluminio né le graffe delle molle per i vetri. Pulire periodicamente la guida di scorrimento della porta.

### 0. FONDAMENTA

**Importante!** Il fondamento deve essere assolutamente ad angolo retto e livellato. Come accessorio è disponibile un fondamento d'acciaio zincato, per tutti i modelli di serre.

**(Attenzione!)** Solo se la serra deve essere montata in un punto poco protetto ed esposto

al vento: Perforare i profili di base e il fondamento d'acciaio e avvitarli entrambi tra di loro per mezzo delle viti e dei dadi)

Se preferite realizzare individualmente un fondamento in pietra o calcestruzzo, vogliate orientarvi alle misure indicate al paragrafo 0. I listelli di legno pretrattati per resistere alle condizioni atmosferiche con uno spessore di almeno 18 mm e al massimo 32 mm di larghezza vengono inseriti fra il fondamento di pietra/calcestruzzo e il telaio d'alluminio, successivamente perforati come descritto al disegno e infine avvitati per mezzo di viti lunghe 50 mm (non comprese in dotazione) nel fondamento.

Il fondamento deve essere trattato con una mano di antiruggine.

**Tutti i disegni sono illustrati dalla parte interna della serra, salvo le illustrazioni, che sono rappresentate in una doppia cornice. Queste descrivono la veduta esterna.**

### 1. FIANCATE

Sistemare tutti i componenti al suolo e avvitarli senza stringerli definitivamente.

Riguarda VM0006-DS 6700, 8300, 9900 & 11500 –

in quest'occasione bisogna avvitare un'ulteriore vite a vuoto nei listelli di vetratura esterni verticali (1032), alla quale fissare le diagonali (5095) (1.2). Avvitare le lamiere angolari (5091), senza stringerle, come descritto al capitolo (1.1).

Svitare nella fase 4 le viti esterne, per permettere di avvitare le estremità e i lati dei frontoni con porta alle fiancate.

### 2. PANNELLO DEL FRONTONE SENZA PORTA

Sistemare anche questi componenti al suolo e avvitarli senza stringerli definitivamente.

Inserire in tutti i listelli di vetratura verticali

(5041 e 5042) due viti a vuoto e avvitarle in un secondo tempo (2.2 e 2.6). Introdurre una vite a vuoto nel puntone (5101).

### 3. LATO DEL FRONTONE CON PORTA

Sistemare nuovamente i componenti al suolo e avvitarli senza stringerli definitivamente.

La guida di scorrimento della porta (5045) viene applicata alla guida (2048) disposta in orizzontale sulla porta. Avvitare quest'ultima **dall'esterno** senza stringerla definitivamente, per mezzo delle viti e dei dadi.

Fissare gli adattatori (5001) e (5002) con le viti, come raffigurato (3.10) (3.11) (1001).

Inserire rispettivamente 2 viti a vuoto nei profili verticali (5041) e (5042) (3.3).

### 4A. ASSEMBLAGGIO DEI SINGOLI ELEMENTI

Avvitare gli elementi laterali con i lati del frontone (4.1 / 4.2 / 4.3).

Montare il colmo (4.4/4.5) e inserire le lamiere angolari (1092) nella zona del frontone.

Avvitare i supporti della guida della porta (5043) alle guide di corsa della porta (5045) utilizzando le rondelle (6060)(4.1), e fissarli al lato del frontone utilizzando le viti (4201) e il distanziale (1310) (4.6).

### 4B. ASSEMBLAGGIO DEI SINGOLI ELEMENTI

Avvitare ora le traverse del tetto (5055) al colmo e alla grondaia (4.7/4.8).

Tenere presente che a seconda delle misure della serra acquistata, nei profili centrali del tetto bisognerà avvitare delle viti a vuoto. La quantità viene specificata dai numeri cerchiati.

Applicare un rinforzo (2057) come illustrato alla voce (4.9) e una diagonale (5049) come illustrato alle voci (4.11 / 4.12 / 4.13).

Piazzare la serra fino a questo punto assemblata per mezzo delle viti sul fondamento e avvitarla al fondamento, senza stringere definitivamente.



Controllare a questo punto se la serra si trova ad angolo retto, altrimenti effettuare le necessarie correzioni. Stringere successivamente le viti.

**Le viti devono essere strettamente serrate, ma non eccessivamente. (max. 3Nm)**

Spingere le calotte protettive (1017) sulle estremità dei profili (4.10).

## 5L e 5R. DOPPIA PORTA

**Attenzione: Non collocare mai la porta montata sull'elemento scorrevole (1014)!**

Premere dentro gli elementi scorrevoli (1014) in ambedue le estremità nel profilo inferiore della porta (1360) (5.1).

Avvitare gli elementi della porta come illustrato nel disegno 5.

Avvitare il profilo della porta (1362) al profilo superiore (1359) (5.3) e inserire le guarnizioni (5021) nei puntoni verticali esterni della porta (5058) (5.5). Inserire le viti (1500) nel canale inferiore che supporta le guarnizioni delle spazzole (5021) e avvitarle con dadi (1515) (5.6). Tagliare le guarnizioni della porta (5021) alla lunghezza voluta. Assicurarsi che la parte (5099) Per il profilo laterale sia montata sul lato sinistro (5L), la parte (5098), invece, su quello destro (5R).

Avvitare le tue rotelle della porta (1015), come mostrato nella figura (5.4), per mezzo delle viti M4 (1304), le rondelle (1009) e i dadi (1007) con la parte superiore della porta (1362).

Fissare la vite (2001) all'elemento di giunzione tra le due (5045), come raffigurato.

Sbloccare i supporti della porta (2043).

Ora le rotelle del profilo dell'elemento di guida della porta (5045) possono essere introdotte lateralmente (5.7). Assicurarsi che gli elementi scorrevoli della porta scorrano sul traversino verticale del profilo del suolo (5.8).

Regolare la porta, in modo che possa scorrere senza attrito.

## 6. FINESTRINO SUL TETTO

Assemblare il lucernario per mezzo delle viti come mostrato nella figura. Avvitare i telai laterali (1065) con la parte superiore del lucernario (1064). In una vetratura più sottile di 4 mm, come mostrato nella figura (6.1), in una vetratura di 4 mm o più, come mostrato nella figura (6.2).

Inserire il vetro nei telai laterali (6.3), ma inserire prima le viti dei fori nei telai laterali.

Avvitare a questo punto il profilo inferiore della finestra (1066) con il telaio laterale.

**Attenzione: La finestra deve essere ad angolo retto.**

Inserire il lucernario nel colmo (inserendolo dall'estremità del colmo stesso) e portarlo nella posizione prevista (6.4/6.5/6.6).

Avvitare la soglia del lucernario (1063) con le viti a vuoto, conformemente alle indicazioni riportate al capitolo (6.7). Avvitare l'intelaiatura del lucernario (1067) al profilo inferiore della finestra (1066). Qui sono da utilizzare le viti (1006) (6.8).

Fare passare la presente cappa di gomma (1019) attraverso l'estremità inferiore dell'intelaiatura del lucernario (6.6). Avvitare i due perni a scatto (2016) alla soglia del lucernario (1063) utilizzando le viti (1006) (6.8).

## 7A. e 7B. VETRATURA IN VETRO BLANK

**Sono da osservare le misure di sicurezza summenzionate.**

Premere la guarnizione del vetro (1020) sui profili d'alluminio (7.2) e tagliarla alla rispettiva misura di lunghezza.

Iniziare la vetratura del tetto partendo dalla grondaia utilizzando le lastre in policarbonato (5020) e le graffe elastiche di vetratura (1011) (7.1) come raffigurato nello schema di vetratura. Collegare il vetro policarbonato e la lastra di vetro con le graffe di supporto (1012) (7.3).

Sulle fiancate bisogna iniziare dal basso. Per invetriare il lato anteriore o posteriore, fissare i portavetro (5012) alla lastra 10 e piegarli verso l'alto per fissare le lastre superiori 11 (7.4).

È possibile sostituire una lastra 10 con una lastra 13 e con un frangisole. Il frangisole non è compreso nel volume di fornitura.

## LE ULTIME OPERAZIONI

È anche possibile sigillare i giunti della serra con sigillante siliconico a reticolazione neutra. Il silicone non è incluso nel volume di consegna.

Applicare dall'interno il presente adesivo di avvertimento.

Il vostro fornitore dispone di un assortimento completo di accessori per serre.

Contattatelo.

## INFORMAZIONI DI SICUREZZA

Per garantire la protezione completa della serra vi consigliamo di includerla nella vostra **polizza assicurativa domestica**. Osservare eventuali prescrizioni edilizie locali vigenti.

Incollare l'adesivo di identificazione fornito in dotazione sul corpo della ruota (1362) dopo il completamento del montaggio della serra.

La denominazione del tipo è richiesta per specificare eventuali pezzi di ricambio da ordinare. Conservare sempre le istruzioni per il montaggio!

Tutte le misure specificate sono valori approssimativi.

Con riserva di modifiche.

# Środki Bezpieczeństwa

## 1. PRZED ROZPOCZĘCIEM MONTAŻU PROSZĘ PRZECZYTAĆ CAŁKOWICIE TĘ INSTRUKCJĘ MONTAŻU!

- Przy obchodzeniu się ze szkłem, płytami z poliwęglanu lub częściami szklarni należy nosić zawsze okulary ochronne, rękawice ochronne, buty ochronne i ochronę na głowę, ponieważ ostre krawędzie mogą spowodować obrażenia. Pobite szło stanowi element ryzyka. Proszę usunąć je z zalecaną ostrożnością.
- Produkt, który został nabyty przez Państwa, został skonstruowany do hodowli roślin i może być używany wyłącznie do tego celu. W przypadku innego zastosowania wyklucza się wszelką odpowiedzialność.
- Zaleca się montowanie produktu we 2 osoby.
- Jeżeli będą mieli Państwo problemy podczas montażu szklarni lub w trakcie zakładania oszklenia, to proszę skontaktować się z Państwa sprzedawcą – **proszę nie używać siły!**
- Szklarnię należy zakotwiczyć.

## Instrukcja Montażu

### WYBÓR MIEJSCA

Proszę wybrać słoneczne miejsce, ale jednocześnie chronione przed wiatrem.

### WAŻNE

Zanim rozpoczną Państwo montaż szklarni, należy sprawdzić, czy występują wszystkie części wymienione na liście. Proszę wyjąć poszczególne paczki z opakowania, aby było możliwa ich lepsza modyfikacja.

Należy zwrócić uwagę, aby otwarte paczki nie wymieszały się między sobą.

Jeżeli brakuje czegoś, to proszę skontaktować się z dostawcą.

**Nakrętki (1002) należy dokręcić przy użyciu maks. 3 Nm.**

### POTRZEBNE NARZĘDZIA

Śrubokręt (normalny i krzyżak PH2), pierścieniowy klucz płaski 10 mm, nóż, całówka, poziomica, wkrętarka akumulatorowa z odpowiednią końcówką

### KONSERWACJA

Szklarnia powinna być od czasu do czasu gruntownie czyszczona za pomocą neutralnego ługu środka piorącego. Szkło może być myte środkiem czyszczącym, który nie jest agresywny w stosunku do tworzyw sztucznych, ram aluminiowych, a także klamer sprężynowych mocujących szkło. Należy regularnie czyścić szynę jezdną drzwi.

### 0. FUNDAMENT

**Ważne!** Fundament musi być absolutnie prostokątny i płaski. Ocynkowany fundament stalowy jest dostępny jako osprzęt dla wszystkich modeli szklarni.

**(Uwaga!** Wyłącznie w przypadku, gdy szklarnia musi być ustawiona w bardzo nieosłoniętym i wietrzonym miejscu: przewiercić profile podstawowe i stalowy fundament i skrócić je razem 2 śrubami i nakrętkami).

Jeżeli jednak chcą Państwo wykonać fundament z kamienia lub betonu, to proszę przygotować go zgodnie z danymi wymiarami podanymi w Rozdział 0. Listwy drewniane poddane wstępnej obróbce, odporne na działanie czynników atmosferycznych o grubości przynajmniej 18 mm, a o szerokości najwięcej 32 mm, włożyć pomiędzy fundament kamienny/betonowy i ramy aluminiowe, wywiercić otwory zgodnie z rysunkiem i wkręcić śruby o długości 50 mm (nie dostarczono) w fundament.

Fundament musi być wykonany w wersji odpornej na mróz.

**Wszystkie rysunki przedstawione są od strony wewnętrznej domku, z wyjątkiem rysunków, które przedstawione są w podwójnej ramce. Pokazują one widok z zewnątrz.**

### 1. CZĘŚCI BOCZNE

Wszystkie części należy ułożyć na podłodze i skrócić luźno śrubami.

Przy VM0006-DS 6700, 8300, 9900 & 11500 uwzględnienie dodatkowej nakrętki dociskowej przy każdej aluminiowej pionowej listwie (1032) jest niezbędne na tym etapie. Śruba ta jest potrzebna aby połączyć wsporniki krzyżowe (5059), zobacz (1.2).

Skręć luźno śrubami narożną blachę (1092) (1.1).

W kroku 4 śruba narożnej blachy musi być przykręcona do końca szczytu ściany.

### 2. KONIEC ŚCIANY SZCZYTOWEJ BEZ DRZWI

Te części należy również ułożyć na podłodze i skrócić luźno śrubami.

Do każdej pionowej listwy (2041 i 2042) należy dołączyć dwie dodatkowe śruby żeby połączyć wsporniki krzyżowe (2.2) & (2.6). Do pionowej listwy (2101) należy dołączyć tylko jedną

dodatkową śrubę.

### 3. STRONA SZCZYTOWA Z DRZWIAMI

Ponownie części należy ułożyć na podłodze i skrócić luźno śrubami

Szynę jezdną drzwi (5045) należy umieścić na poziomej szynie (2048). Należy ją z zewnątrz skrócić luźno za pomocą trzech śrub i nakrętek.

Połącz części (5001) i (5002) zgodnie z (3.10) & (3.11) za pomocą śruby.

Należy uwzględnić dwie dodatkowe śruby w pionowych listwach (5041) i (5042) (3.3)

### 4A. MONTAŻ POSZCZEGÓLNYCH ELEMENTÓW

Części boczne skrócić śrubami ze stronami szczytowymi (4.1) & (4.2) & (4.3). Zmontuj boczną listwę, następnie blachę narożną (1092) na końcach szczytu ściany. (4.4/4.5)

Przykręć wsporniki szyny drzwi (5043) do szyny jezdnej (5045) używając uszczelki (6060) (4.1) oraz do końca ściany szczytowej za pomocą śruby (1005) i przekładki (1310) (4.6).

### 4B. MONTAŻ POSZCZEGÓLNYCH ELEMENTÓW

Skręć podpory dachowe (5055) z kalenicą dachu (4.8) i okapem (4.7). W każdej podporze ukośnej dachu umieścić po 1 „pustej śrubie” w zależności od rodzaju domku. Liczba jest wskazana w kółku na każdej podporze i czytelna z obu stron.

W tym momencie należy zdecydować o położeniu okien dachowych oraz dostosować ilość dobranych dodatkowych śrub.

Wsporniki dachowe (2057) (4.9) oraz wsporniki krzyżowe (5049) można teraz zamontować zgodnie z rysunkami (4.11) (4.12) (4.13).

W ten sposób skręconą razem szklarnię ustawić na fundamencie i luźno przykręcić.

Następnie należy sprawdzić, czy konstrukcja jest absolutnie prostokątna, w przeciwnym

razie należy ją odpowiednio przesunąć. Potem dokręcić mocno śruby.

**Śruby muszą być dokręcone mocno, ale nie za mocno (maks. 3 Nm).**

Kołpaki ochronne (1017) wcisnąć na końce okapów (4.10).

#### 5L i 5R. DRZWI

**Uwaga: Zamontowanych drzwi nie wolno nigdy ustawiać na ślizgaczach drzwi (1014).**

Ślizgacze drzwi (1014) wcisnąć w końce dolnego profilu drzwi (1360) (5.1).

Zmontuj drzwi zgodnie z diagramem 5.

Skręć śrubami obudowę kółka (1362) z najwyższym profilem drzwi (1359) (5.3).  
Uszczelkę drzwi (5021) wcisnąć w pionowe podpory (5058) drzwi (5.5). Wsuń śruby w głąb otworu trzymając uszczelki szczotkowe (5021) i przymocuj za pomocą nakrętki (1515) (5.6).  
Przytnij uszczelki drzwi (5021) do odpowiedniej długości. Upewnij się, że do wewnątrz ramy bocznej część (5099) jest użyta po lewej stronie w (5L) a (5098) po prawej stronie w (5R).  
Obydwie rolki drzwi (1015), jak przedstawiono to na (5.4), skrócić za pomocą śrub M4 (1304), podkładek (1009) i nakrętek (1007).

Przykręć śrubę (2001) na łączeniu między dwoma (5045) jak wskazuje (5R).

Poluzuj wsporniki drzwi (2043).

Rolki drzwi należy wsunąć w szynę drzwi (5045) (5.7). Należy upewnić się, że dolne prowadnice drzwi zostały wprowadzone zgodnie z rysunkiem (5.8).

Drzwi należy tak ustawić, aby poruszały się bez przeszkód.

#### 6. OKNO DACHOWE

Ramy boczne (1065) skrócić z górną częścią okna dachowego (1064) w zależności od grubości szkła. W przypadku oszklenia cieńszego niż 4 mm jak na (6.1), w przypadku oszklenia 4 mm lub grubszego jak na (6.2).

Wsunąć szkło w ramy boczne (6.3), jednakże wcześniej wsadzić śruby w otwory ram bocznych.

Teraz należy skrócić dolny profil okna (1066) z ramą boczną i przed dokręceniem wszystkich śrub upewnić się, że okno posiada kąty proste.

Okno dachowe wprowadzić w kalenicę od jednego końca kalenicy i ustawić okno w przeciwnym kierunku (6.4) i (6.5).

Przykręcić próg okna dachowego (1063) odpowiednio (6.7) do tak zwanych „pustych śrub”.

Ustawiacz okna dachowego (1067) skrócić z dolnym profilem okna (1066). Są przy tym

stosowane śruby (1006) (6.8).

Istniejący kołpak gumowy (1019) wsadzić przez dolny koniec ustawiacza okna dachowego (6.6). Przykręcić obydwie czopy blokujące (2016) na progu okna dachowego (1063) śrubami (1006) (6.8).

#### 7A i 7B. OSZKLENIE PRZY UŻYCIU SZKŁA NIEPOWLEKANEGO / MATOWEGO

**Proszę przestrzegać przedstawionych wyżej środków bezpieczeństwa oraz dołączonej metody oszklenia „A” lub „B”**

Uszczelkę szkła (1020) wcisnąć na profile aluminiowe (7.2) i przyciąć ją na odpowiednią długość.

Oszklenie należy rozpoczynać od szczytu. Do mocowania poliwęglanowego szkła należy stosować klamry sprężynowe do oszklenia (1011), które należy zagiąć na zakrzywieniu i klamry mocujące pomiędzy szybami (1012) (7.3) zgodnie z ilustracją na schemacie oszklenia.

Przy oszkleniu przodu lub tyłu dopasuj część (5012) zgodnie z instrukcją na szybie 7 lub 10 i wygnij ją odpowiednio do górnych szyb 5 lub 11 (7.4). Możliwa jest zamiana dolnej szyby na okno żaluzjowe (na szybę 7A 1, na 7B zamiast szyby 10 na szybę 13). Okno żaluzjowe nie jest zawarte w zestawie.

#### OSTATNIE CZYNNOŚCI

Jeżeli życzą sobie tego państwo, to za pomocą silikonu można uszczelnić szklarnię na występujących już spoinach. Sylikon nie jest zawarty w zakresie dostawy. Dołączoną naklejkę ostrzegawczą należy nakleić od wewnątrz. Państwa dostawca posiada bogaty asortyment wyposażenia szklarni. Proszę się z nim skontaktować.

#### WSKAZÓWKI BEZPIECZEŃSTWA

W przypadku mocnego wiatru, wszystkie otwory i drzwi powinny być zamknięte. Dachy szklarni należy regularnie odśnieżać tak, aby nie powstały niebezpieczne obciążenia śnieżne. Należy ogrzewać budynek zimą.

#### UWAGI

W celu uzyskania pełnego zabezpieczenia szkieletu szklarni zalecamy, aby włączyć jej ubezpieczenie do ubezpieczenia domu. Proszę przestrzegać ewentualnie istniejących miejscowych przepisów budowlanych dotyczących szklarni ogrodowych. Dostarczoną naklejkę typu należy po pomyślnym montażu szkieletu szklarni nakleić na szkielet szklarni (1362). Oznaczenie typu potrzebują Państwo do podania danych przy zamówieniu ewentualnie potrzebnych części zamiennych. Proszę przechować tę instrukcję montażu do przyszłego użytku! Nasza polityka

## 1. PROSIMO, DA TA NAVODILA ZA MONTAŽO PRED ZAČETKOM POSTAVITVE V CELOTI PREBERETE!

- Pri rokovanju s steklom, polikarbonatnimi ploščami ali deli rastlinjaka morate vedno nositi zaščitna očala, rokavice, zaščitne rokavice in zaščito za glavo, ker se lahko na ostrih robovih poškodujete. Zlomljeno steklo predstavlja varnostno tveganje. Odstranite ga z zahtevano previdnostjo.
- Izdelek, ki ste ga kupili, je zasnovan za gojenje rastlin in ga smete uporabljati izključno za ta namen. V primeru drugačne uporabe je vsakršna odgovornost izključena.
- Za montažo tega izdelka sta potrebni dve osebi.
- Če imate pri montaži rastlinjaka ali vstavljanju zasteklitve težave, stopite v stik s svojim prodajalcem – **Ne ravnajte na silo!**
- Rastlinjak mora biti zasidran.

## Opis postavitve

### IZBIRA LEGE

Poiščite najbolj sončno lego, ki pa je hkrati zaščiten pred vetrom.

### POMEMBNO

Preden začnete z montažo vašega rastlinjaka, preverite, ali so na voljo vsi deli, ki so navedeni na seznamu. Da boste to lažje ugotovili, vzemite posamezne pakete iz embalaže.

Pomembno je, da odprtih paketov ne pomešate.

»Prazni vijak« = vijak in matica za poznejšo pritrditev delov, ki sprva nimata razvidne funkcije.

Če kaj manjka, stopite v stik z dobaviteljem.

**Matice (1002) privijte z največ 3Nm.**

### POTREBNO ORODJE

Izvičaj (za zarezo in križni PH2), 1 vijaki ključ 10 mm, obročni viličasti ključ, nož, zložljivi meter, vodna tehtnica, akumulatorski vijačnik z nastavljenim vrtilnim momentom.

### VZDRŽEVANJE

Rastlinjak občasno temeljito operite z nevtralnimi čistilom. Steklo lahko očistite s čistilnim sredstvom, ki ni agresivno do plastičnih delov, aluminijastega okvirja in vzmetnih sponk za steklo.

Redno očistite vodilo vrat.

### 0. TEMELJ

**Pomembno!** Temelj mora biti absolutno pravokoten in raven. Pocinkan jeklen temelj je kot oprema na voljo za vse modele rastlinjakov.

**(Pozor!)** Samo če je rastlinjak potrebno postaviti na zelo nezaščitenem in vetrovnem mestu: prevrtajte osnovne profile in jekleni temelj ter ju privijte skupaj z vijaki in maticami.)

Če pa želite temelj izdelati sami iz kamna ali betona, se ravnajte po navedenih merah v poglavju 0. Obdelane, proti vremenskim vplivom zaščitene lesene letve debeline najmanj 18 mm in širine največ 32 mm se vstavijo med kamniti oz. betonski temelj in aluminijasti okvir, v skladu z risbo prevrtajo in privijejo v temelj z vijaki dolžine 50 mm (niso priloženi).

Temelj mora biti postavljen zaščiten pred zmrzaljo.

**Vse risbe so prikazane z notranje strani rastlinjaka, z izjemo slik, ki so prikazane v dvojnem okvirju. Te opisujejo pogled na zunanjo stran.**

### 1. STRANICE

Vse dele položite na tla in rahlo privijte.

Za VM0006-DS 6700, 8300, 9900 in 11500 –

Pri tem je treba v zunanje navpične letve zasteklitve (1032) dodati dodaten prazni vijak, s katerim se pozneje pritrdijo diagonale (5095) (1.2). Kotne pločevine (5091) rahlo privijte, kot je prikazano na (1.1).

**V koraku 4** morate zunanje vijake spet odviti, da lahko zaključek zatrepa oz. vrata na zatrepi strani privijete na stranice.

### 2. ZAKLJUČEK ZATREPA BREZ VRAT

Tudi te dele položite na tla in rahlo privijte.

Prav tako v vsako navpično letvo zasteklitve (5041 / 5042) v tem primeru dodajte dva prazna vijaka, ki ju boste pozneje (2.2 in 2.6) privili. V palico (5101) vstavite samo en prazni vijak.

### 3. STRANICA ZATREPA Z VRATI

Dele položite na tla in rahlo privijte.

Vodila vrat (5045) se namestijo na letve, ki se nahaja vodoravno nad vrati (2048). Rahlo jo privijte od zunaj s tremi vijaki in maticami.

Pritrdite dela (5001) in (5002), kot je prikazano

v (3.10)( 3.11), z vijakom (1001).

V navpična profila (5041) in (5042) vstavite po dva prazna vijaka (3.3).

### 4A. POVEZOVANJE POSAMEZNIH ELEMENTOV

Stranice privijte na stranice zatrepa (4.1 / 4.2 / 4.3).

Montirajte sleme (4.4/4.5) in tam na območju zatrepa vstavite kotne pločevine (1092).

Podpornike vrat (5043) spojite z vodili vrat (5045) s pomočjo podložk (6060) (4.1) in s stranico zatrepa s pomočjo vijakov (4201) in distančnikov (1310) (4.6).

### 4B. POVEZOVANJE POSAMEZNIH ELEMENTOV

Zdaj privijte strešne palice (5055) na sleme in kapne elemente (4.7 / 4.8).

Upoštevajte, da je odvisno od velikosti rastlinjaka, ki ste ga kupili, treba v sredinske strešne profile vstaviti prazne vijake. Njihovo število je razvidno iz obkroženih števil.

Namestite ojačitev (2057), kot je prikazano v (4.9), in diagonalo (5049), kot je prikazano v (4.11 / 4.12 / 4.13).

Tako privit rastlinjak postavite na temelj in ga rahlo privijte na temelj.

Zdaj preverite, ali je rastlinjak absolutno pravokoten. Če ni, ga ustrezno premaknite. Nato vijake tesno privijte.

**Vijaki morajo biti trdno, vendar ne pretesno priviti. (največ 3Nm)**

Zaščitne kape (1017) natakните na zaključke profilov (4.10).

### 5L IN 5R. DVOJNA VRATA

**Pozor: Montiranih vrat nikoli ne postavite na drsnike vrat (1014), da jih ne poškodujete!**

Drsnike vrat (1014) na zaključkih vtisnite v profil vrat (1360) (5.1).



Elemente vrat privijte, kot je prikazano na risbi 5.

Profil vrat (1362) privijte na zgornji profil vrat (1359) (5.3) in tesnila vrat (5021) vstavite v navpične zunanje opore vrat (5058)(5.5). Vstavite vijake (1500) v spodnji kanal za vijake, ki drži krtačna tesnila (5021), in jih na tem mestu privijte z maticami (1515) (5.6). Tesnila vrat (5021) odrežite na ustrezno dolžino. Pazite, da se za notranji stranski profil montira del (5099) na levi strani (5L) in del (5098) na desni strani (5R).

Kolesca vrat (1015), kot je prikazano na (5.4), privijte s pomočjo vijakov (1304), podložk (1009) in matic (1007) na zgornji del vrat (1362).

Vijak (2001) pritrdite na spoj med obema (5045), kot je prikazano.

Odvijte podpornike vrat (2043).

Kolesca vrat lahko zdaj od strani potisnete v profil vodila za vrata (5045) (5.7). Pazite, da drsniki vrat tečejo na navpičnem delu talnega profila (5.8).

Vrata nastavite tako, da tečejo brez trenja.

## 6. STREŠNO OKNO

Strešno okno privijte v skladu s sliko. Stranska okvirja (1065) privijte na zgornji del strešnega okna (1064). Pri zasteklitvi, tanjši od 4 mm, ravnajte, kot je prikazano v (6.1), pri zasteklitvi debeline 4 mm ali več, pa kot v (6.2).

Steklo potisnite v stranska okvirja (6.3), vendar pred tem vstavite vijake v izvrtine stranskih okvirjev.

Zdaj privijte spodnji profil okna (1066) na stranska okvirja.

### **Pozor: Okno mora biti pravokotno.**

Strešno okno vstavite v sleme iz smeri zaključka slemena in okno postavite v predviden položaj (6.4/6.5/6.6).

Privijte prag strešnega okna (1063) v skladu z (6.7) z razpoložljivimi praznimi vijaki. Privijte oporo za odpiranje strešnega okna (1067) na spodnji okenski profil (1066). Pri tem uporabite vijake (1006) (6.8).

Natakните razpoložljivo gumijasto kapo (1019) na spodnji konec opore za odpiranje strešnega okna (6.6). Privijte zaskočna zatiča (2016) na pragu strešnega okna (1063) z vijaki (1006) (6.8).

## 7B. ZASTEKLITEV S PROZORNIM STEKLOM

**Prosimo, upoštevajte zgoraj navedene varnostne predpise.**

Pritisnite tesnilo za steklo (1020) na aluminijaste profile (7.2) in ga odrežite na ustrezno dolžino.

Z zasteklitvijo strehe začnite ob kapi s PC

(polikarbonatnimi) ploščami (5020) in v ta namen uporabite vzmetne sponke za zasteklitev (1011) (7.1). PC plošče in steklene plošče povežite s pomočjo sponk za steklo (1012) (7.3).

Na stranicah začnite spodaj. Pri zastekljevanju sprednje ali zadnje strani pritrdite držala za steklo (5012) na ploščo 10 in jih upognite navzgor, da pritrdite zgornji plošči 11 (7.4).

Eno šipo 10 lahko nadomestite s ploščo 13 in lamelnim oknom. Lamelno okno je dodatna oprema in ni vsebovano v dobavi.

### ZAKLJUČNA DELA

Če želite, lahko rastlinjak na razpoložljivih fugah zatesnite z nevtralnimi silikonom. Silikon ni vsebovan v dobavi.

Priloženo nalepko z opozorilom nalepite na notranji strani.

Vaš dobavitelj ima na voljo bogato izbiro opreme za vaš rastlinjak.

Povprašajte pri njem.

### VARNOSTNA NAVODILA

Ob močnem vetru zaprite vse odprtine in vrata.

S streh rastlinjakov pravočasno očistite sneg, da ne pride do nevarne obremenitve s snegom.

### OPOMBE

Za popolno zaščito rastlinjaka vam priporočamo, da ga vključite v **zavarovanje hiše**. Upoštevajte morebitne veljavne lokalne gradbene predpise.

Priloženo tipsko nalepko po opravljeni montaži rastlinjaka nalepite na ohišje koles (1362).

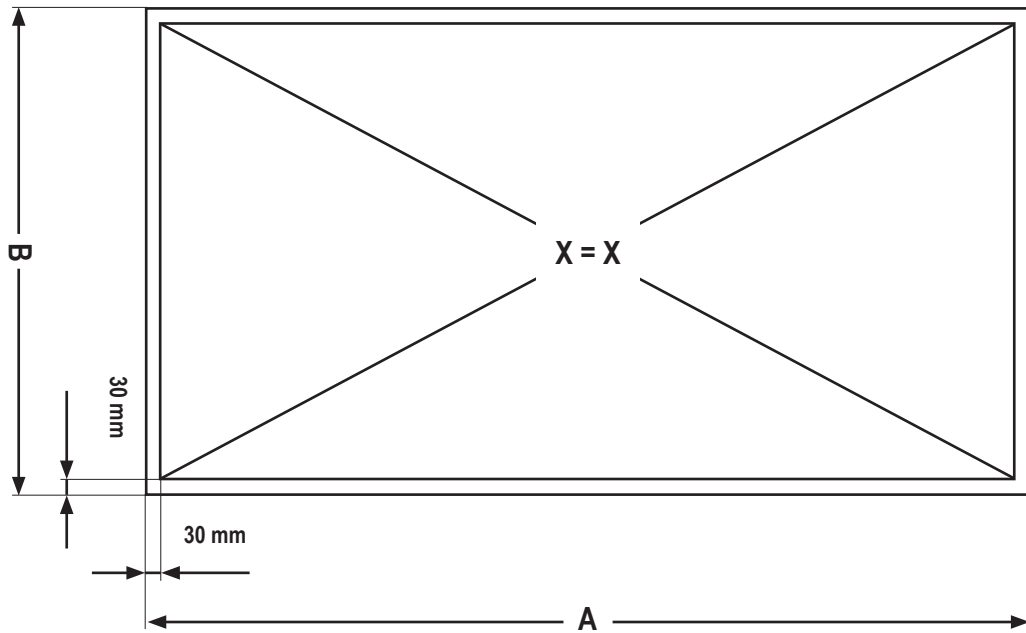
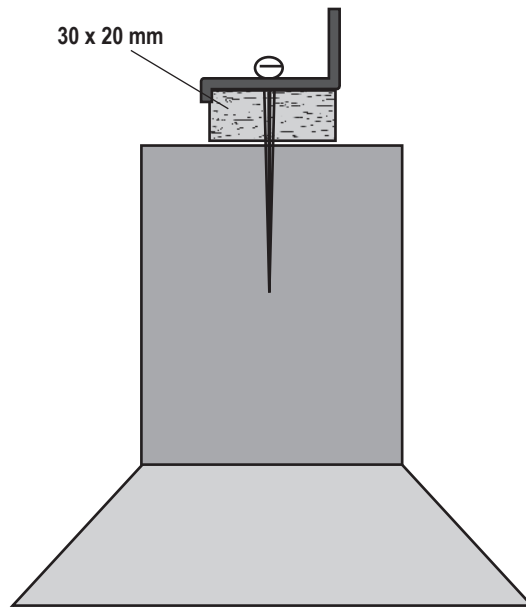
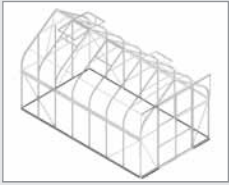
Oznako tipa potrebujete za navedbo pri naročilu morebitnih potrebnih nadomestnih delov. Prosimo, da navodila za montažo shranite!

Vse navedene mere so približne mere.

Pridržujemo si pravico do sprememb.



0



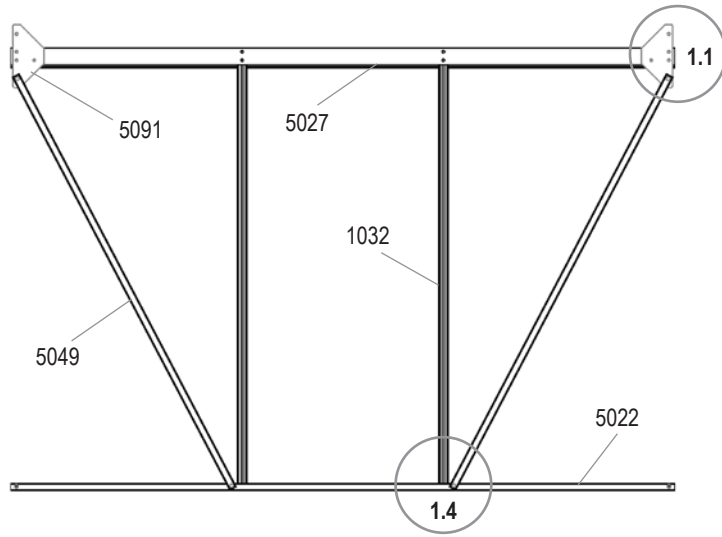
|   | 5000    | 6700    | 8300    | 9900    | 11500   |
|---|---------|---------|---------|---------|---------|
| A | 1922 mm | 2544 mm | 3166 mm | 3788 mm | 4410 mm |
| B | 2544 mm | 2544 mm | 2544 mm | 2544 mm | 2544 mm |

VM0006-DS

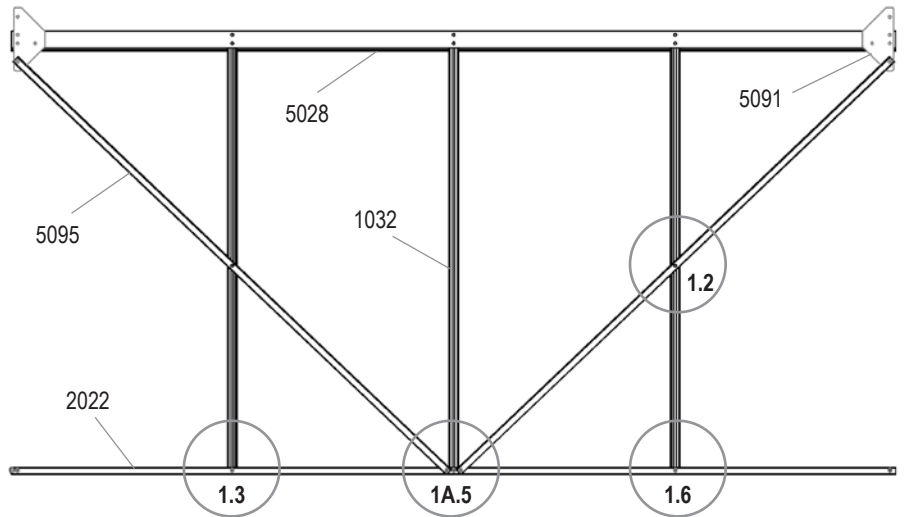
# 1A



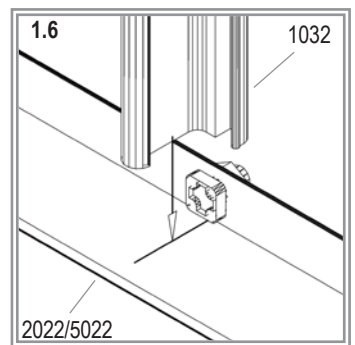
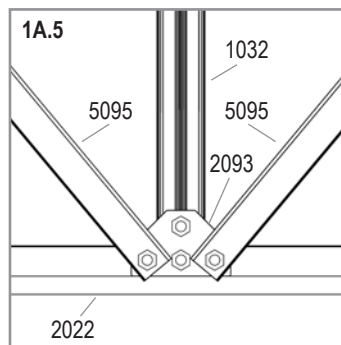
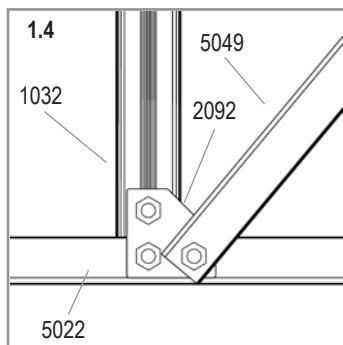
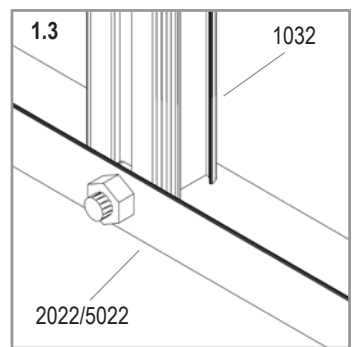
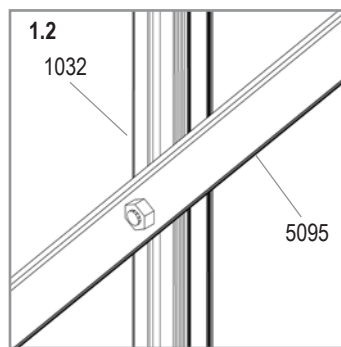
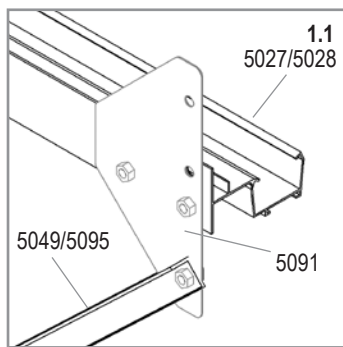
**5000**  
**2x**



**6700**  
**2x**



|       |       |
|-------|-------|
| 5000  | 6700  |
| 1001  |       |
| 14x 2 | 17x 2 |
| 1002  |       |
| 14x 2 | 17x 2 |
| 1032  |       |
| 2x 2  | 3x 2  |
| 2022  |       |
| -     | 1x 2  |
| 2092  |       |
| 2x 2  | -     |
| 2093  |       |
| -     | 1x 2  |
| 5022  |       |
| 1x 2  | -     |
|       |       |
| 5027  | 5028  |
| 1x 2  | 1x 2  |
| 5049  |       |
| 2x 2  | -     |
| 5091  |       |
| 2x 2  | 2x 2  |
| 5095  |       |
| -     | 2x 2  |



**VM0006-DS**

# 1B



|      |      |       |
|------|------|-------|
| 8300 | 9900 | 11500 |
|------|------|-------|

|      |  |  |
|------|--|--|
| 1001 |  |  |
|------|--|--|

|       |       |       |
|-------|-------|-------|
| 20x 2 | 22x 2 | 24x 2 |
|-------|-------|-------|

|      |  |  |
|------|--|--|
| 1002 |  |  |
|------|--|--|

|       |       |       |
|-------|-------|-------|
| 20x 2 | 22x 2 | 24x 2 |
|-------|-------|-------|

|      |  |  |
|------|--|--|
| 1032 |  |  |
|------|--|--|

|      |      |      |
|------|------|------|
| 4x 2 | 5x 2 | 6x 2 |
|------|------|------|

|  |  |  |
|--|--|--|
|  |  |  |
|--|--|--|

|      |      |      |
|------|------|------|
| 2023 | 2024 | 2025 |
|------|------|------|

|      |      |      |
|------|------|------|
| 1x 2 | 1x 2 | 1x 2 |
|------|------|------|

|      |  |  |
|------|--|--|
| 2092 |  |  |
|------|--|--|

|      |      |      |
|------|------|------|
| 2x 2 | 2x 2 | 2x 2 |
|------|------|------|

|  |  |  |
|--|--|--|
|  |  |  |
|--|--|--|

|      |      |      |
|------|------|------|
| 5029 | 5030 | 5031 |
|------|------|------|

|      |      |      |
|------|------|------|
| 1x 2 | 1x 2 | 1x 2 |
|------|------|------|

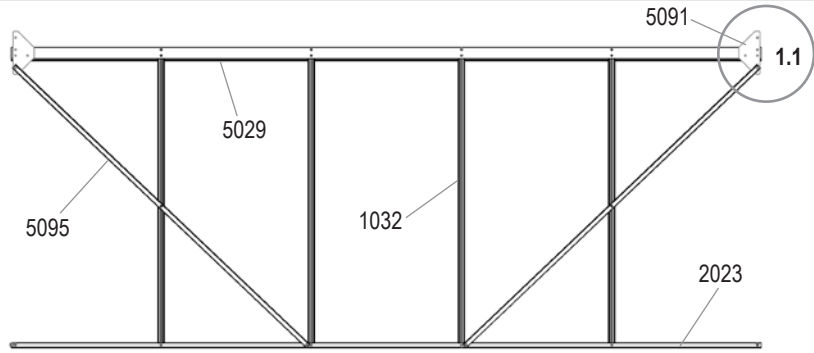
|      |  |  |
|------|--|--|
| 5091 |  |  |
|------|--|--|

|      |      |      |
|------|------|------|
| 2x 2 | 2x 2 | 2x 2 |
|------|------|------|

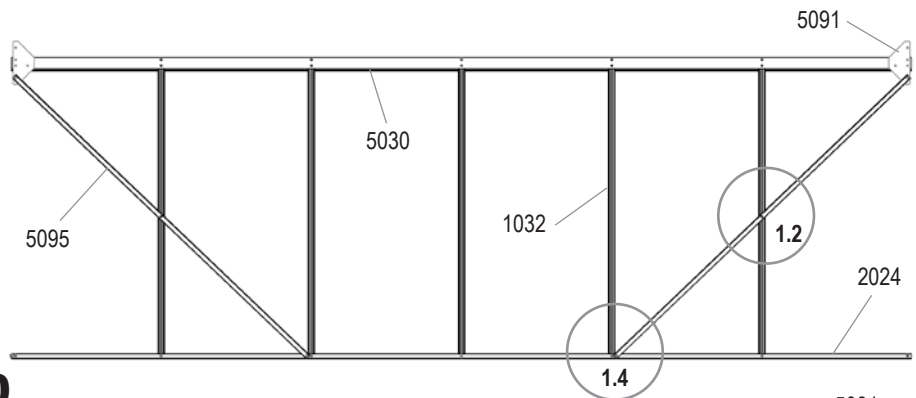
|      |  |  |
|------|--|--|
| 5095 |  |  |
|------|--|--|

|      |      |      |
|------|------|------|
| 2x 2 | 2x 2 | 2x 2 |
|------|------|------|

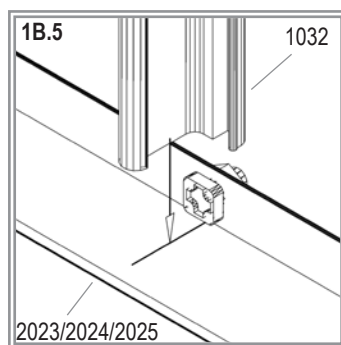
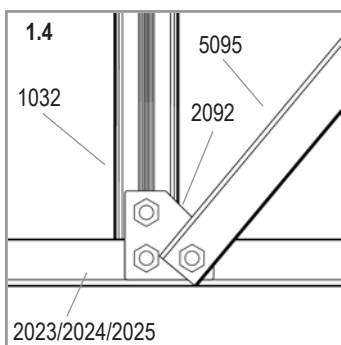
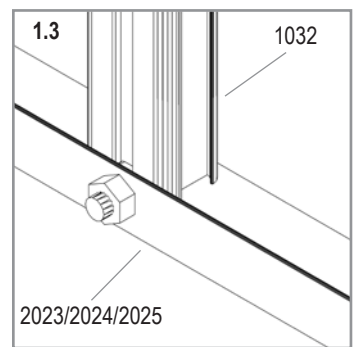
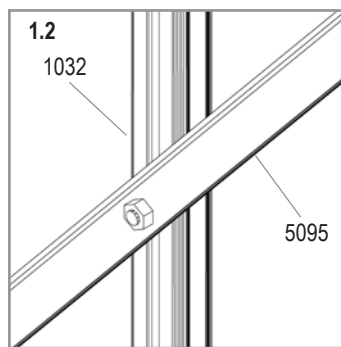
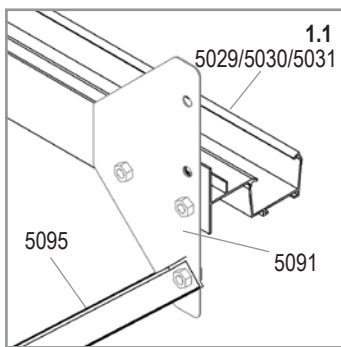
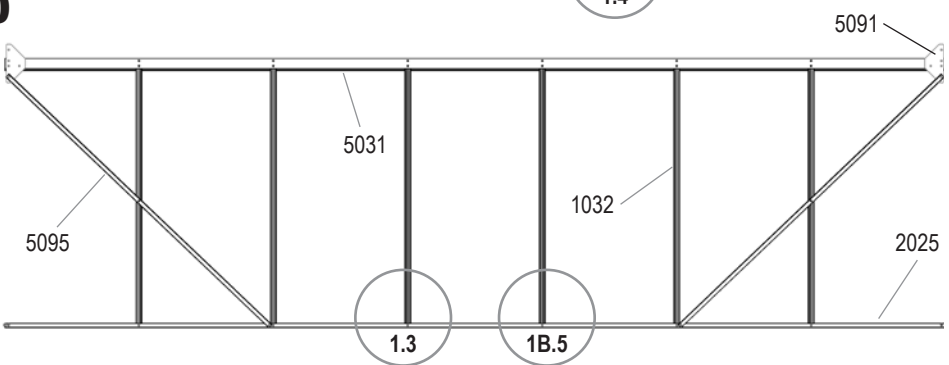
**8300**  
**2x**



**9900**  
**2x**



**11500**  
**2x**

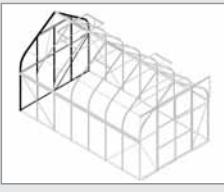


VM0006-DS

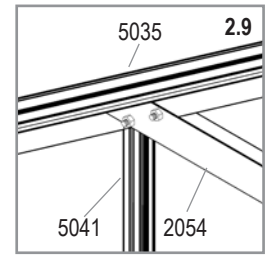
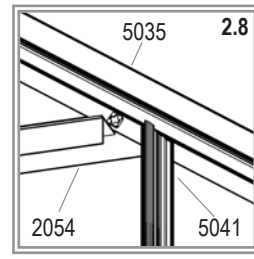
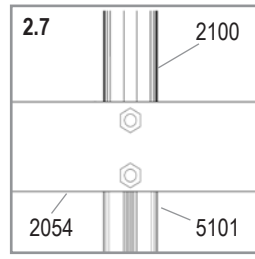
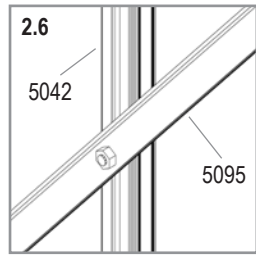
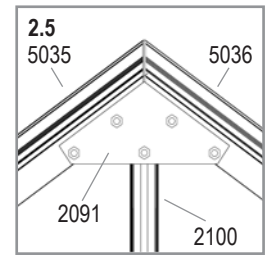
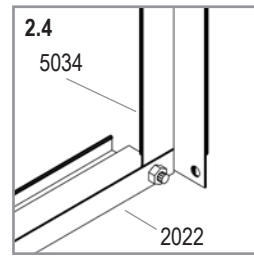
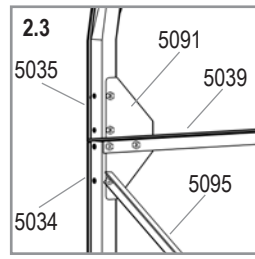
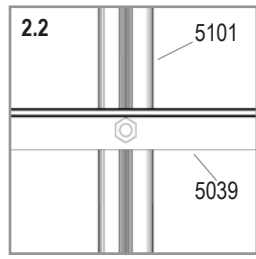
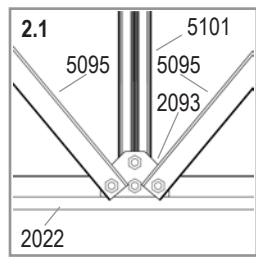
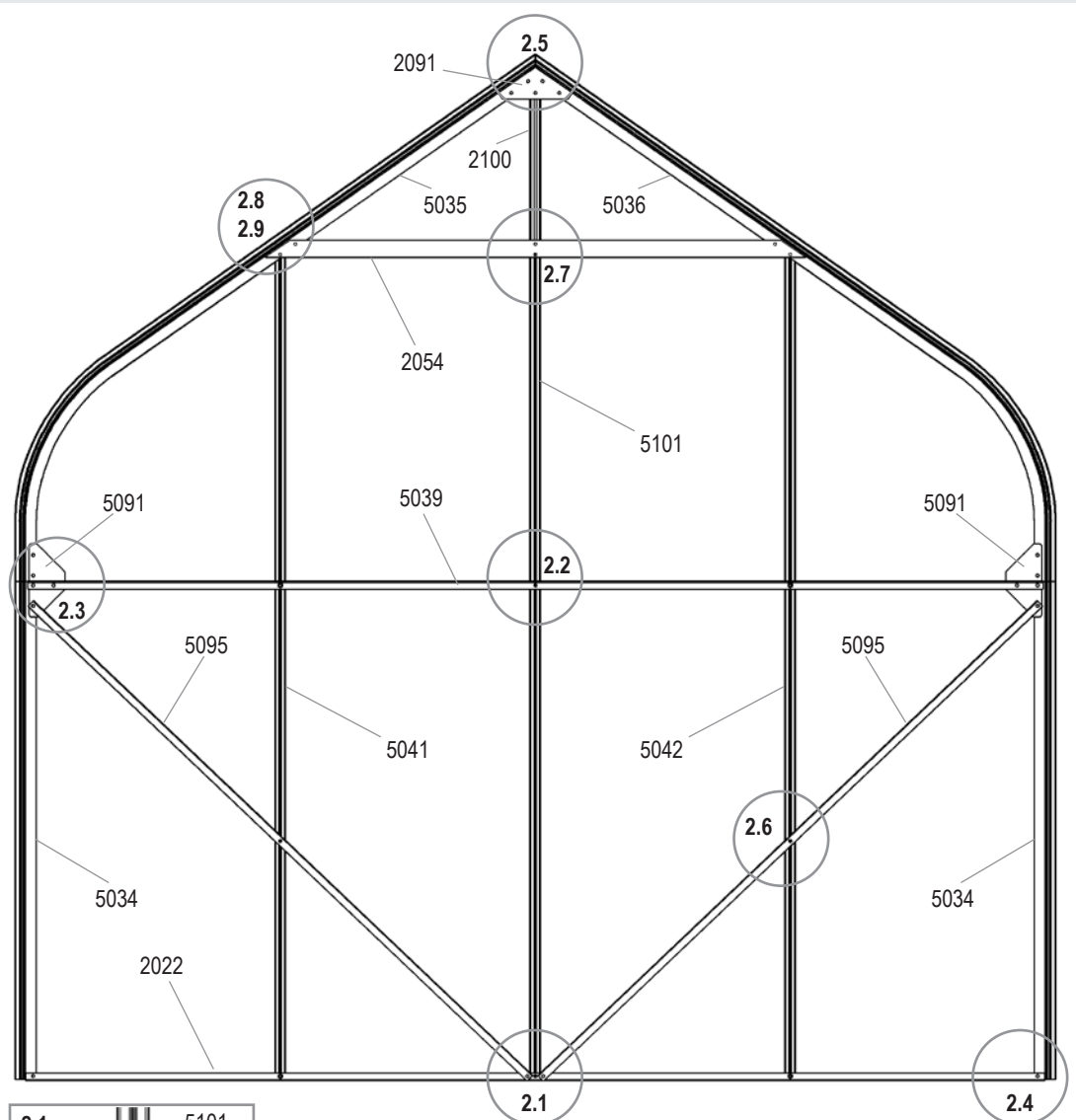
2023/2024/2025

2023/2024/2025

# 2

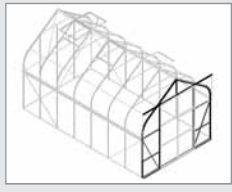


- 1001 34x
- 1002 34x
- 2022 1x
- 2054 1x
- 2091 1x
- 2093 1x
- 2100 1x
- 5034 2x
- 5035 1x
- 5036 1x
- 5039 1x
- 5041 1x
- 5042 1x
- 5091 2x
- 5095 2x
- 5101 1x

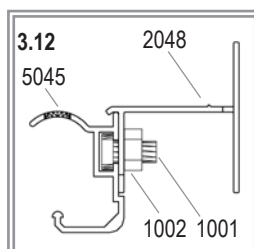
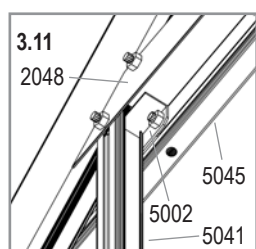
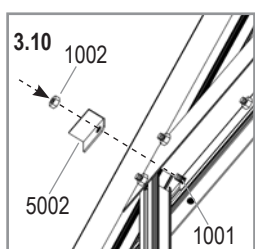
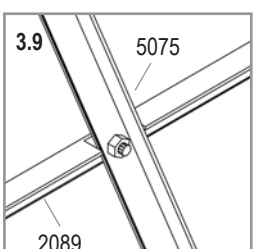
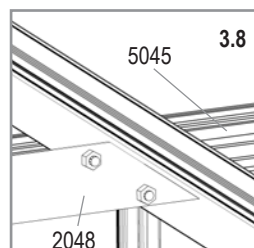
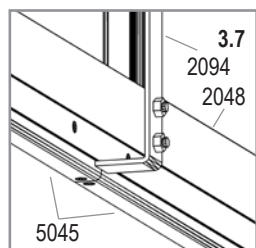
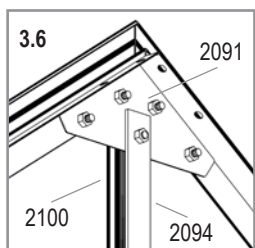
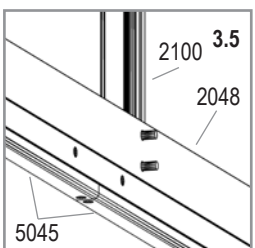
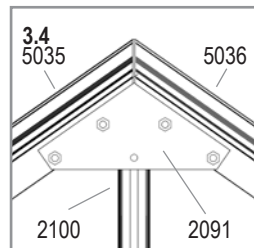
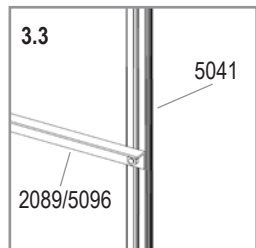
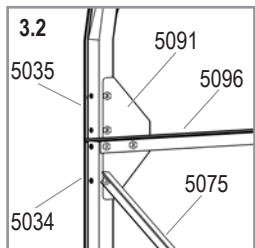
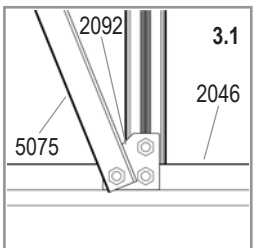
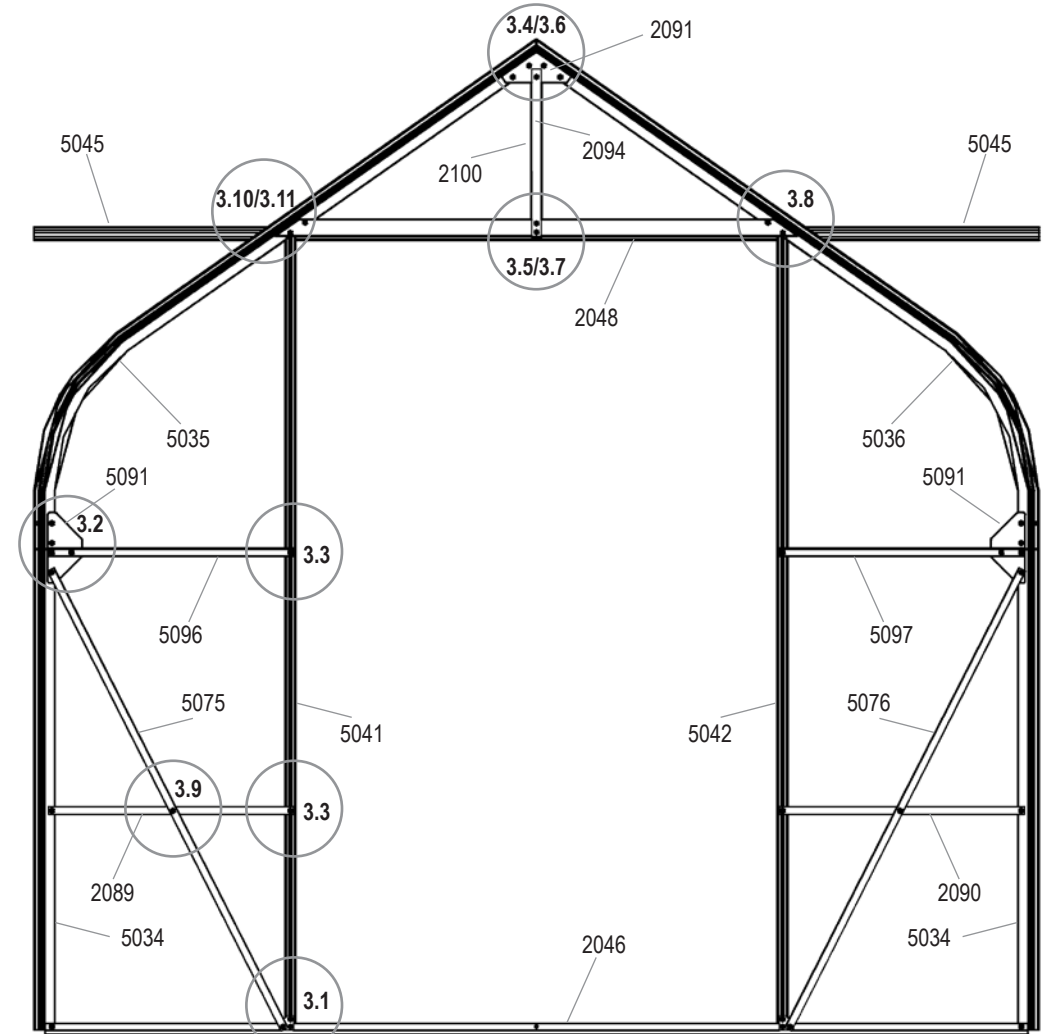


VM0006-DS

# 3



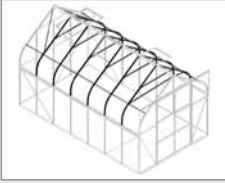
- 1001 43x
- 1002 43x
- 2046 1x
- 2048 1x
- 2089 1x
- 2090 1x
- 2091 1x
- 2092 2x
- 2094 1x
- 2100 1x
- 5001 1x
- 5002 1x
- 5034 2x
- 5035 1x
- 5036 1x
- 5041 1x
- 5042 1x
- 5045 2x
- 5075 1x
- 5076 1x
- 5091 2x
- 5096 1x
- 5097 1x



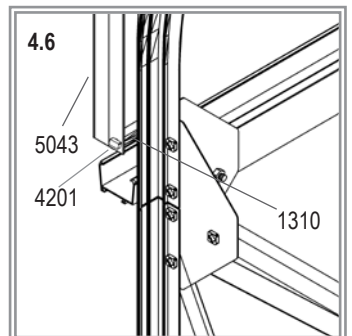
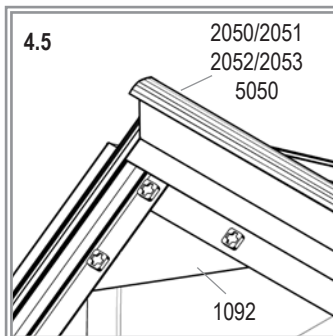
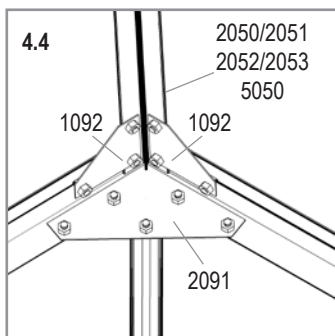
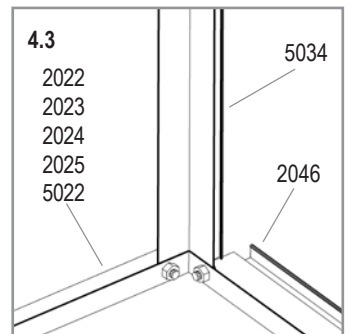
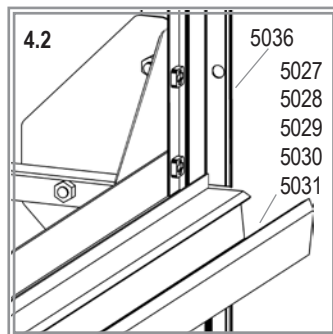
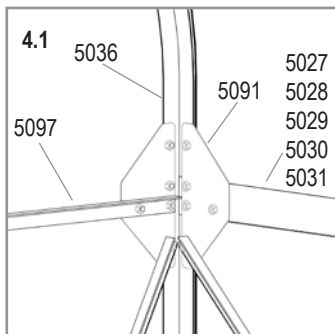
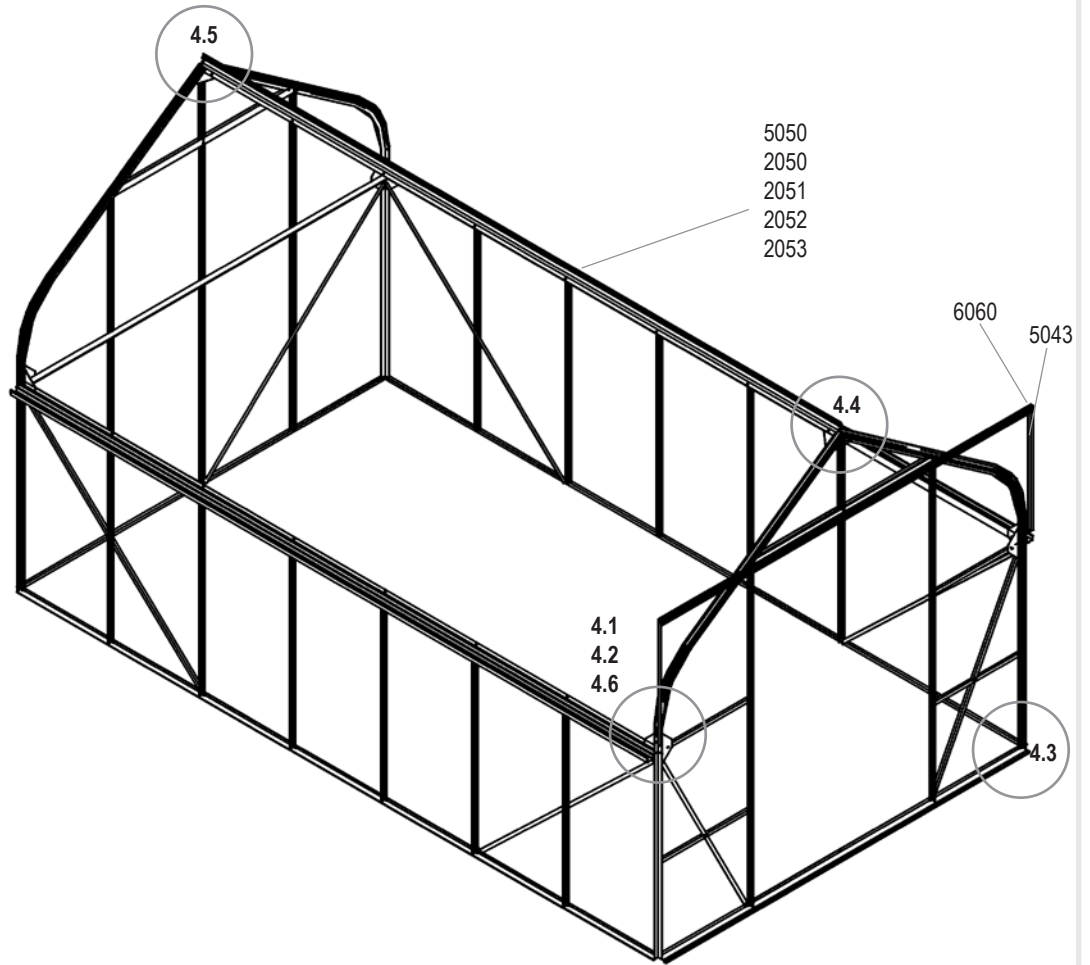
VM0006-DS



# 4A










|      |      |      |      |       |
|------|------|------|------|-------|
| 5000 | 6700 | 8300 | 9900 | 11500 |
| 1001 |      |      |      |       |
| 26x  | 26x  | 26x  | 26x  | 26x   |
| 1002 |      |      |      |       |
| 28x  | 28x  | 28x  | 28x  | 28x   |
| 1092 |      |      |      |       |
| 4x   | 4x   | 4x   | 4x   | 4x    |
| 1310 |      |      |      |       |
| 2x   | 2x   | 2x   | 2x   | 2x    |
| 5050 | 2050 | 2051 | 2052 | 2053  |
| 1x   | 1x   | 1x   | 1x   | 1x    |
| 4201 |      |      |      |       |
| 2x   | 2x   | 2x   | 2x   | 2x    |
| 5043 |      |      |      |       |
| 2x   | 2x   | 2x   | 2x   | 2x    |
| 6060 |      |      |      |       |
| 2x   | 2x   | 2x   | 2x   | 2x    |

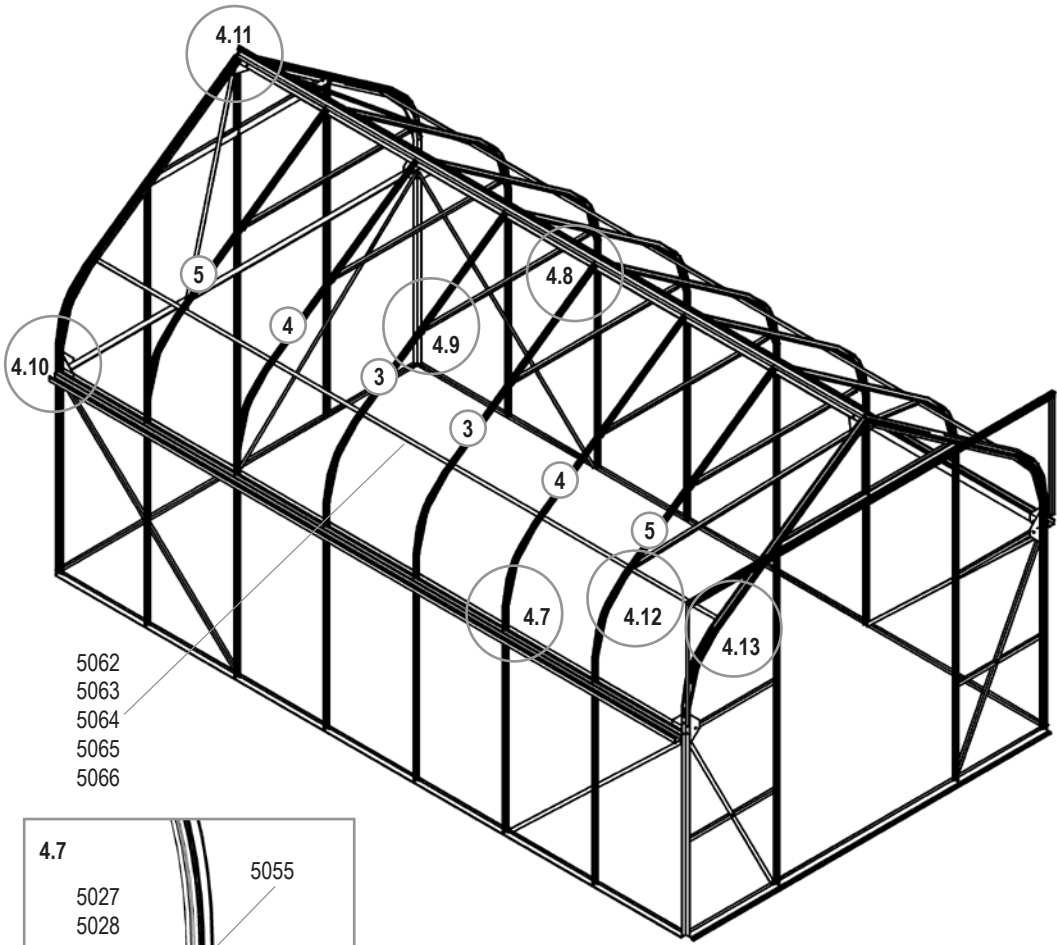


VM0006-DS

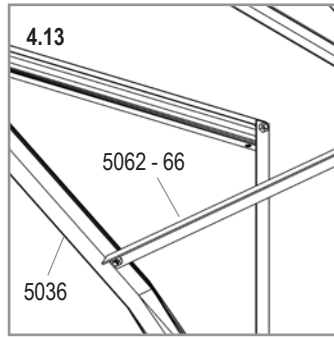
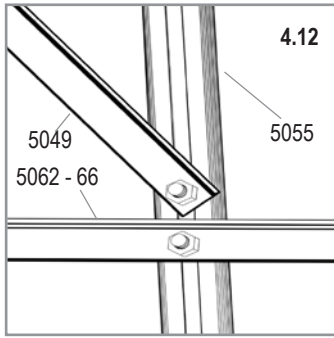
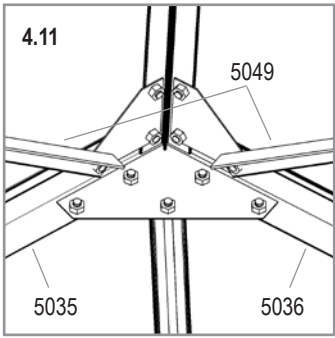
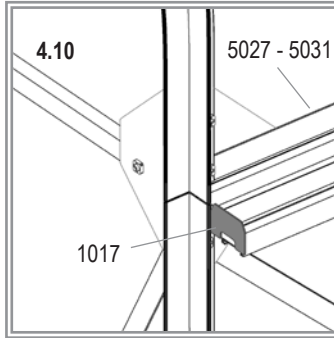
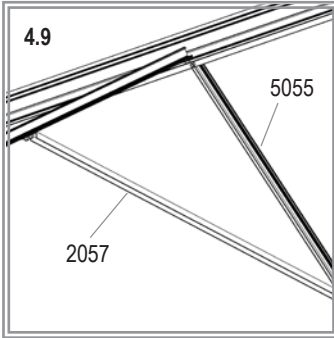
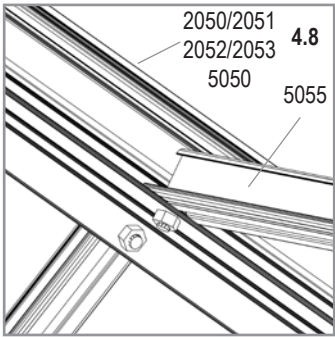
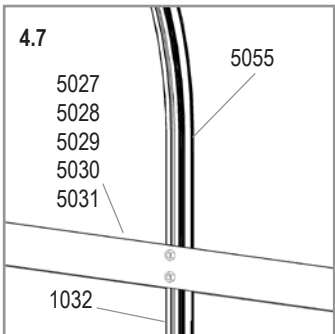
# 4B



|  |      |      |      |       |
|--|------|------|------|-------|
| 5000   | 6700 | 8300 | 9900 | 11500 |
| 1001    |      |      |      |       |
| 28x  | 42x  | 52x  | 66x  | 76x   |
| 1002    |      |      |      |       |
| 28x  | 42x  | 52x  | 66x  | 76x   |
| 1017    |      |      |      |       |
| 4x   | 4x   | 4x   | 4x   | 4x    |
| 2057    |      |      |      |       |
| 2x   | 3x   | 4x   | 5x   | 6x    |
| 5049   |      |      |      |       |
| 4x   | 4x   | 4x   | 4x   | 4x    |
| 5055  |      |      |      |       |
| 4x   | 6x   | 8x   | 10x  | 12x   |
|       |      |      |      |       |
| 5062   | 5063 | 5064 | 5065 | 5066  |
| 2x   | 2x   | 2x   | 2x   | 2x    |

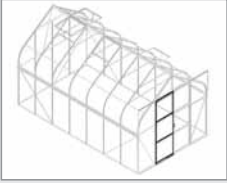


5062  
5063  
5064  
5065  
5066



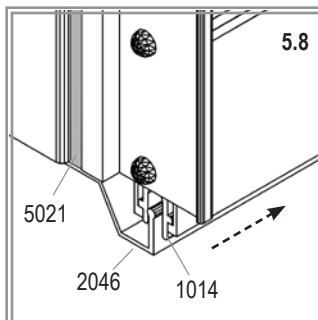
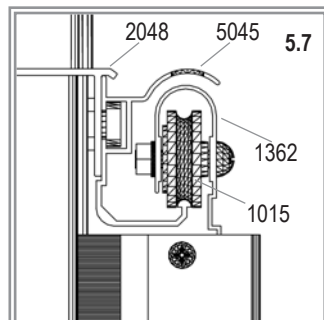
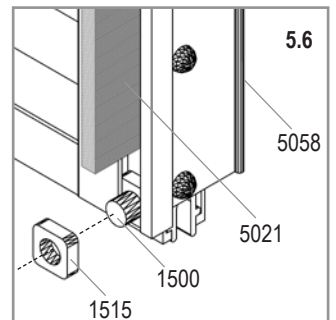
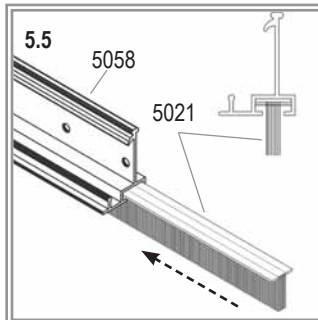
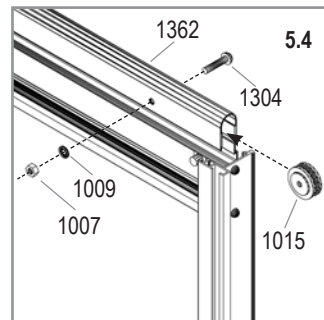
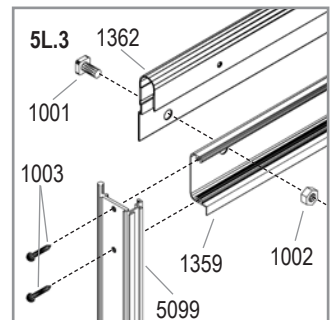
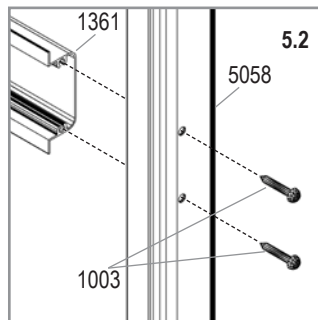
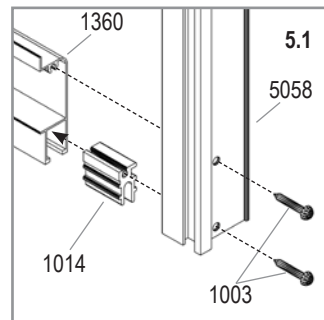
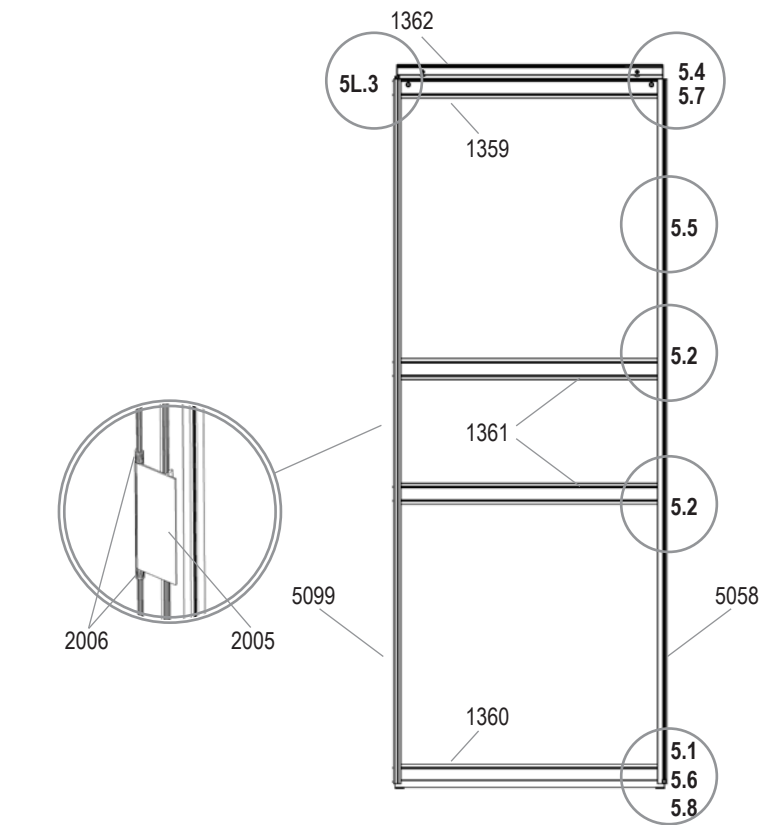
VM0006-DS

# 5L

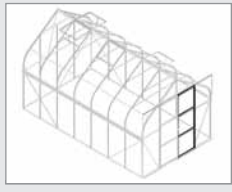


- 1001 2x
- 1002 2x
- 1003 16x
- 1007 2x
- 1009 2x
- 1014 2x
- 1015 2x
- 1304 2x
- 1359 1x
- 1360 1x
- 1361 2x
- 1362 1x
- 1500 1x
- 1515 1x
- 2005 1x
- 2006 2x
- 5021 1x
- 5058 1x
- 5099 1x

VM0006-DS

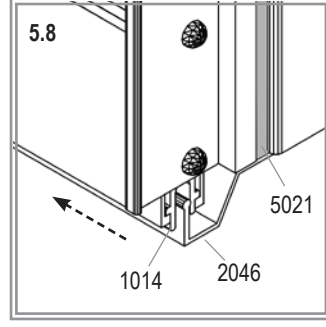
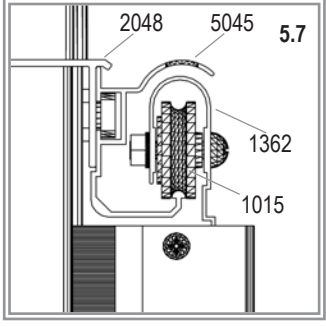
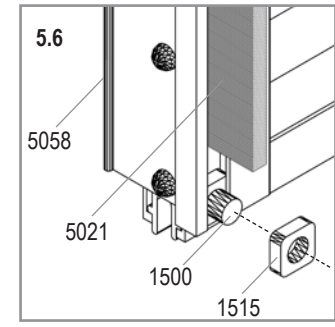
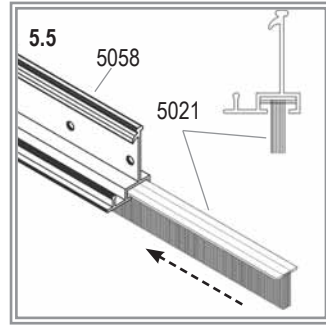
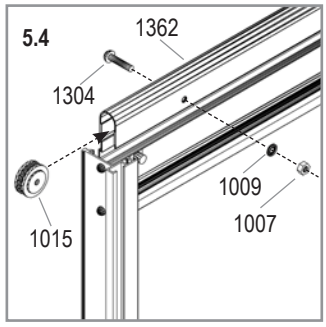
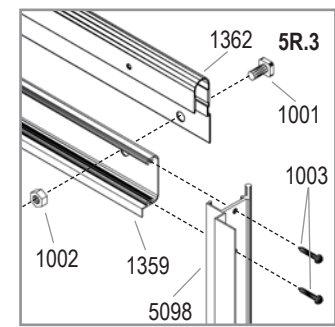
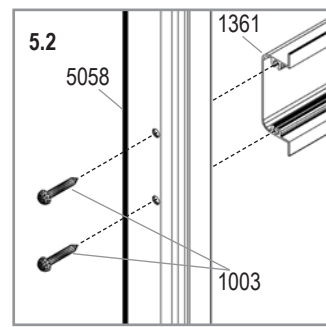
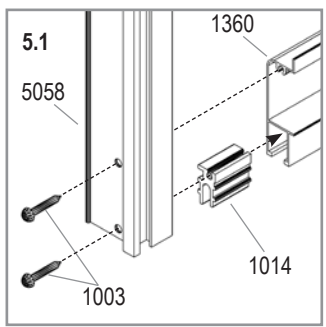
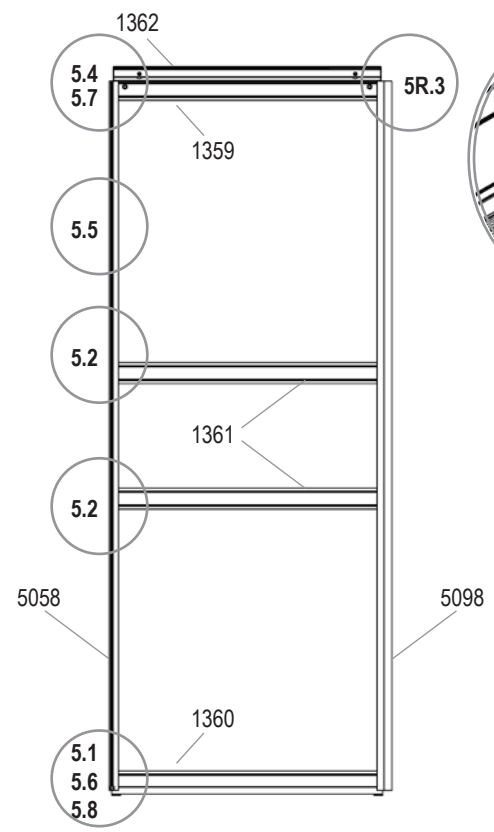


# 5R



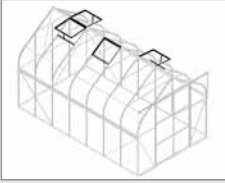
- 1001 2x
- 1002 3x
- 1003 16x
- 1007 2x
- 1009 2x
- 1014 2x
- 1015 2x
- 1304 2x
- 1359 1x
- 1360 1x
- 1361 2x
- 1362 1x
- 1500 1x
- 1515 1x
- 2001 1x
- 5021 1x
- 5058 1x
- 5098 1x

VM0006-DS

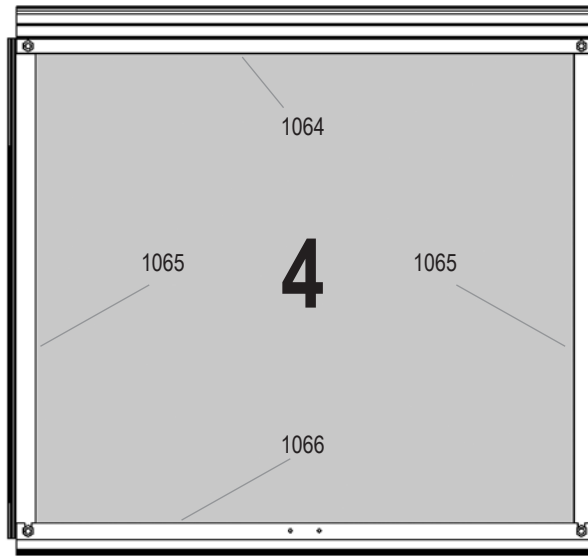




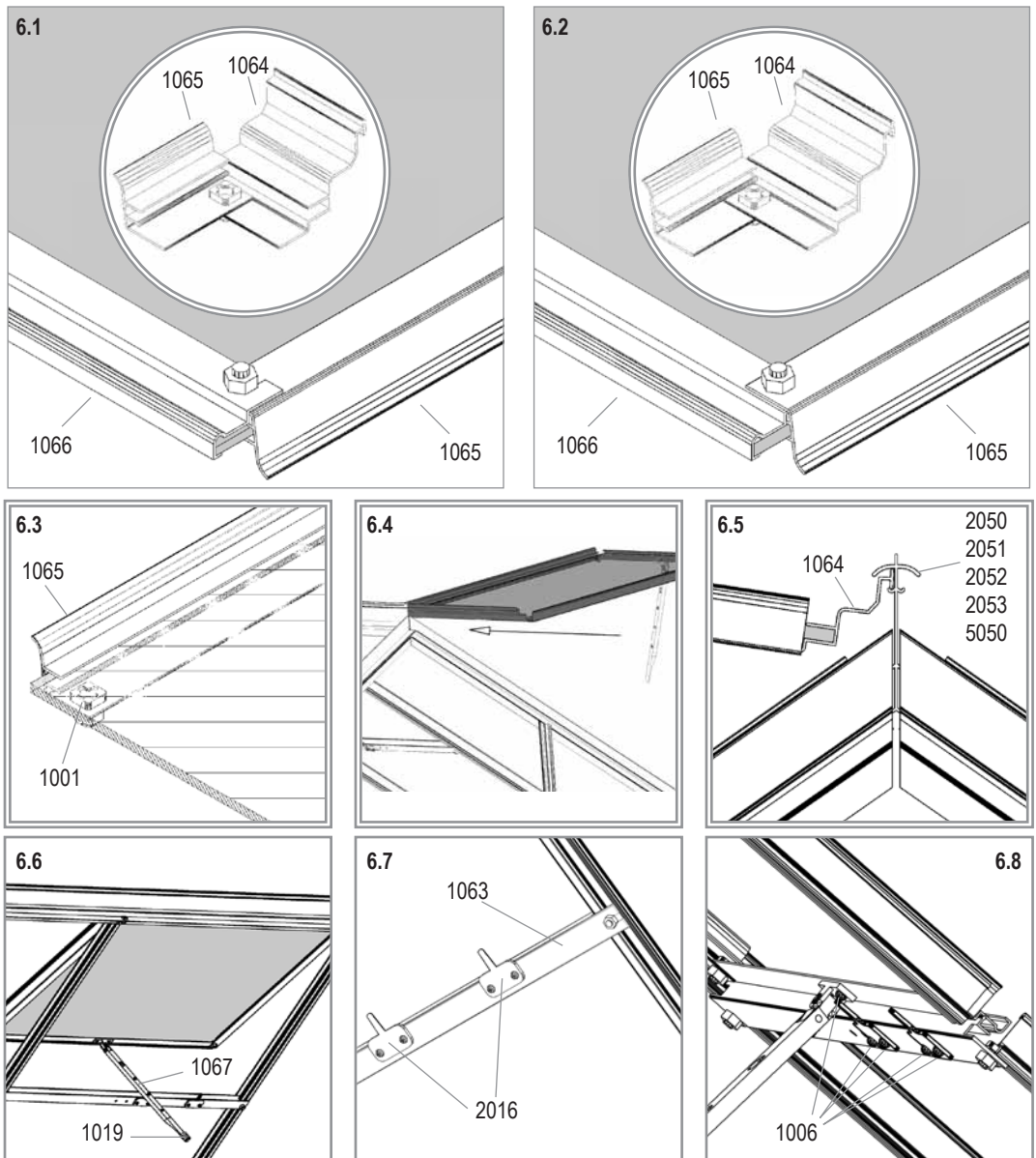
# 6



| 5000 | 6700 | 8300 | 9900 | 11500 |
|------|------|------|------|-------|
| 1x   | 2x   | 2x   | 4x   | 4x    |
| 1001 |      |      |      |       |
| 4x   | 8x   | 8x   | 16x  | 16x   |
| 1002 |      |      |      |       |
| 4x   | 8x   | 8x   | 16x  | 16x   |
| 1006 |      |      |      |       |
| 6x   | 12x  | 12x  | 24x  | 24x   |
| 1019 |      |      |      |       |
| 1x   | 2x   | 2x   | 4x   | 4x    |
| 1063 |      |      |      |       |
| 1x   | 2x   | 2x   | 4x   | 4x    |
| 1064 |      |      |      |       |
| 1x   | 2x   | 2x   | 4x   | 4x    |
| 1065 |      |      |      |       |
| 2x   | 4x   | 4x   | 8x   | 8x    |
| 1066 |      |      |      |       |
| 1x   | 2x   | 2x   | 4x   | 4x    |
| 1067 |      |      |      |       |
| 1x   | 2x   | 2x   | 4x   | 4x    |
| 2016 |      |      |      |       |
| 2x   | 4x   | 4x   | 8x   | 8x    |



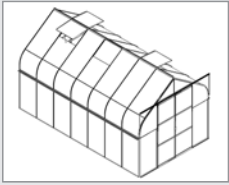
|   | Art. No. | mm        | 5000 | 6700 | 8300 | 9900 | 11500 |
|---|----------|-----------|------|------|------|------|-------|
| 4 | 3679491  | 600 x 544 | 1x   | 2x   | 4x   | 4x   | 4x    |



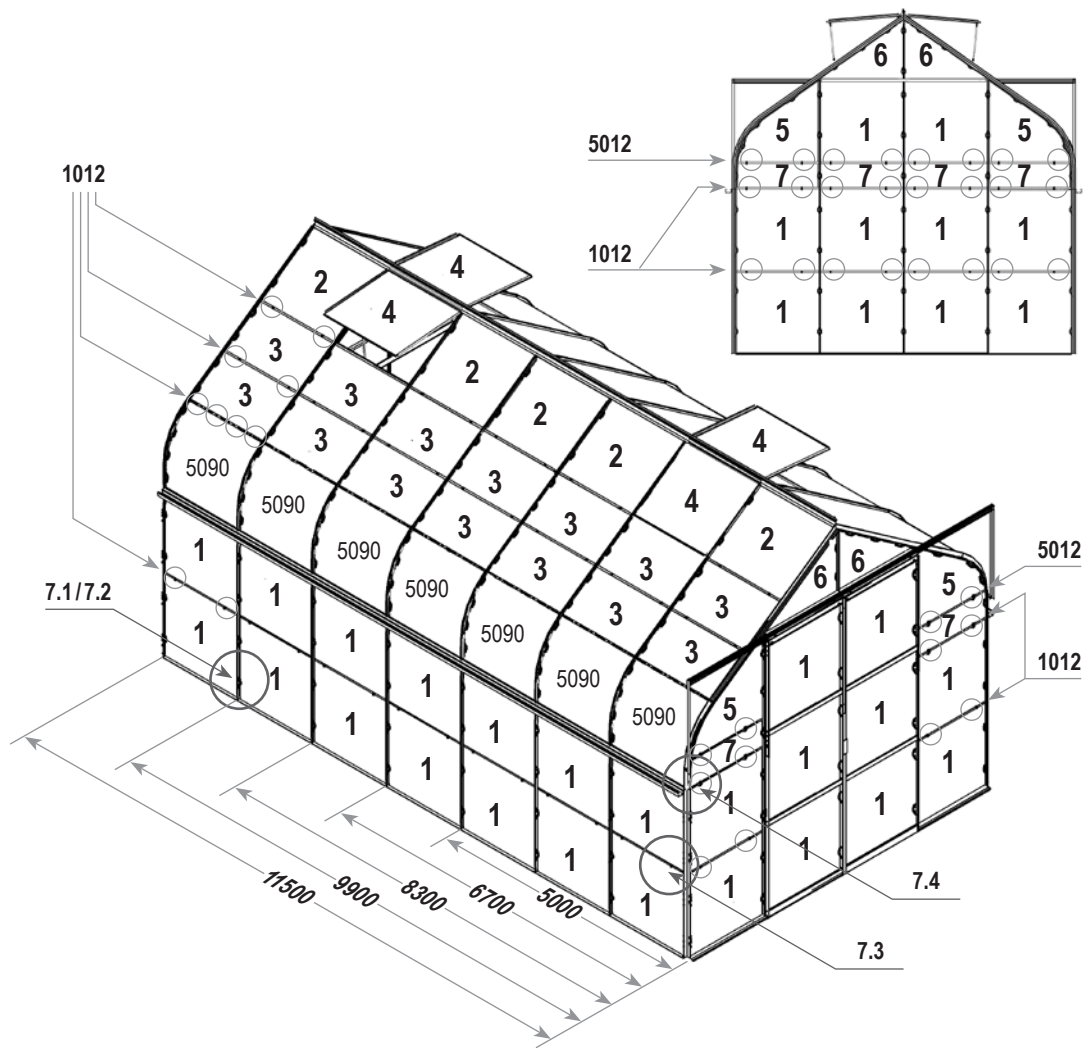
VM0006-DS



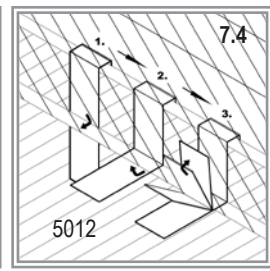
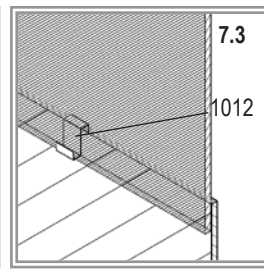
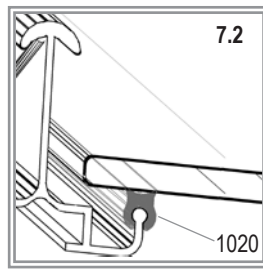
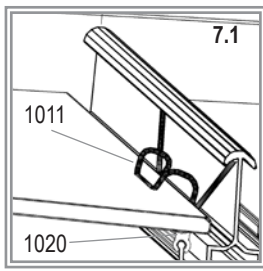
# 7A



|      |      |      |      |       |
|------|------|------|------|-------|
| 5000 | 6700 | 8300 | 9900 | 11500 |
| 1011 |      |      |      |       |
| 296x | 348x | 404x | 452x | 508x  |
| 1012 |      |      |      |       |
| 82x  | 100x | 120x | 136x | 156x  |
| 1020 |      |      |      |       |
| 1x   | 1x   | 1x   | 1x   | 1x    |
| 5012 |      |      |      |       |
| 12x  | 12x  | 12x  | 12x  | 12x   |
| 5090 |      |      |      |       |
| 6x   | 8x   | 10x  | 12x  | 14x   |

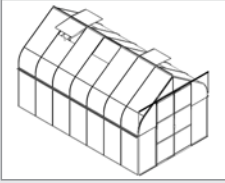


|              | No.     | mm              | 5000       | 6700       | 8300       | 9900        | 11500       |
|--------------|---------|-----------------|------------|------------|------------|-------------|-------------|
| 1            | 3679011 | 610 x 610       | 32x        | 36x        | 40x        | 44x         | 48x         |
| 2            | 3679412 | 610 x 549       | 5x         | 6x         | 8x         | 8x          | 10x         |
| 3            | 3679431 | 610 x 373       | 12x        | 16x        | 20x        | 24x         | 28x         |
| 4            | 3679491 | 600 x 544       | 1x         | 2x         | 2x         | 4x          | 4x          |
| 5            | 3679532 | 607 x 610 curve | 4x         | 4x         | 4x         | 4x          | 4x          |
| 6            | 3679541 | 610 x 8 / 434   | 4x         | 4x         | 4x         | 4x          | 4x          |
| 7            | 3679552 | 610 x 229       | 6x         | 6x         | 6x         | 6x          | 6x          |
| 5090         | 3679015 | 610 x 610 x 1.6 | 6x         | 8x         | 10x        | 12x         | 14x         |
| <b>Total</b> |         |                 | <b>70x</b> | <b>82x</b> | <b>94x</b> | <b>106x</b> | <b>118x</b> |

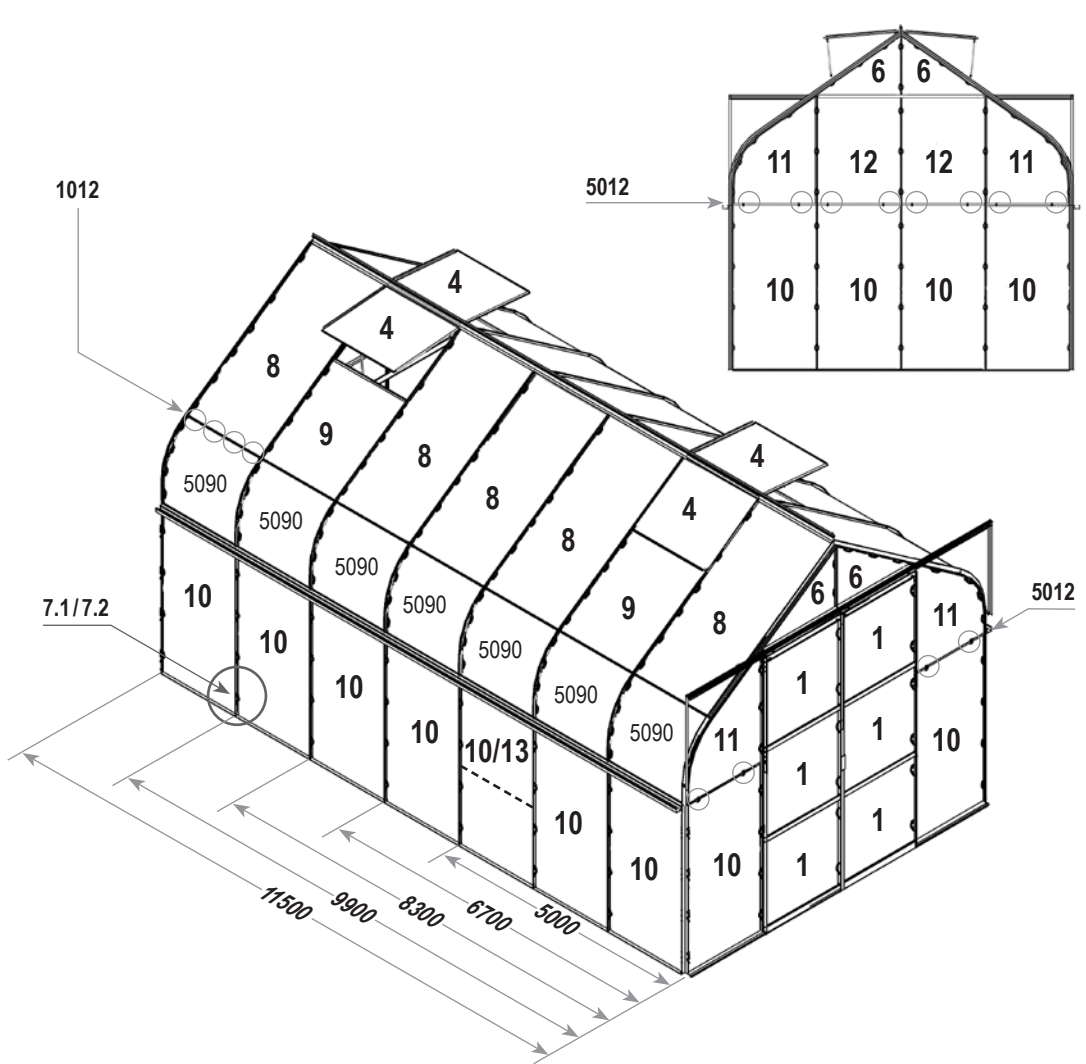


VM0006-DS

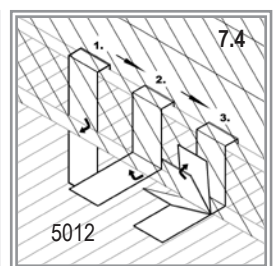
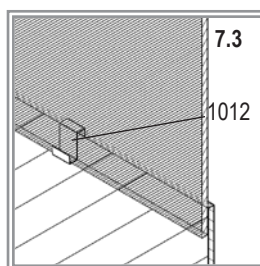
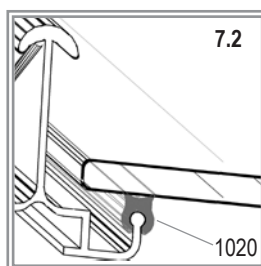
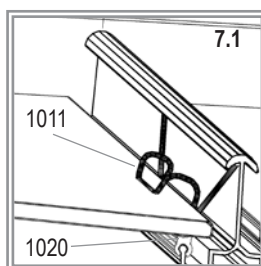
# 7B



|      |      |      |      |       |
|------|------|------|------|-------|
| 5000 | 6700 | 8300 | 9900 | 11500 |
| 1011 |      |      |      |       |
| 296x | 348x | 404x | 452x | 508x  |
| 1012 |      |      |      |       |
| 24x  | 32x  | 40x  | 48x  | 56x   |
| 1020 |      |      |      |       |
| 1x   | 1x   | 1x   | 1x   | 1x    |
| 5012 |      |      |      |       |
| 12x  | 12x  | 12x  | 12x  | 12x   |
| 5090 |      |      |      |       |
| 6x   | 8x   | 10x  | 12x  | 14x   |



|              | No.     | mm                    | 5000       | 6700       | 8300       | 9900       | 11500      |
|--------------|---------|-----------------------|------------|------------|------------|------------|------------|
| 1            | 3679011 | 610 x 610             | 6x         | 6x         | 6x         | 6x         | 6x         |
| 4            | 3679491 | 600 x 544             | 1x         | 2x         | 2x         | 4x         | 4x         |
| 6            | 3679541 | 610 x 8 / 434         | 4x         | 4x         | 4x         | 4x         | 4x         |
| 8            | 3679501 | 610 x 1280            | 5x         | 6x         | 8x         | 8x         | 10x        |
| 9            | 3679511 | 610 x 736             | 1x         | 2x         | 2x         | 4x         | 4x         |
| 10           | 3679521 | 610 x 1211            | 12x        | 14x        | 16x        | 18x        | 20x        |
| 11           | 3679531 | 610 x 168 / 833 curve | 4x         | 4x         | 4x         | 4x         | 4x         |
| 12           | 3679551 | 610 x 833             | 2x         | 2x         | 2x         | 2x         | 2x         |
| 13           | 3679561 | 610 x 753             | 1x         | 1x         | 1x         | 1x         | 1x         |
| 5090         | 3679015 | 610 x 610 x 1.6       | 6x         | 8x         | 10x        | 12x        | 14x        |
| <b>Total</b> |         |                       | <b>42x</b> | <b>49x</b> | <b>55x</b> | <b>63x</b> | <b>69x</b> |



VM0006-DS



E.P.H. Schmidt u. Co. GmbH  
Hoefkerstrasse 30  
44149 Dortmund  
Postfach 170163  
44060 Dortmund  
Deutschland  
Tel.: +49 231 941655 0  
Fax: +49 231 941655 99  
[www.eph-schmidt.de](http://www.eph-schmidt.de)  
[verkauf@eph-schmidt.de](mailto:verkauf@eph-schmidt.de)

OPJ A/S  
Volderslevvej 36 A  
5260 Odense S  
Danmark  
Tel.: +45 66 15 10 30  
Fax: +45 66 15 00 84  
[www.opj.dk](http://www.opj.dk)  
[opj@opj.dk](mailto:opj@opj.dk)